

NOTES1:

- 1. Rated voltage/current : 300V / 8A
- 2. Withstanding voltage : AC1600V/1Min.

IEC Standard

1. Pollution degree	2	2	3
Overvoltage category	II	III	III
Rate impulse voltage(KV)	2.5KV	2.5KV	2.5KV
Rate voltage(V)	320V	250V	160V
Rate current(A)	7A		

NOTES2:

- 1. Dimension shall be interpreted per ASME Y14.5-2009
- 2. Pitch : 3.50mm, Poles : N=02~24P
- 3. Operating temperature: -40°C~+105°C
- 4. Undimensioned tolerances:

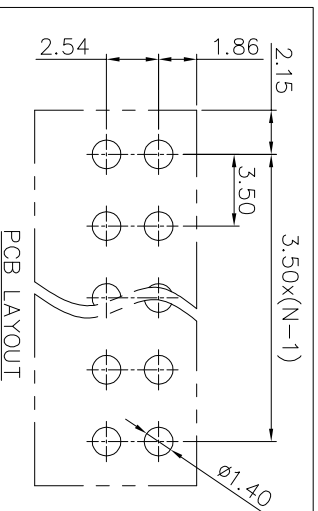
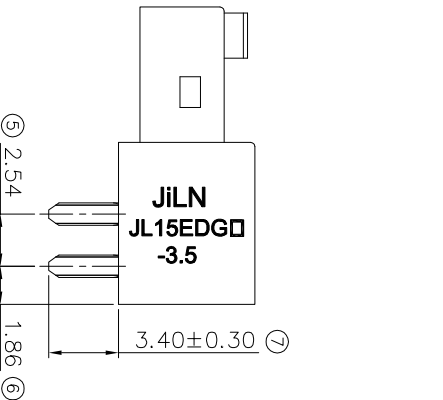
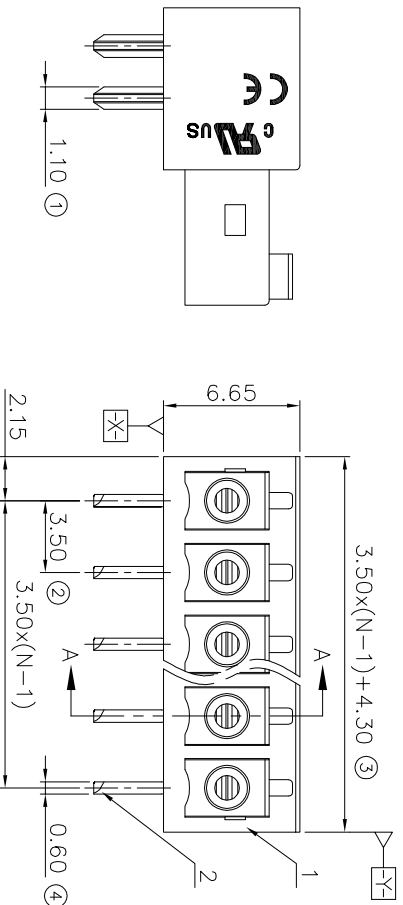
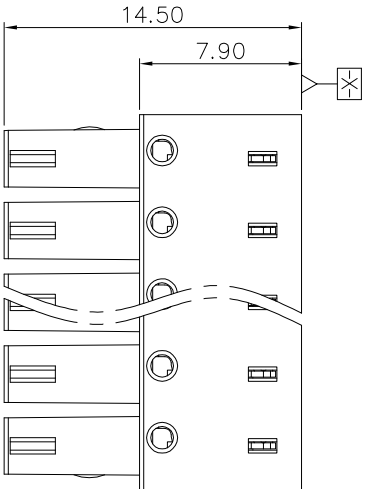
Pitch range in mm	Nominal dimension range in mm			Tolerance	
	Over	TO	Under		
6	TO	30	60	0.1/10	
10	TO	30	100	∠	
24	TO	60	100	∠	
30	TO	60	150	∠	
±0.15,±0.20	±0.30	±0.50	±0.70	±1.00, ±1.30	±2'

5. RoHS Compliance

Ordering Information

JL15EDGA-350 XX G 0 1

Pitch 350=3.50PH
No of pins 2P,3P,4P-24P
Housing Color G=Black
B=Green
U=Blue
V=White
Y=Yellow
D=Orange
E=Grey
Packing Q=Tube
R=Box
A=Tray



REVISION RECORD				
REV	ECN	DESCRIPTION	DRFT	DATE
A0		NEW		21.04.13

2	Clamp	Copper alloy	Sn Plated
1	Housing	PA66	UL94V-0
ITEM	NAME OF PART	MATERIAL	NOTES

DRAW	SHUANGPING ZHENG	SCALE	FIT	PART NO.	JL15EDGA-350XXG01
CHECK	LICHAD LIU	UNIT	mm		
APPROVE	YONGLIANG GAO	SIZE	A4	TITLE:	JL15EDGA-350-XXP 插拔式母座/弯脚/绿色
		SHEET	1/1		
		PRD			

JILIN 东莞市锦凌电子有限公司
DONGGUAN JINLING ELECTRONIC CO., LTD