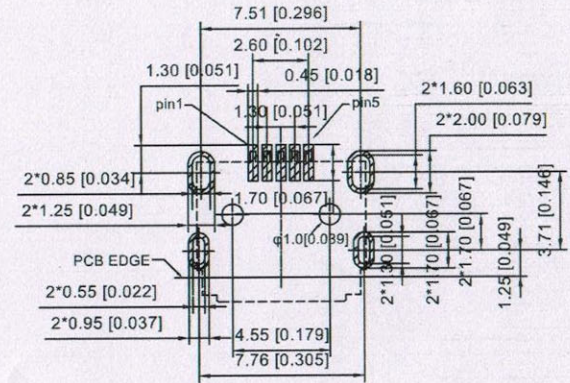
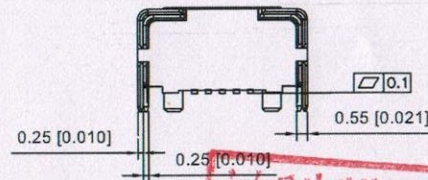
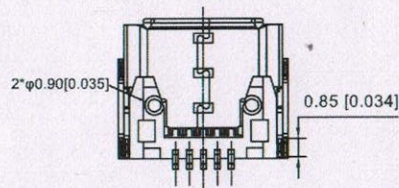
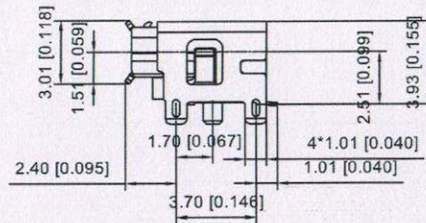
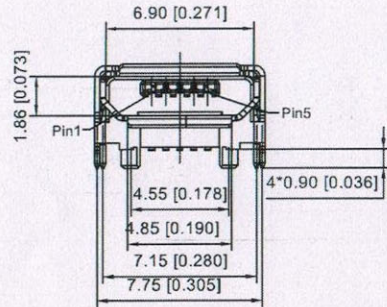


Material
 Housing Material: LCP, UL94V-0, black
 Contact Terminal: Copper Alloy
 Metallic Shell: Sus
 Electrical
 Voltage Rating: 30 V AC
 Current Rating: Signal (Pins 2,3,4): 1.0A, Power (Pins 1,5): 1.8A
 Contact Resistance: 30mΩ Max
 Insulation resistance: 1000MΩ Min
 Dielectric withstanding voltage: 250V AC/Minute
 Mechanical
 Durability: 10,000 cycles
 Mating Force: 35N (3.57Kgf) Max
 Unmating Force: 8N (0.82Kgf) Min.



RECOMMENDED PCB LAYOUT
 TOP VIEW(.XX±0.05)

广东星坤科技股份有限公司
 文件工程

AUTODESK

AUTODESK

				DSND	DATE	SCALE: N/A	MODEL TYPE: MICRO USB		
ΔX			ANGLAR	DWN	DATE	VIEW:	PART NO.:		
ΔX			L ≤ 4 ±0.2	CHKD	DATE	UNIT: mm/in	DWG NO.:		
ΔX			4 < L ≤ 16 ±0.3	APPD	DATE	SIZE: A4	U-D-M7DS-G-2		
MARK	DESCRIPTION	DATE	REVISED	APPROVED			UNSPECIFIED TOLERANCES		
				KXB INDUSTRIAL PRECISION CO., LIMITED			WEIGHT 1.0g	SHEET 1/1	REVISION A0