

# HC-STA-B16-HHFS-1TTP29-EL-AL - Housing



1412702

<https://www.phoenixcontact.com/us/products/1412702>

Please be informed that the data shown in this PDF document is generated from our online catalog. Please find the complete data in the user documentation. Our general terms of use for downloads are valid.



Sleeve housing B16, for single locking latch, material: Die-cast aluminum, salt water resistant, cable outlets: 1, straight, 1x Pg29, height: 76 mm, cable gland: none, Standard

## Your advantages

- Good shielding in the event of electromagnetic interference

## Commercial data

Item number	1412702
Packing unit	1 pc
Minimum order quantity	1 pc
Sales key	BF56
Product key	BF7APB
Catalog page	Page 620 (C-2-2019)
GTIN	4055626059822
Weight per piece (including packing)	234.7 g
Weight per piece (excluding packing)	226.09 g
Customs tariff number	85389099
Country of origin	PL

# HC-STA-B16-HHFS-1TTP29-EL-AL - Housing



1412702

<https://www.phoenixcontact.com/us/products/1412702>

## Technical data

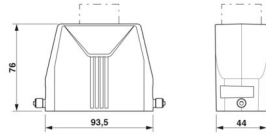
### Notes

General	For contact inserts HC-B16, BB32, D40, DD72, HS6, HV6, M, K
General	also available as a powder-coated or color version: 1373013 HC-STA-B16-HHFS-1TTP29-EL/...

### Product properties

Product type	Housing with locking latch
Housing type	Sleeve housing
Application	Standard
Type	B16
No. of cable outlets	1
Type of the screw connection	1x Pg29
Type	Tall design
Cable outlet	straight
Pg screw connection	none

### Dimensions

Dimensional drawing	
Width	44 mm
Height	76 mm
Length	93.5 mm

### Internal dimensions

Length of internal thread	14 mm
---------------------------	-------

### Material specifications

Housing material	Die-cast aluminum, salt water resistant
Housing surface material	uncoated

### Mechanical properties

#### Mechanical data

Type of the screw connection	1x Pg29
Locking type	Pin

### Environmental and real-life conditions

#### Ambient conditions

Degree of protection	IP66
----------------------	------

# HC-STA-B16-HHFS-1TTP29-EL-AL - Housing



1412702

<https://www.phoenixcontact.com/us/products/1412702>

	IP67
Enclosure rating (NEMA)	4 (UL 50e)
	4X (UL 50e)
	12 (UL 50e)
Impact strength	IK08
Ambient temperature (operation)	-40 °C ... 125 °C

# HC-STA-B16-HHFS-1TTP29-EL-AL - Housing

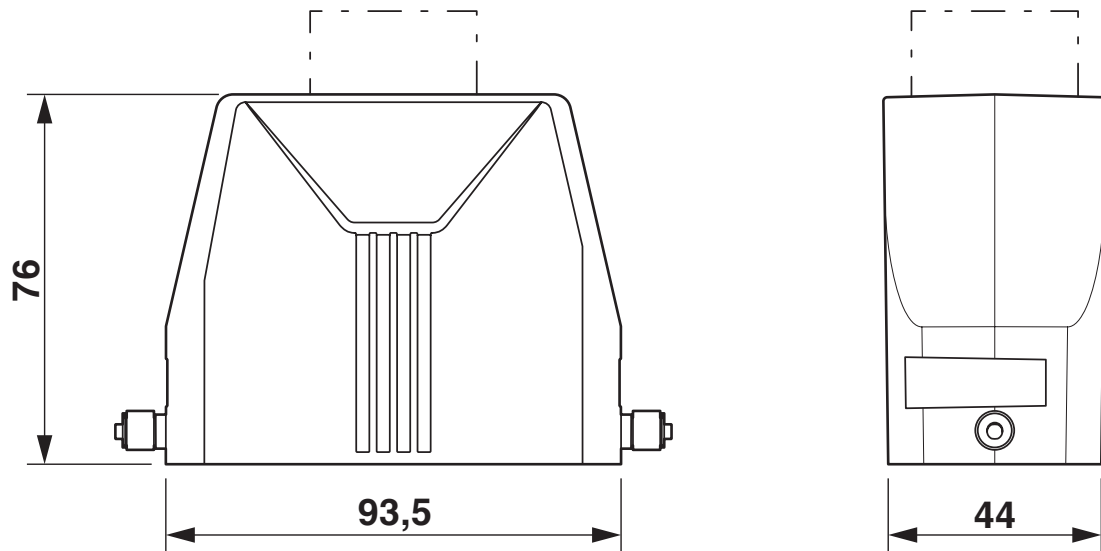
1412702

<https://www.phoenixcontact.com/us/products/1412702>



## Drawings

Dimensional drawing



Dimensional drawing

1412702

<https://www.phoenixcontact.com/us/products/1412702>

## Approvals

To download certificates, visit the product detail page: <https://www.phoenixcontact.com/us/products/1412702>

**DNV**

Approval ID: TAE000037S



**cUL Recognized**

Approval ID: E255026



**UL Recognized**

Approval ID: E255026



**EAC**

Approval ID: RU C-DE.AI30.B.01102



**EAC**

Approval ID: RU C-DE.BL08.B.00511

**cULus Recognized**

# HC-STA-B16-HHFS-1TTP29-EL-AL - Housing



1412702

<https://www.phoenixcontact.com/us/products/1412702>

## Classifications

### ECLASS

ECLASS-11.0	27440202
ECLASS-12.0	27440202
ECLASS-13.0	27440202

### ETIM

ETIM 9.0	EC000437
----------	----------

### UNSPSC

UNSPSC 21.0	31261500
-------------	----------

1412702

<https://www.phoenixcontact.com/us/products/1412702>

## Environmental product compliance

### EU RoHS

Fulfills EU RoHS substance requirements	Yes, No exemptions
---	--------------------

### China RoHS

Environment friendly use period (EFUP)	EFUP-E
	No hazardous substances above the limits

### EU REACH SVHC

REACH candidate substance (CAS No.)	No substance above 0.1 wt%
-------------------------------------	----------------------------

# HC-STA-B16-HHFS-1TTP29-EL-AL - Housing



1412702

<https://www.phoenixcontact.com/us/products/1412702>

## Accessories

### G-INS-PG29-M68N-NNES-S - Cable gland

1411176

<https://www.phoenixcontact.com/us/products/1411176>



Cable gland, material for screw connection: Brass, nickel-plated, application: Standard, external cable diameter 18 mm ... 25 mm, shielding: no, connecting thread: Pg29, color: silver, with O-ring

---

### G-INSEC-PG29-M68N-NNES-S - Cable gland

1411201

<https://www.phoenixcontact.com/us/products/1411201>



Cable gland, material for screw connection: Brass, nickel-plated, application: EMC, external cable diameter 18 mm ... 25 mm, shielding: yes, connecting thread: Pg29, color: silver, with O-ring



# HC-STA-B16-HHFS-1TTP29-EL-AL - Housing

1412702

<https://www.phoenixcontact.com/us/products/1412702>



## US-EMLP (20X9) CUS - Plastic label

0830085

<https://www.phoenixcontact.com/us/products/0830085>

Plastic label, can be ordered: by card, white, labeled according to customer specifications, mounting type: adhesive, lettering field size: 20 x 9 mm, Number of individual labels: 75



---

## HC-B16-HCWS-PLR-BK - Protective cover

1346541

<https://www.phoenixcontact.com/us/products/1346541>

Protective cover B16, with single locking latch, protective cover material: PC, height: 26.3 mm, seal: yes



# HC-STA-B16-HHFS-1TTP29-EL-AL - Housing



1412702

<https://www.phoenixcontact.com/us/products/1412702>

## US-EMLP-HA (20X9) - Plastic label

0830989

<https://www.phoenixcontact.com/us/products/0830989>



Plastic label, Card, white, unlabeled, can be labeled with: BLUEMARK ID COLOR, BLUEMARK ID, THERMOMARK PRIME, THERMOMARK CARD 2.0, THERMOMARK CARD, mounting type: adhesive, lettering field size: 20 x 9 mm, Number of individual labels: 70

---

## WP-G HF IP66 PG29 BK - Screw connection

3240893

<https://www.phoenixcontact.com/us/products/3240893>



Cable gland, Pg thread, IP66 protection, straight

# HC-STA-B16-HHFS-1TTP29-EL-AL - Housing

1412702

<https://www.phoenixcontact.com/us/products/1412702>



WP-G HF IP69K PG29 BK - Screw connection

3240879

<https://www.phoenixcontact.com/us/products/3240879>



Cable gland, Pg thread, IP68/69k protection, straight

---

WP-GA HF IP66 PG29 BK - Screw connection

3240921

<https://www.phoenixcontact.com/us/products/3240921>



Cable gland, Pg thread, IP66 protection, angled

# HC-STA-B16-HHFS-1TTP29-EL-AL - Housing

1412702

<https://www.phoenixcontact.com/us/products/1412702>

## WP-GR HF IP66 PG29 BK - Screw connection

3240949

<https://www.phoenixcontact.com/us/products/3240949>



Cable gland, Pg thread, IP66 protection, with strain relief

---

## WP-GR HF IP69K PG29 BK - Screw connection

3240935

<https://www.phoenixcontact.com/us/products/3240935>



Cable gland, Pg thread, IP68/69k protection, with strain relief

# HC-STA-B16-HHFS-1TTP29-EL-AL - Housing

1412702

<https://www.phoenixcontact.com/us/products/1412702>

## WP-G PP HF PG29 - Screw connection

3240993

<https://www.phoenixcontact.com/us/products/3240993>

Cable gland made from PP with Pg thread, IP65 protection



---

## WP-GT PP HF PG29 - Screw connection

3241007

<https://www.phoenixcontact.com/us/products/3241007>

Cable gland made from PP with Pg thread, rotatable, IP54 protection



# HC-STA-B16-HHFS-1TTP29-EL-AL - Housing

1412702

<https://www.phoenixcontact.com/us/products/1412702>

## WP-G BRASS IP40 PG29 - Screw connection

3241042

<https://www.phoenixcontact.com/us/products/3241042>



Cable gland made from brass with Pg thread, IP40 protection

---

## WP-GT BRASS PG29 - Screw connection

3241028

<https://www.phoenixcontact.com/us/products/3241028>



Cable gland made from brass with Pg thread, rotatable, IP40 protection

# HC-STA-B16-HHFS-1TTP29-EL-AL - Housing

1412702

<https://www.phoenixcontact.com/us/products/1412702>



WP-G BRASS IP65 PG29 - Screw connection

3241056

<https://www.phoenixcontact.com/us/products/3241056>

Cable gland made from brass with Pg thread, IP65 protection



---

Phoenix Contact 2024 © - all rights reserved

<https://www.phoenixcontact.com>

Phoenix Contact USA  
586 Fulling Mill Road  
Middletown, PA 17057, United States  
(+717) 944-1300  
[info@phoenixcon.com](mailto:info@phoenixcon.com)