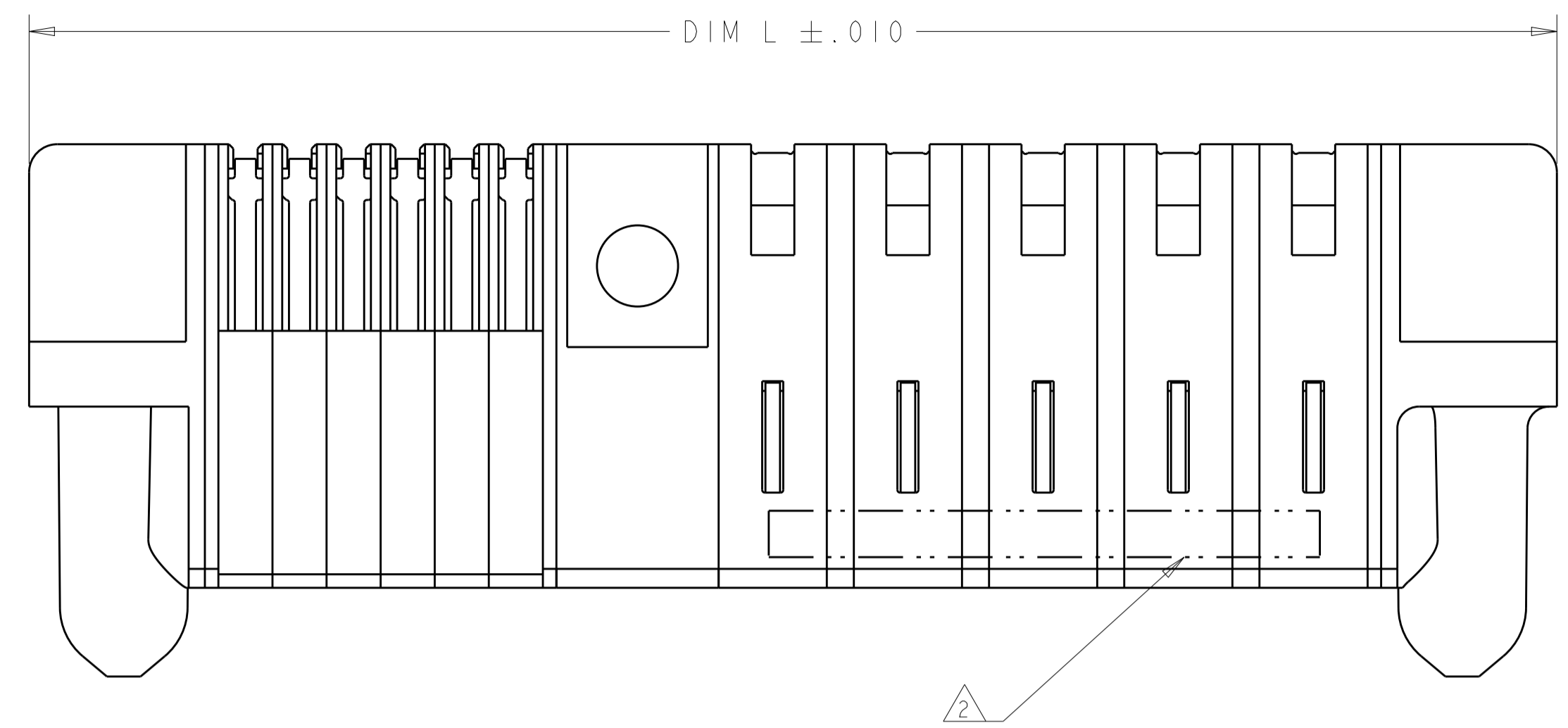
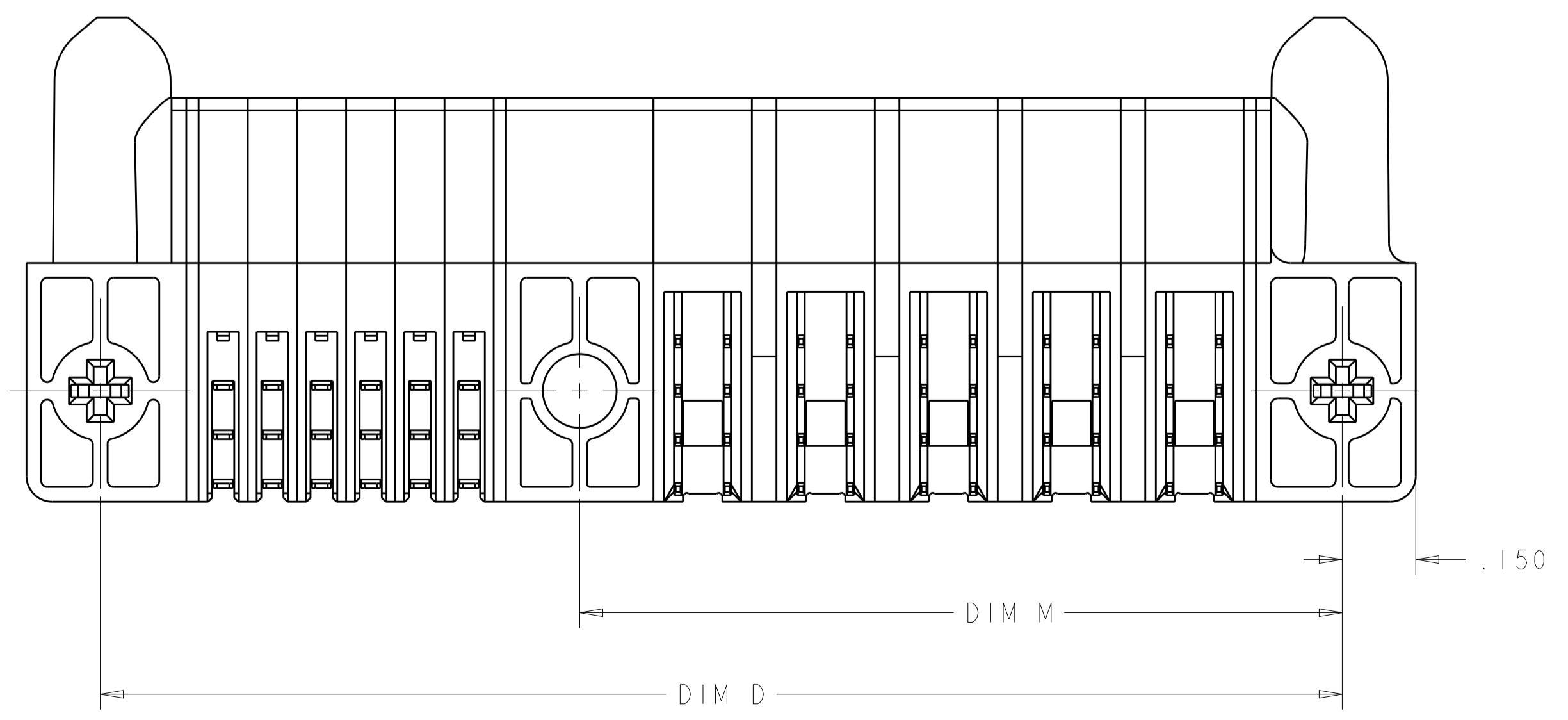
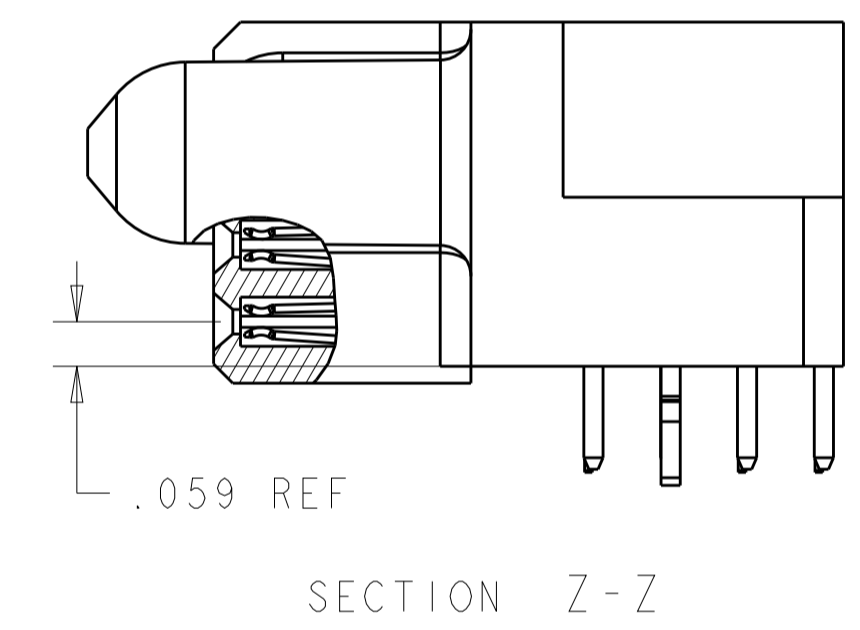
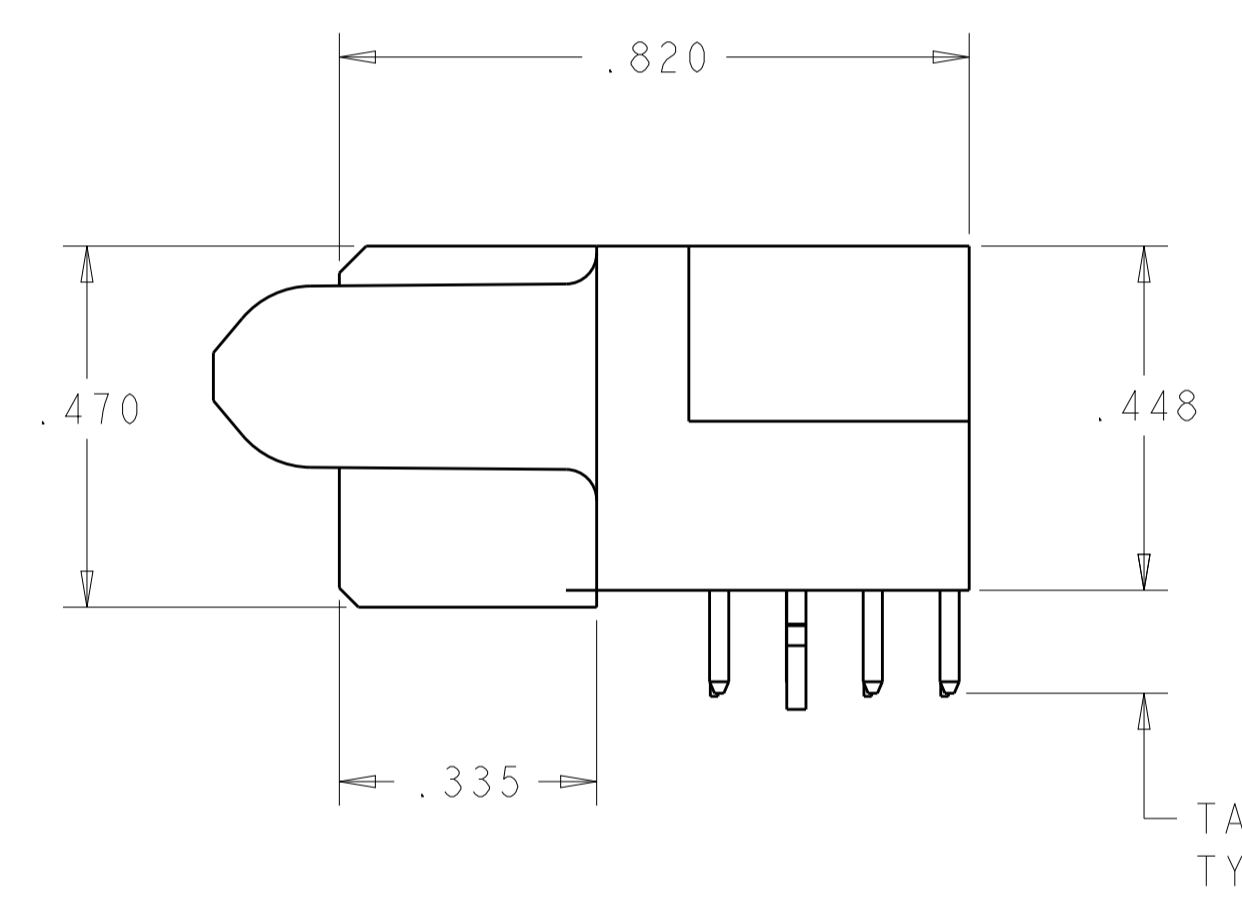
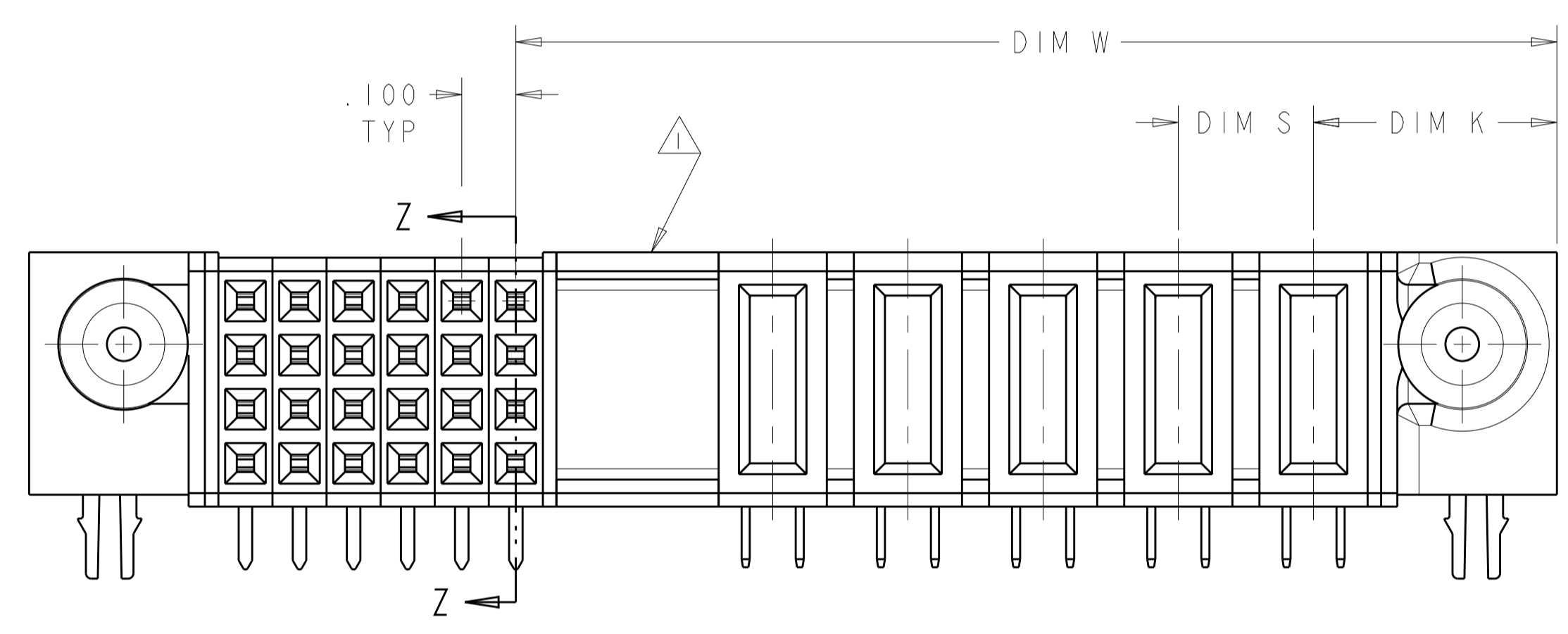


LOC		DIST		REVISIONS			
ES	00	P	LTN	DESCRIPTION	DATE	DWN	APVD
		C		REV PER ECR-08-015044	13JUNE2008	TY	SY
		CI		ADDED THE DASH NUMBER -5	19MAR2012	ML	SZ



- 1 OPTIONAL CENTER MODULE, WITH Ø.150 THRU HOLE OR HOLD DOWN FEATURE.
- 2 "AMP", TRADEMARK, PART NUMBER AND DATE CODE TO BE MARKED IN AREA SHOWN
- 3 MATERIAL: HOUSING - GLASS FILLED HIGH TEMP THERMO PLASTIC, BLACK, UL94 V-0
 SIGNAL CONTACT - HIGH CONDUCTIVITY COPPER ALLOY
 POWER CONTACT - HIGH CONDUCTIVITY COPPER ALLOY
- 4 CONTACT PLATING: NOBLE METAL PLATING ON CONTACT FUNCTIONAL AREA OF POWER AND SIGNAL CONTACTS
- 5 MECHANICAL CONNECTOR KEEP OUT ZONE.
- 6 DATUM AND BASIC DIMENSIONS ESTABLISHED BY CUSTOMER.
- 7 PCB - ALL HOLE DIAMETERS ARE FINISHED HOLE SIZES.
- 8 PCB - .0453 ±.0010 DRILLED HOLES PLATED WITH .0003 MIN Sn OVER .001 TO .003 CU PLATING TO ACHIEVE A .040±.003 DIA HOLE.
- 9 VARIABLE DIMENSION SHOW ON VIEW (SHEET 3).



3.125	3.625	-	3.925	.450	5ACP+6HDP + 20S	6450172-5	
.200	1.625	2.200	-	2.500	6P+24S	6450172-4	
2.675	3.275	-	3.575	.525	3ACP + 6P + 24S	6450172-3	
.250	2.375	3.050	-	3.350	8P+28S	6450172-2	
.250	3.875	4.650	-	4.950	14P+32S	6450172-1	
DIM S	DIM W	DIM D	DIM M	DIM L	DIM K	DESCRIPTION	PART NUMBER

THIS DRAWING IS A CONTROLLED DOCUMENT.

DWN: R. GRZYBOWSKI 22FEB05
 CHK: M. PERCHERKE 22FEB05

TE CONNECTIVITY

RIGHT ANGLE RECEPTACLE ASSEMBLY WITH GUIDES, SOLDER TYPE MULTI-BEAM XL

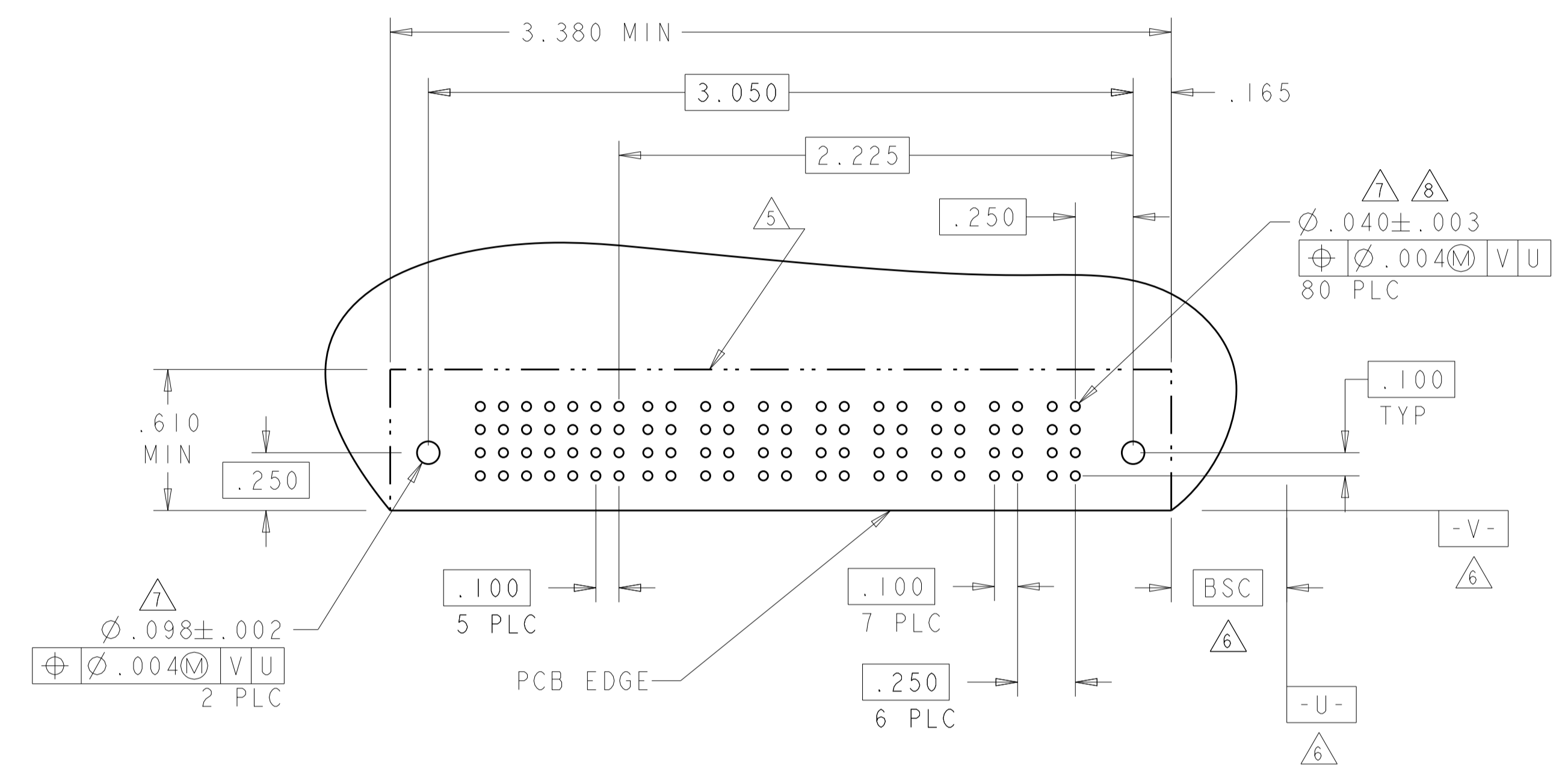
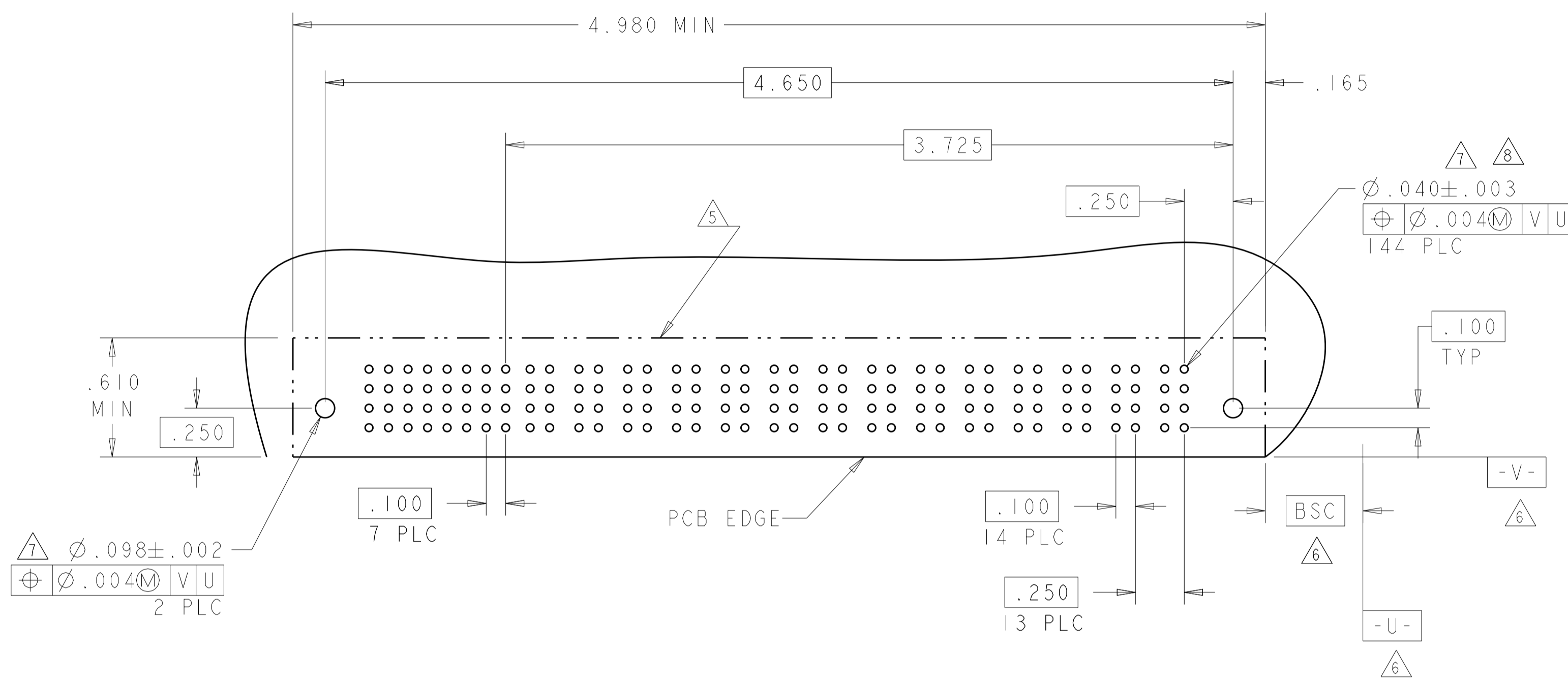
SIZE: 114-13038
 WEIGHT: -
 CUSTOMER DRAWING

SCALE: 1:1 SHEET 1 OF 4 REV C1

LOC	DIST	REVISIONS			
		REV	DATE	BY	APPV
ES	00				
		SEE SHEET 1			

PART NUMBER	ROWS	SIGNAL								POWER															
		8	7	6	5	4	3	2	1	PI4	PI3	PI2	PI1	PI0	P9	P8	P7	P6	P5	P4	P3	P2	PI		
6450172-1	D C B A	H	H	H	H	H	H	H	H	RM	RA	RM	RA	RM	RA	RM	RA	RM	RA	RM	RA	RM	RA	RM	RA
		G	G	G	G	G	G	G	G																
		F	F	F	F	F	F	F	F																
		E	E	E	E	E	E	E	E																
14P + 32S		HD																						HD	

PART NUMBER	ROWS	SIGNAL								POWER									
		7	6	5	4	3	2	1	P8	P7	P6	P5	P4	P3	P2	PI			
6450172-2	D C B A	H	H	H	H	H	H	H	RA	RM	RM	RA	RM	RA	RM	RA			
		G	G	G	G	G	G	G											
		F	F	F	F	F	F	F											
		E	E	E	E	E	E	E											
8P + 28S		HD												HD					



CODE	DESCRIPTION	ROW
RM	STD POWER	-
RA	MFBL POWER	-
L	.090 TAIL LENGTH SIGNAL	D
K	.090 TAIL LENGTH SIGNAL	C
J	.090 TAIL LENGTH SIGNAL	B
I	.090 TAIL LENGTH SIGNAL	A
H	.135 TAIL LENGTH SIGNAL	D
G	.135 TAIL LENGTH SIGNAL	C
F	.135 TAIL LENGTH SIGNAL	B
E	.135 TAIL LENGTH SIGNAL	A

CONTACT TABLE

THIS DRAWING IS A CONTROLLED DOCUMENT.		DWN: R. GRZYBOWSKI CHK: M. PERCHERKE APVD: M. PERCHERKE	22FEB05 22FEB05
DIMENSIONS: INCHES	TOLERANCES UNLESS OTHERWISE SPECIFIED: 0 PLC ±. 1 PLC ±.01 2 PLC ±.01 3 PLC ±.005 4 PLC ±.002 ANGLES ±.020	NAME: PRODUCT SPEC: APPLICATION SPEC: 108-1973	SIZE: CAGE CODE DRAWING NO: 114-13038
MATERIAL:	FINISH:	WEIGHT:	RESTRICTED TO:
CUSTOMER DRAWING		SCALE: 1:1	SHEET 2 OF 4

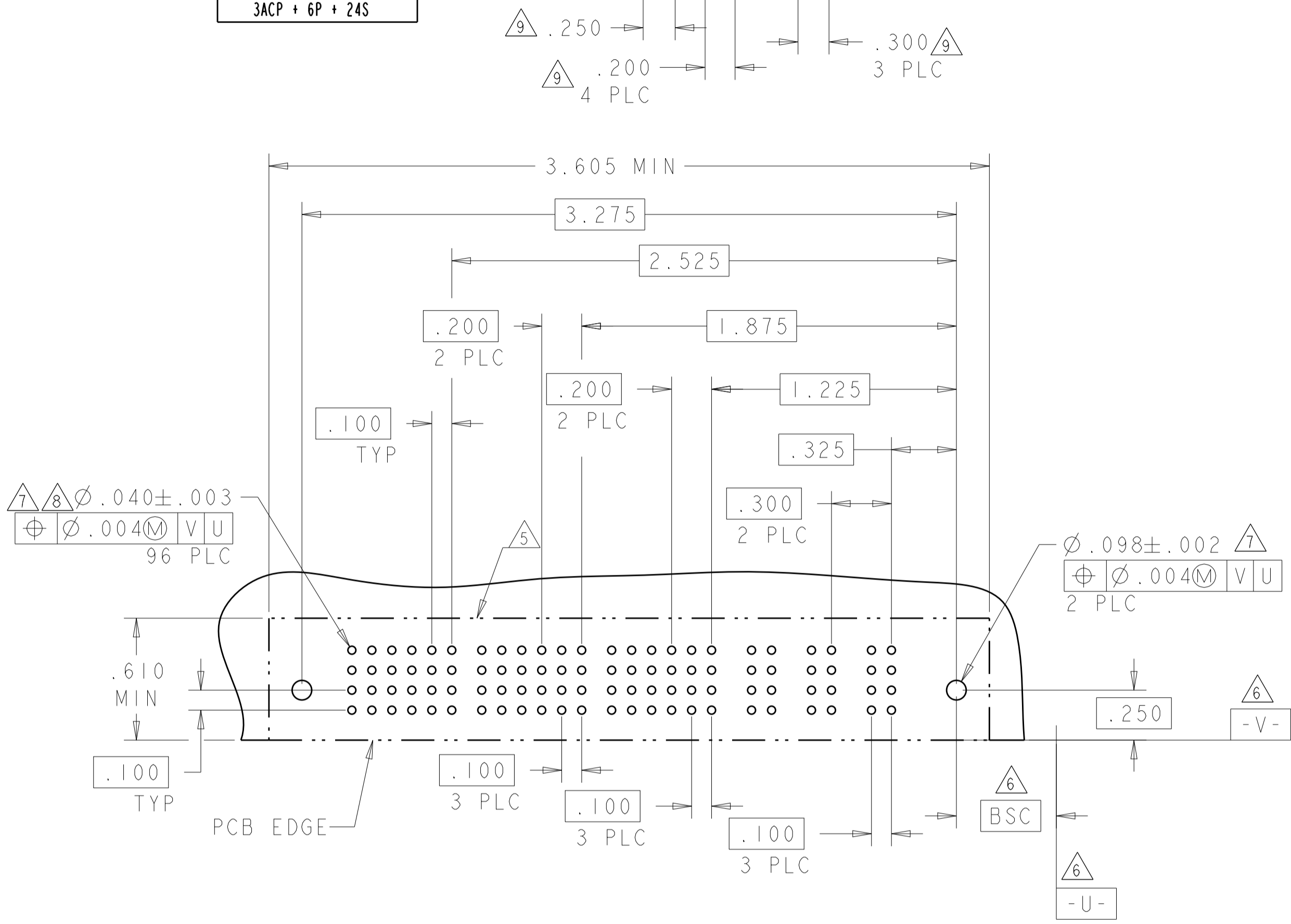


RIGHT ANGLE RECEPTACLE ASSEMBLY WITH GUIDES, SOLDER TYPE MULTI-BEAM XL

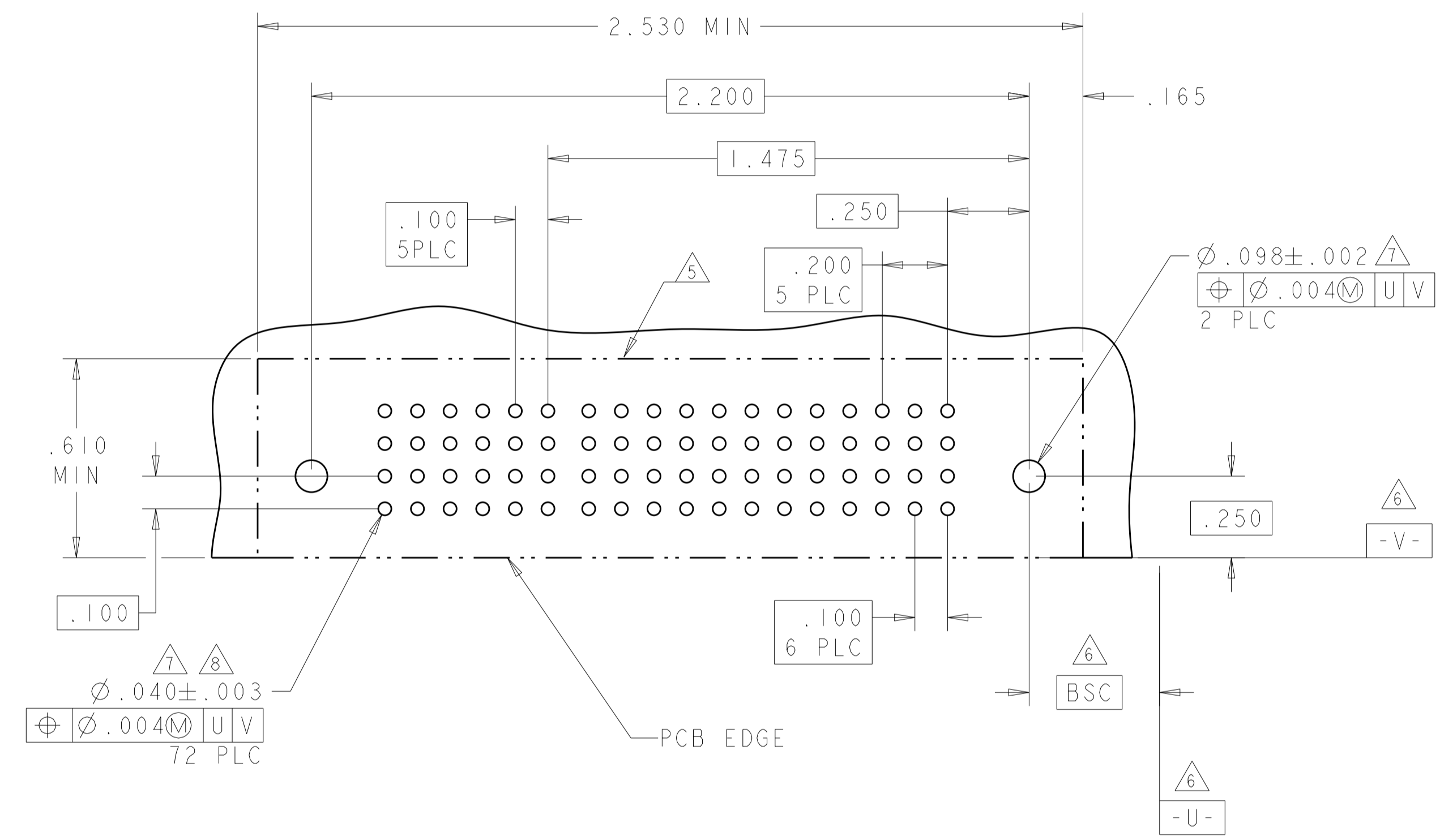
A100779C=6450172

LOC		DIST		REVISIONS			
ES	00	P	LTN	DESCRIPTION	DATE	DWN	APVD
-	-	-	-	SEE SHEET 1	-	-	-

PART NUMBER	ROWS	SIGNAL						POWER								
		6	5	4	3	2	1	P9	P8	P7	P6	P5	P4	P3	P2	P1
6450172-3	D C B A	H	H	H	H	H	H	RA	RA	RA	RA	RA	RA	RA	RA	RA
		G	G	G	G	G	G									
		F	F	F	F	F	F									
		E	E	E	E	E	E									



PART NUMBER	ROWS	SIGNAL						POWER					
		6	5	4	3	2	1	P6	P5	P4	P3	P2	P1
6450172-4	D C B A	H	H	H	H	H	H	RM	RM	RM	RM	RM	RM
		G	G	G	G	G	G						
		F	F	F	F	F	F						
		E	E	E	E	E	E						



THIS DRAWING IS A CONTROLLED DOCUMENT. DWN: R. GRZYBOWSKI 22FEB05
 CHK: M. PERCHERKE 22FEB05

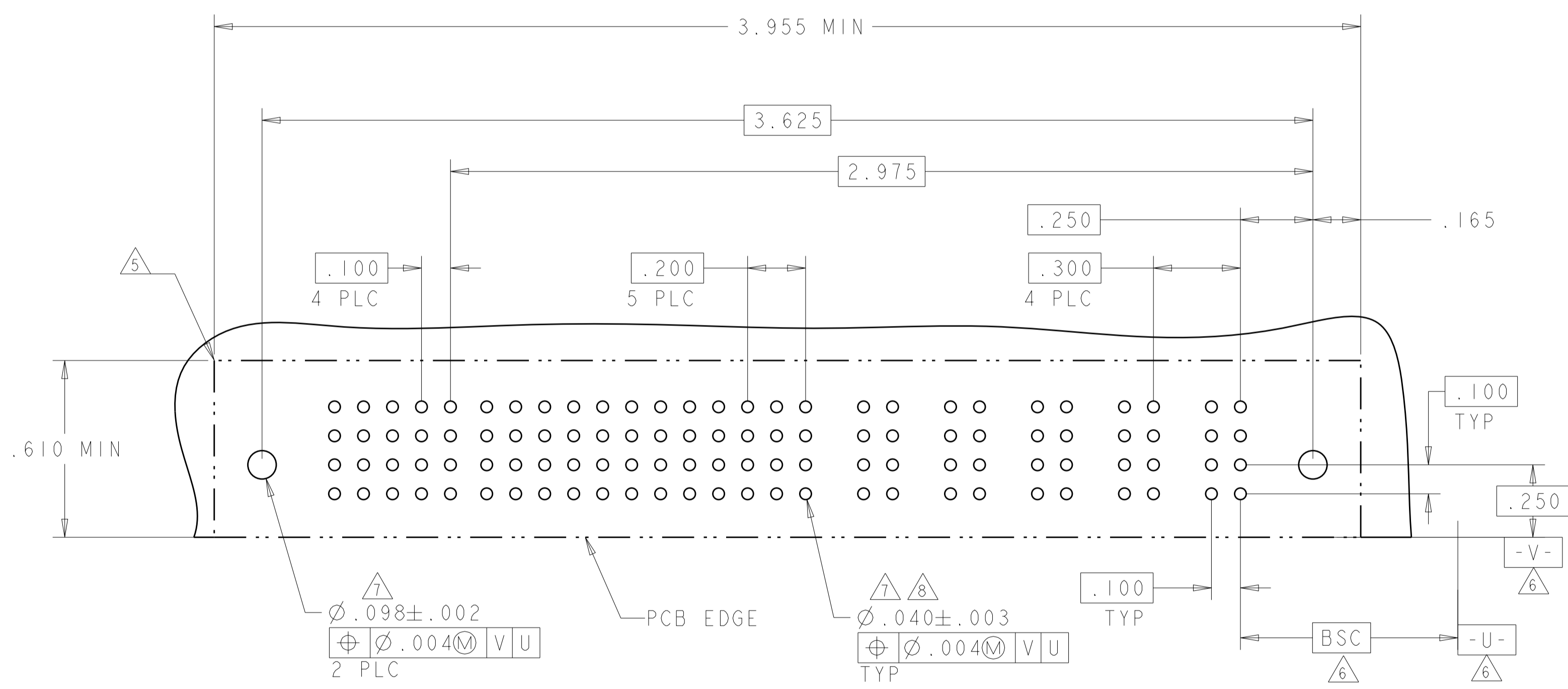
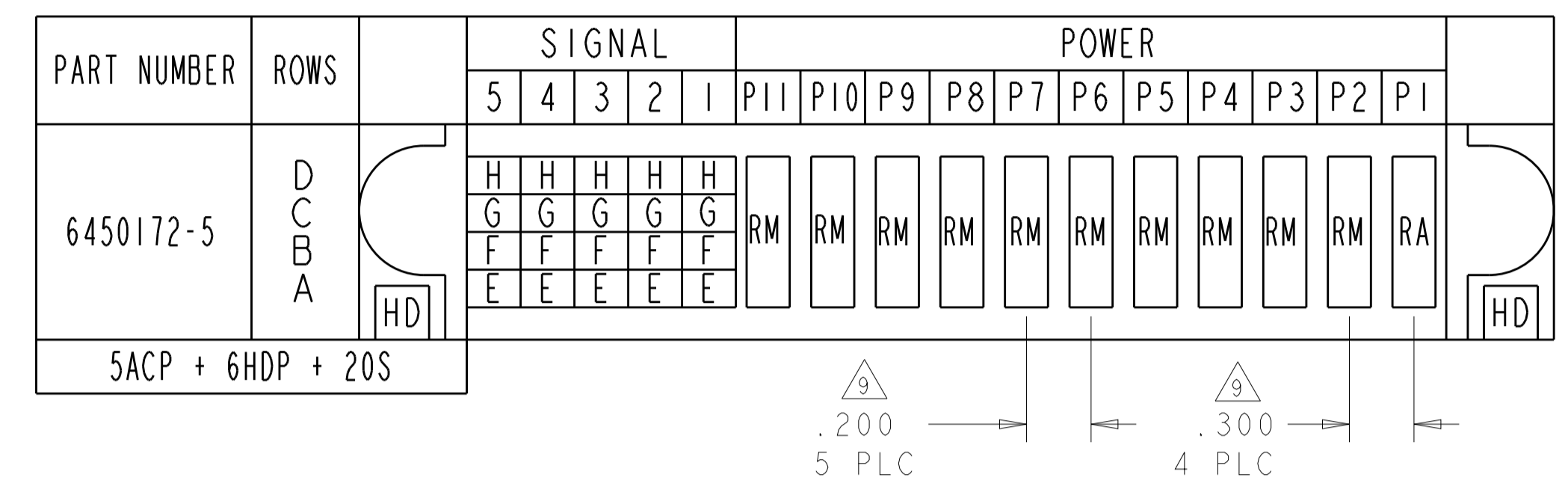
TE CONNECTIVITY

RIGHT ANGLE RECEPTACLE ASSEMBLY WITH GUIDES, SOLDER TYPE MULTI-BEAM XL

SIZE: 114-13038 CAGE CODE: 100779 DRAWING NO: 6450172

SCALE: 1:1 SHEET 3 OF 4 REV: C1

LOC	DIST	REVISIONS			
P	LTN	DESCRIPTION	DATE	DMN	APVD
-	-	SEE SHEET 1	-	-	-



THIS DRAWING IS A CONTROLLED DOCUMENT.		DMN: R.GRZYBOWSKI 22FEB05	TE Connectivity
DIMENSIONS: INCHES		CHK: M.PERCHEKKE 22FEB05	
		APVD: M.PERCHEKKE	NAME: RIGHT ANGLE RECEPTACLE ASSEMBLY WITH GUIDES, SOLDER TYPE MULTI-BEAM XL
TOLERANCES UNLESS OTHERWISE SPECIFIED:		PRODUCT SPEC: 108-1973	SIZE: A100779C=6450172
0 PLC ± 1 PLC ±.01 2 PLC ±.01 3 PLC ±.005 4 PLC ±.0020 ANGLES ±.2°		APPLICATION SPEC: 114-13038	RESTRICTED TO: -
MATERIAL: -		WEIGHT: -	CUSTOMER DRAWING
FINISH: -		SCALE: 1:1	SHEET 4 OF 4 REV: C