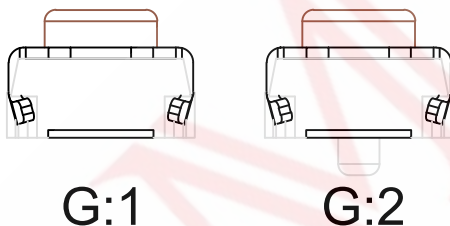
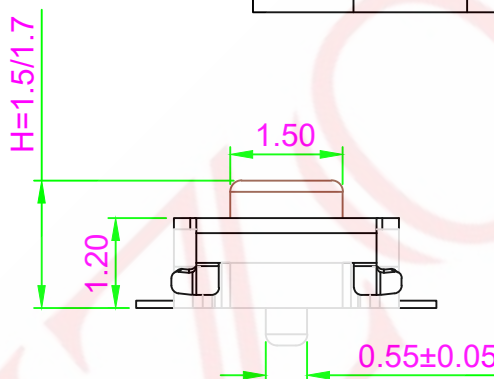
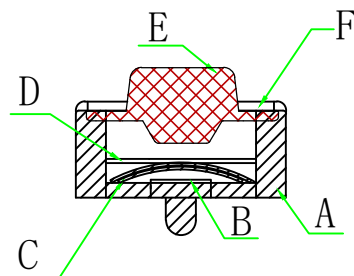
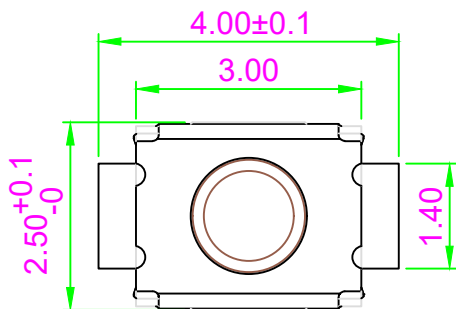


SAMZO REAC/ROHS

REV	ECN NO	DESCRIPTION	DESIGN	APPROVAL	DATE
A1	NEW	Replace frame			2018.06.14

主要技术参数、性能
The Main Technology Performance

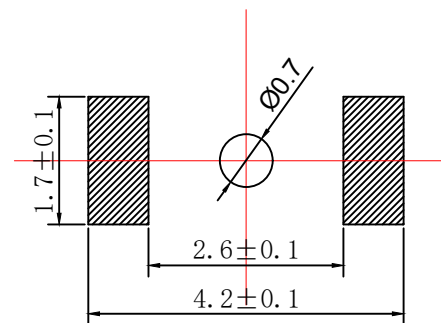
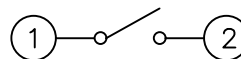
额定电流、电压 Rate voltage, current	50mA DC12V
接触电阻 Contact resistance	≤100mΩ
按力 Operating force	±50gf
行程 Travel	0.13±0.10mm
绝缘电阻 Insulated resistance	≥100MΩ
介电强度 Dielectric strength	≥250VAC/1min



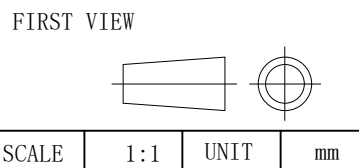
B 4 A * * 1 1 * 0
A B C D E F G H

- A. 系列:B-2.5*3.0系列
- B. 贴装方式:4-立式贴片
- C. 规格:A-2P
- D. 操作高度:15-1.5mm/17-1.7mm
- E. 操作力度:1-160gf
- F. 操作寿命:1-10,000次
- G. 固定方式:1-无柱/2-带柱
- H. 物料编码:0-常规(确认待编)

原理图



ITEM	DESCRIPTION	MATERIAL	QTY	FINISH/COLOR					
F	盖板	不锈钢	1	清洗					
E	桃心	PA46 TW271F6 无卤	1	灰色	GENERAL TOLERANCE				
D	防尘膜	聚酰亚胺	1	灰色	≥0~2<	±0.15			
C	弹片	不锈钢	1	镀银	DESIGN	WANGGUIFA	2018.06.12	≥2~5<	±0.25
B	卡件	C5191R-H T=0.1	1	镀银	CHECKED	ZHENGUILAN	2018.06.12	≥0~2<	±0.15
A	基座	LCP 4009	1	白色	APPROVED	LILIANJIANG	2018.06.14	≥5	±0.35



The copyright belongs to samzo parts [China] Co., Ltd. please use the material after samzo parts agree to authorize. The final right of interpretation belongs to samzo parts. WWW.KKK-JP.COM

TITLE: 2.5*3.0*H mm 2P-LT

DWG NO: B4A2530-P10

PART NO: B4A1819093

MODEL NO: B4A-**-11*0

NAME: TACT SWITCH

SAMZO COMPONENTS
Electronic switch and connector manufacturer

SCALE 1:1 UNIT mm