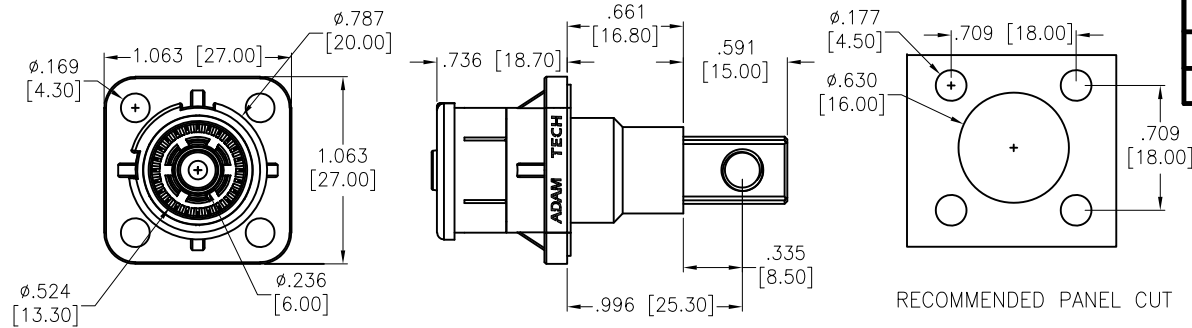


APPROVED: _____

DATE: _____ TITLE: _____

Rev	AWO #	Description	Date	Appr
-		RELEASED	12/18/23	
A		UPDATE DRAWING	7/26/24	LH/RC
B		UPDATE DRAWING	8/6/24	LH/RC
C		ADDED SPEC.	8/21/24	LH/RL
D		UPDATE SPEC.	9/6/24	LH/RC
E		UPDATE SPEC.	9/27/24	LH/AC1



ADAM TECH P/N:	Compatible Dust Cover (Sold Separately)
ESF-090A02-XXXXXX	ESF-DC1
ESF-120A02-XXXXXX	

Universal model: 090A, 120A

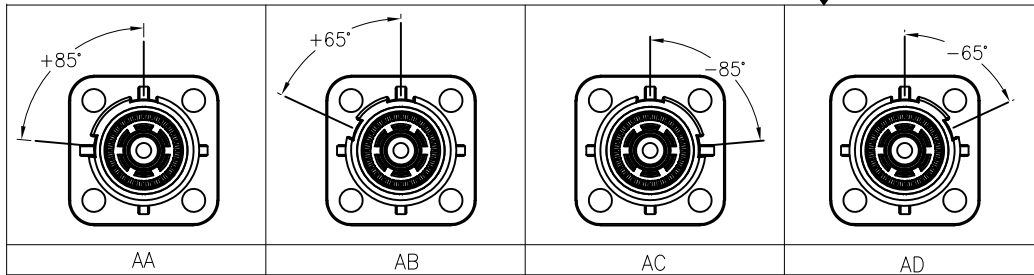
ESF-XXXXA02-XXXXXX

Terminal Type See Chart 010~052

Key Options

Housing Color: O=Orange B=Black

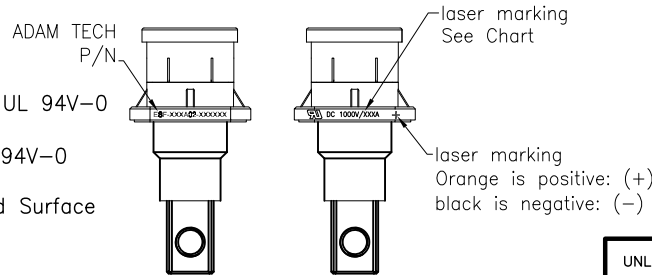
010	020	030	040	051/052
M6x1.0	M5x0.8	M6x1.0	ϕ 5.0	
Threaded Hole Type	Busbar type (Threaded Hole)	Screw Post type	Busbar type (Through Hole)	Crimp type



Number	Terminal	Specification	Universal model
010	Threaded Hole	M6x1.0 Thread	
020	Busbar (Threaded Hole)	M5x0.8 Thread	
030	Screw Post	M6x1.0 Thread	
040	Busbar (Through Hole)	ϕ 5.0 Dia. Hole	
051	Crimp ADAM/PN: (ESF-120A02-XX051)	AWG American wire gauge	120A
		International Wire Gauge	
052	Crimp ADAM/PN: (ESF-090A02-XX052)	AWG American wire gauge	090A
		International Wire Gauge	

SPECIFICATIONS:

Connector:
Housing: PA66, Glass reinforced, rated UL 94V-0
Housing color: Orange/Black
Cap: PA66, Glass reinforced, rated UL 94V-0
Gasket: Silicone
Contact: Pure Red Copper, Silver plated Surface
Electrical:
Voltage rating: 1000VDC
Current rating: 90A/120A
Contact resistance: 0.5 mohms max
Insulation resistance: 1,000 Mohms min
Dielectric withstanding voltage: 3,800VDC
Mechanical:
Durability: 500 cycles
Overvoltage Category/Pollution Degree: CATIII/3
Temperature Rating: -40°C to +125°C
Environmental:
Waterproof: IP67 (Mating)
Lead free, RoHS compliant



UNLESS OTHERWISE SPECIFIED ALL DIMENSIONS ARE INCHES [MM]. TOLERANCES: EXCEPT AS NOTED

INCHES		HOLES	
.X	\pm .10	ϕ .X	\pm .10
.XX	\pm .020	ϕ .XX	\pm .015
.XXX	\pm .015	ϕ .XXX	\pm .010

DRAWN	WX	12/18/23
CHECKED	CK	12/18/23
APPROVED		

THIS DRAWING CONTAINS INFORMATION THAT IS PROPRIETARY AND SHOULD NOT BE USED WITHOUT PRIOR WRITTEN PERMISSION FROM ADAM TECH

ADAM TECH

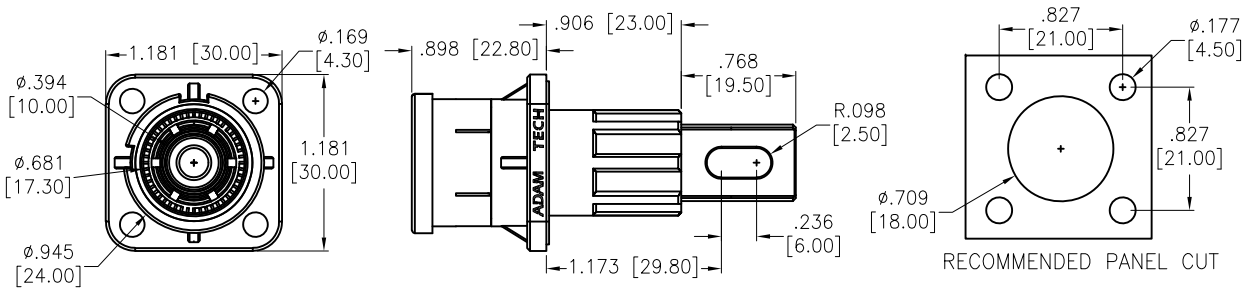
909 Rahway Avenue,
Union, NJ 07083
Phone: 908-687-5000
Fax: 908-687-5710

TITLE		REV: E
ENERGY STORAGE CONNECTOR, FEMALE		
SIZE X	PART NO. ESF-XXXXA02-XXXXXX	
REF: S00005C	SCALE: NTS	SHEET 1 OF 3

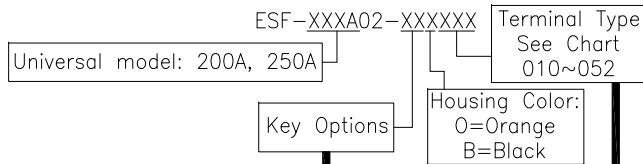
APPROVED: _____

DATE: _____ TITLE: _____

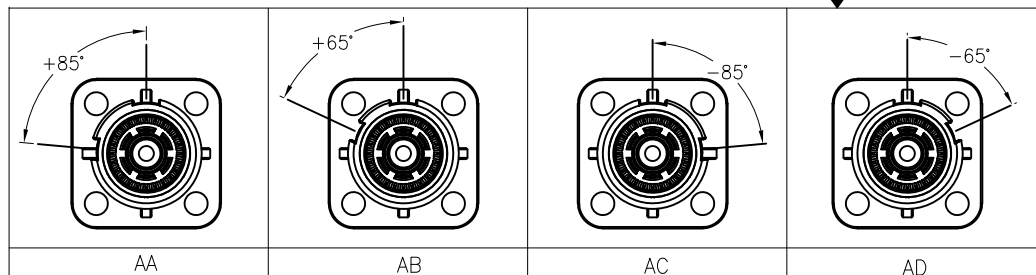
Rev	AWO #	Description	Date	Appr
SEE SHT 1 OF 3 FOR REVISION				



ADAM TECH P/N:	Compatible Dust Cover (Sold Separately)
ESF-200A02-XXXXXX	ESF-DC2
ESF-250A02-XXXXXX	



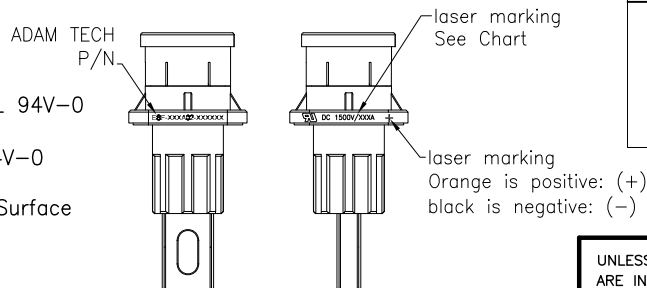
010	020	030	040	051/052
M6x1.0	M8x1.25	M6x1.0	$\phi 5.0$	
Threaded Hole	Busbar (Threaded Hole)	Screw Post	Busbar (Through Hole)	Crimp Type



Number	Terminal	Specification	Universal model
010	Threaded Hole	M6x1.0 Thread	/
020	Busbar (Threaded Hole)	M8x1.25 Thread	
030	Screw Post	M6x1.0 Thread	
040	Busbar (Through Hole)	$\phi 5.0$ Dia. Hole	
051	Crimp ADAM/PN: (ESF-200A02-XX051)	AWG American wire gauge	200A
		International Wire Gauge	
052	Crimp ADAM/PN: (ESF-250A02-XX052)	AWG American wire gauge	250A
		International Wire Gauge	

SPECIFICATIONS:

Connector:
Housing: PA66, Glass reinforced, rated UL 94V-0
Housing color: Orange/Black
Cap: PA66, Glass reinforced, rated UL 94V-0
Gasket: Silicone
Contact: Pure Red Copper, Silver plated Surface
Electrical:
Voltage rating: 1500VDC
Current rating: 200A/250A
Contact resistance: 0.5 mohms max
Insulation resistance: 1,000 Mohms min
Dielectric withstanding voltage: 6,800VDC
Mechanical:
Durability: 500 cycles
Overvoltage Category/Pollution Degree: CATIII/3
Temperature Rating: -40°C to +125°C
Environmental:
Waterproof: IP67 (Mating)
Lead free, RoHS compliant



UNLESS OTHERWISE SPECIFIED ALL DIMENSIONS ARE INCHES [MM]. TOLERANCES: EXCEPT AS NOTED

INCHES		HOLES	
.X	$\pm .10$	ϕX	$\pm .10$
.XX	$\pm .020$	ϕXX	$\pm .015$
.XXX	$\pm .015$	ϕXXX	$\pm .010$

DRAWN	WX	12/18/23
CHECKED	CK	12/18/23
APPROVED		

THIS DRAWING CONTAINS INFORMATION THAT IS PROPRIETARY AND SHOULD NOT BE USED WITHOUT PRIOR WRITTEN PERMISSION FROM ADAM TECH

ADAM TECH

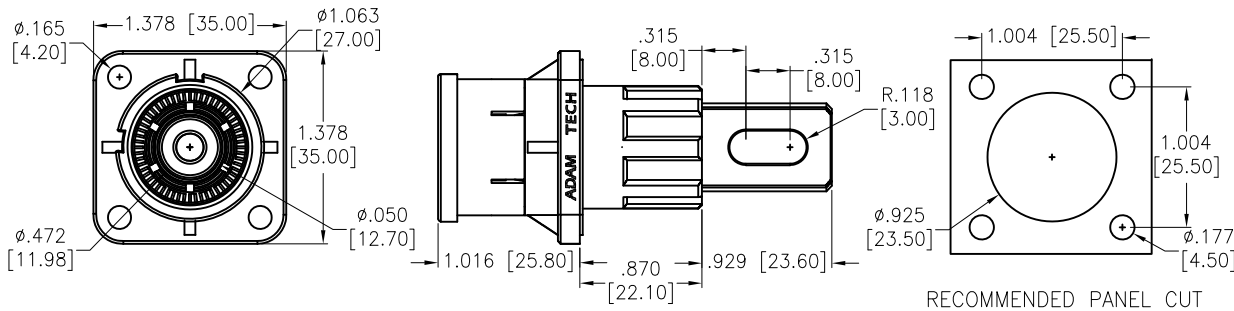
909 Rahway Avenue,
Union, NJ 07083
Phone: 908-687-5000
Fax: 908-687-5710

TITLE		REV.
ENERGY STORAGE CONNECTOR, FEMALE		E
SIZE	PART NO.	REF.
X	ESF-XXXXA02-XXXXXX	S00005C
SCALE:	SHEET 2 OF 3	
NTS		

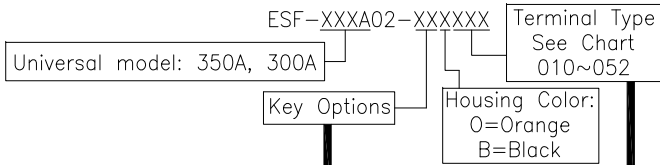
APPROVED: _____

DATE: _____ TITLE: _____

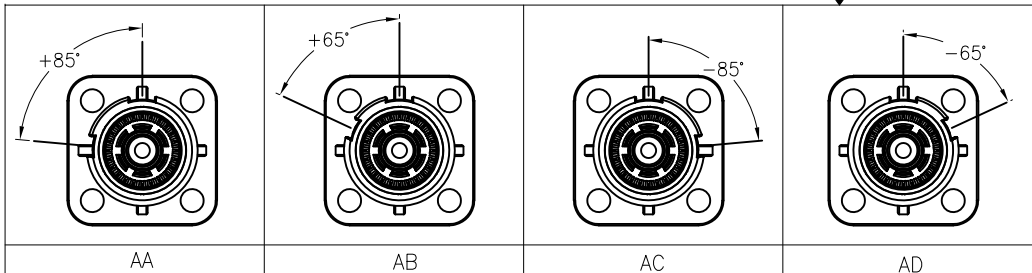
Rev	AWO #	Description	Date	Appr
SEE SHT 1 OF 3 FOR REVISION				



ADAM TECH P/N:	Compatible Dust Cover (Sold Separately)
ESF-300A02-XXXXXX	ESF-DC3
ESF-350A02-XXXXXX	



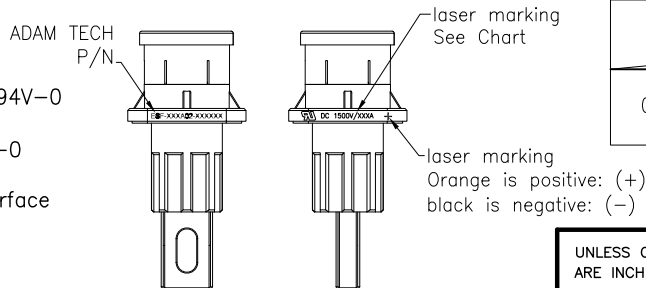
010	020	030	040	051/052
M6x1.0	M8x1.25	M8x1.25	$\phi 6.0$	
Threaded Hole	Busbar (Threaded Hole)	Screw Post	Busbar (Through Hole)	Crimp Type



Number	Terminal	Specification	Universal model
010	Threaded Hole	M6x1.0 Thread	350A
020	Busbar (Threaded Hole)	M8x1.25 Thread	
030	Screw Post	M8x1.25 Thread	
040	Busbar (Through Hole)	$\phi 6.0$ Dia. Hole	
051	Crimp ADAM/PN: (ESF-350A02-XX051)	AWG American wire gauge Wire standard: 4/0 AWG Strand outer diameter: $\phi 14.7$ Max O.D (Outside Diameter): $\phi 18.5$ Max	300A
052	Crimp ADAM/PN: (ESF-300A02-XX052)	International Wire Gauge Wire standard: 95mm ² Strand outer diameter: $\phi 14.2$ Max O.D (Outside Diameter): $\phi 17.6$ Max	

SPECIFICATIONS:

Connector:
Housing: PA66, Glass reinforced, rated UL 94V-0
Housing color: Orange/Black
Cap: PA66, Glass reinforced, rated UL 94V-0
Gasket: Silicone
Contact: Pure Red Copper, Silver plated Surface
Electrical:
Voltage rating: 1500VDC
Current rating: 300A/350A
Contact resistance: 0.5 mohms max
Insulation resistance: 1,000 Mohms min
Dielectric withstanding voltage: 6,800VDC
Mechanical:
Durability: 500 cycles
Overvoltage Category/Pollution Degree: CATIII/3
Temperature Rating: -40°C to +125°C
Environmental:
Waterproof: IP67 (Mating)
Lead free, RoHS compliant



UNLESS OTHERWISE SPECIFIED ALL DIMENSIONS ARE INCHES [MM]. TOLERANCES: EXCEPT AS NOTED

INCHES		HOLES	
.X	$\pm .10$	ϕX	$\pm .10$
.XX	$\pm .020$	ϕXX	$\pm .015$
.XXX	$\pm .015$	ϕXXX	$\pm .010$

DRAWN	WX	12/18/23
CHECKED	CK	12/18/23
APPROVED		

THIS DRAWING CONTAINS INFORMATION THAT IS PROPRIETARY AND SHOULD NOT BE USED WITHOUT PRIOR WRITTEN PERMISSION FROM ADAM TECH

ADAM TECH

909 Rahway Avenue,
Union, NJ 07083
Phone: 908-687-5000
Fax: 908-687-5710

TITLE	ENERGY STORAGE CONNECTOR, FEMALE		
SIZE	PART NO.	REV.	
X	ESF-XXXXA02-XXXXXX	E	
REF:	S00005C	SCALE:	NTS
		SHEET	3 OF 3