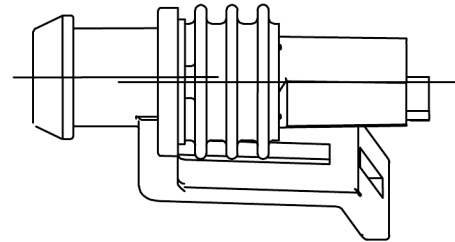
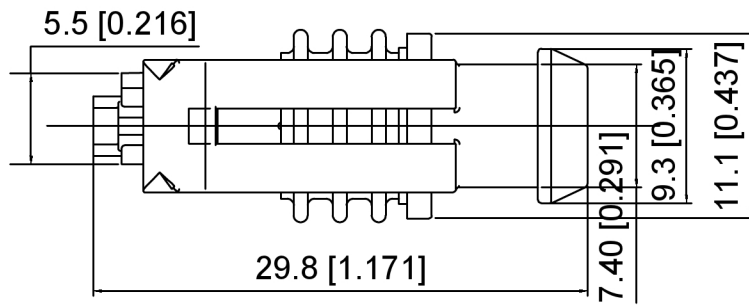


技术说明

- 1.表明光洁, 无明显缩坑与熔接痕
- 2.Current rating:14A AC/DC  
额定电流: 14A AC/DC
- 3.工作温度: -40°C- +125°C

K 282103 H M - XX - N0  
 ① ② ③ ④ ⑤ ⑥

- 1.K: XKBTEK-Car Connector
- 2.XKB Series No
- 3.Category:H-Housing
- 4.Special No:M-Male Housing
- 5.Row No.Pin No:XX-01 Pin
- 6.Material:N0-PA66 UL94V-0



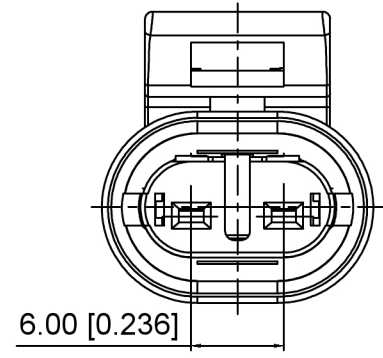
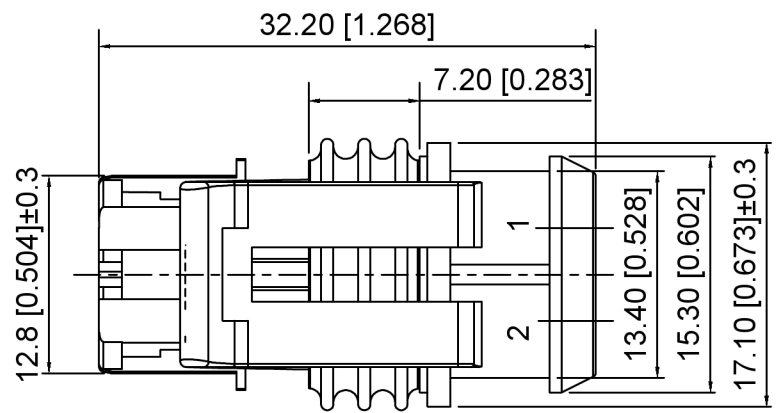
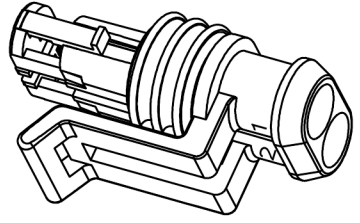
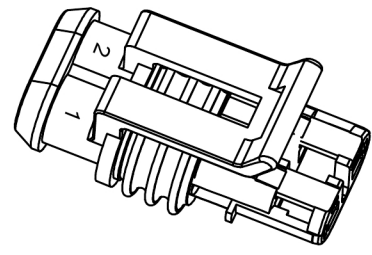
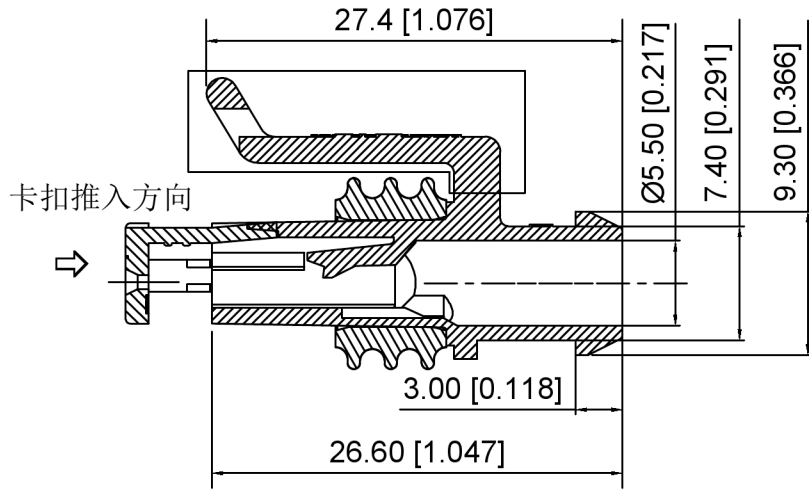
|                 |          |                     |                       |
|-----------------|----------|---------------------|-----------------------|
| K282103HM-XX-N0 | PA66     | K282103HF           | K282103TF             |
| PART NO         | Material | Suitable XKB Female | Suitable XKB Terminal |

|      |             |   |
|------|-------------|---|
| DSND | SCALE: N/A  | MODEL TYPE:<br>6.0mm Automobile connector |
| DWN  | VIEW:       | PART NO.:<br>K282103HM-XX-N0              |
| CHKD | UNIT: mm/in | DWG NO.:<br>X-K282103HM-XX-N0             |
| APPD | SIZE: A4    | WEIGHT SHEET REVISION                     |
|      |             | 1/1 A0                                    |



XKB INDUSTRIAL PRECISION CO.,LIMITED

|           |             |      |         |          |                        |      |
|-----------|-------------|------|---------|----------|------------------------|------|
|           |             |      |         |          | ANGLAR                 | ±5°  |
| Δx        |             |      |         |          | L ≤ 4                  | ±0.2 |
| Δx        |             |      |         |          | 4 < L ≤ 16             | ±0.3 |
| Δx        |             |      |         |          | 16 < L ≤ 63            | ±0.4 |
| MARK      | DESCRIPTION | DATE | REVISED | APPROVED | L > 63                 | ±0.5 |
| REVISIONS |             |      |         |          | UNSPECIFIED TOLERANCES |      |



技术说明

- 1.表明光洁, 无明显缩坑与熔接痕
- 2.Current rating:14A AC/DC  
额定电流: 14A AC/DC
- 3.工作温度: -40℃- +125℃

K 282103 H M - XX - N0  
 ① ② ③ ④ ⑤ ⑥

- 1.K: XKBTEK-Car Connector
- 2.XKB Series No
- 3.Category:H-Housing
- 4.Special No:M-Male Housing
- 5.Row No.Pin No:XX-02 Pin
- 6.Material:N0-PA66 UL94V-0

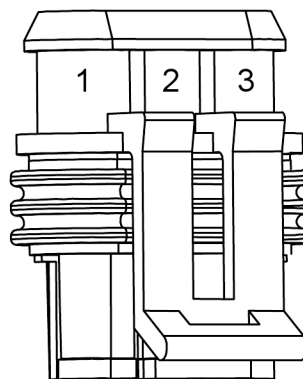
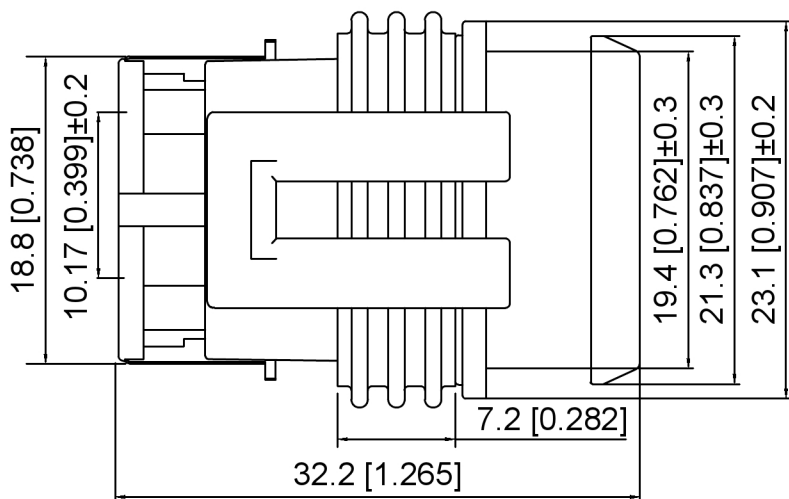
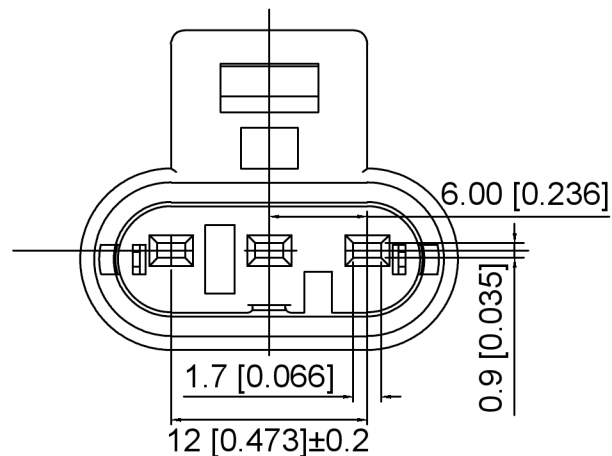
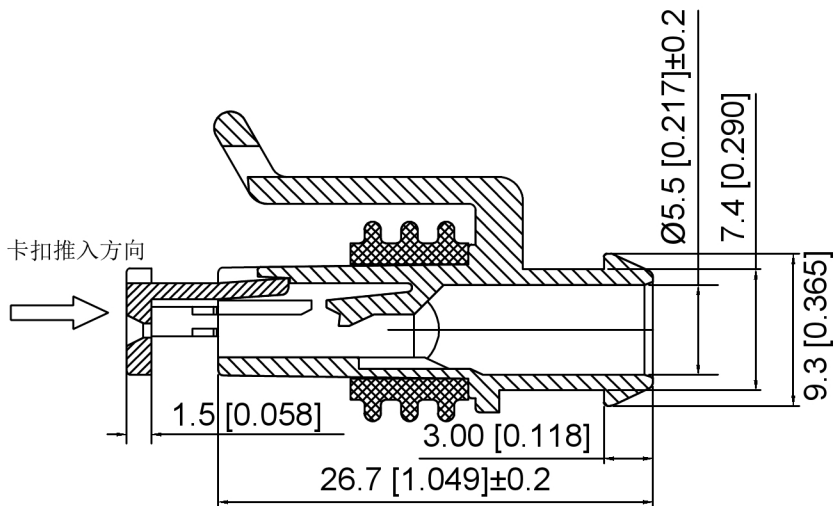
|                 |          |                     |                       |
|-----------------|----------|---------------------|-----------------------|
| K282103HM-XX-N0 | PA66     | K282103HF           | K282103TF             |
| PART NO         | Material | Suitable XKB Female | Suitable XKB Terminal |

|      |             |   |
|------|-------------|---|
| DSND | SCALE: N/A  | MODEL TYPE:<br>6.0mm Automobile connector |
| DWN  | VIEW:       | PART NO.:<br>K282103HM-XX-N0              |
| CHKD | UNIT: mm/in | DWG NO.:<br>X-K282103HM-XX-N0             |
| APPD | SIZE: A4    | WEIGHT SHEET REVISION                     |

|      |             |      |         |          |                        |      |  |
|------|-------------|------|---------|----------|------------------------|------|--|
|      |             |      |         |          | ANGLAR                 | ±5°  |  |
| ΔX   |             |      |         |          | L ≤ 4                  | ±0.2 |  |
| ΔX   |             |      |         |          | 4 < L ≤ 16             | ±0.3 |  |
| ΔX   |             |      |         |          | 16 < L ≤ 63            | ±0.4 |  |
| MARK |             |      |         |          | L > 63                 | ±0.5 |  |
|      | DESCRIPTION | DATE | REVISED | APPROVED | UNSPECIFIED TOLERANCES |      |  |
|      | REVISIONS   |      |         |          |                        |      |  |



XKB INDUSTRIAL PRECISION CO., LIMITED



技术说明

- 1.表明光洁, 无明显缩坑与熔接痕
- 2.Current rating:14A AC/DC  
额定电流: 14A AC/DC
- 3.工作温度: -40°C- +125°C

K 282103 H M - XX - N0  
① ② ③ ④ ⑤ ⑥

- 1.K: XKBTEK-Car Connector
- 2.XKB Series No
- 3.Category:H-Housing
- 4.Special No:M-Male Housing
- 5.Row No.Pin No:XX-03 Pin
- 6.Material:N0-PA66 UL94V-0

|                 |          |                     |                       |
|-----------------|----------|---------------------|-----------------------|
| K282103HM-XX-N0 | PA66     | K282103HF           | K282103TF             |
| PART NO         | Material | Suitable XKB Female | Suitable XKB Terminal |

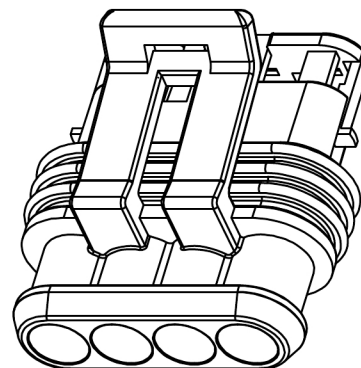
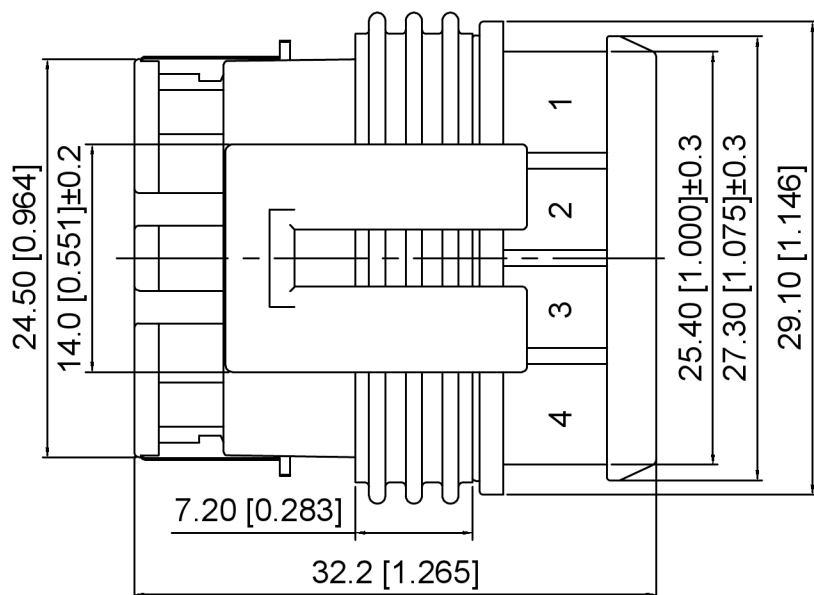
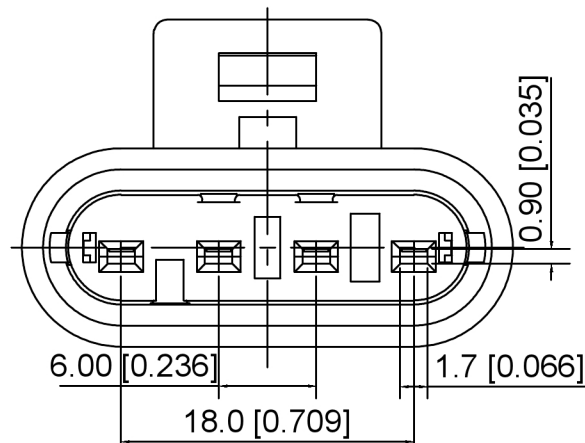
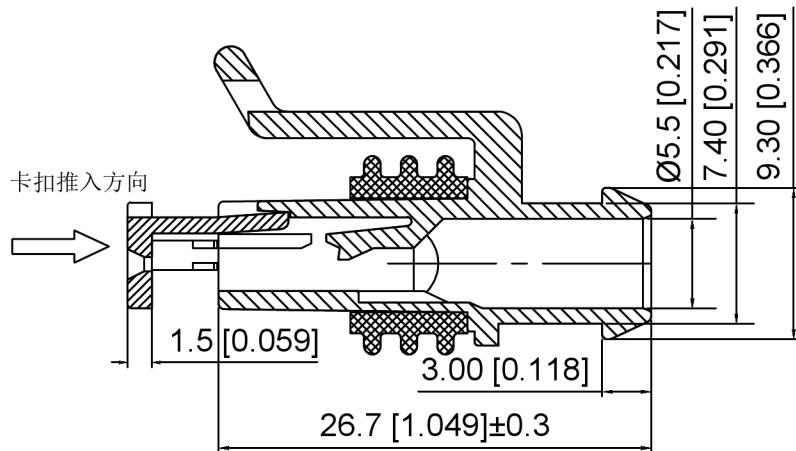
|      |             |   |
|------|-------------|---|
| DSND | SCALE: N/A  | MODEL TYPE:<br>6.0mm Automobile connector |
| DWN  | VIEW:       | PART NO.:<br>K282103HM-XX-N0              |
| CHKD | UNIT: mm/in | DWG NO.:<br>X-K282103HM-XX-N0             |
| APPD | SIZE: A4    | WEIGHT SHEET REVISION<br>1/1 A0           |



XKB INDUSTRIAL PRECISION CO., LIMITED

|                        |      |
|------------------------|------|
| ANGLAR                 | ±5°  |
| L ≤ 4                  | ±0.2 |
| 4 < L ≤ 16             | ±0.3 |
| 16 < L ≤ 63            | ±0.4 |
| L > 63                 | ±0.5 |
| UNSPECIFIED TOLERANCES |      |

| MARK  | DESCRIPTION | DATE | REVISED | APPROVED |
|---|-------------|------|---------|----------|
| ΔX  |             |      |         |          |
| ΔX  |             |      |         |          |
| ΔX  |             |      |         |          |
| REVISIONS                                     |             |      |         |          |
| www.helloxkb.com www.helloxkb.cn www.xk-dg.cn |             |      |         |          |



技术说明

- 1.表明光洁, 无明显缩坑与熔接痕
- 2.Current rating:14A AC/DC  
额定电流: 14A AC/DC
- 3.工作温度: -40°C- +125°C

**K 282103 H M - XX - N0**  
 ① ② ③ ④ ⑤ ⑥

- 1.K: XKBTEK-Car Connector
- 2.XKB Series No
- 3.Category:H-Housing
- 4.Special No:M-Male Housing
- 5.Row No.Pin No:XX-04 Pin
- 6.Material:N0-PA66 UL94V-0

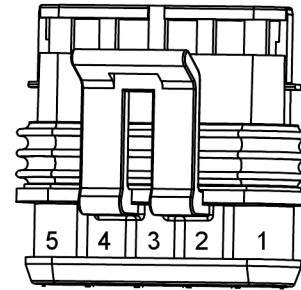
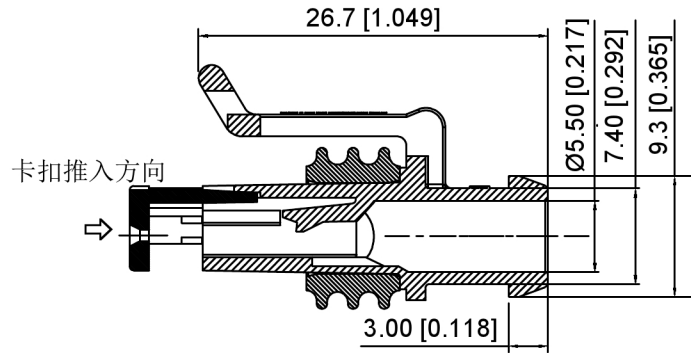
|                 |          |                     |                       |
|-----------------|----------|---------------------|-----------------------|
| K282103HM-XX-N0 | PA66     | K282103HF           | K282103TF             |
| PART NO         | Material | Suitable XKB Female | Suitable XKB Terminal |

|      |             |   |
|------|-------------|---|
| DSND | SCALE: N/A  | MODEL TYPE:<br>6.0mm Automobile connector |
| DWN  | VIEW:       | PART NO.:<br>K282103HM-XX-N0              |
| CHKD | UNIT: mm/in | DWG NO.:<br>X-K282103HM-XX-N0             |
| APPD | SIZE: A4    | WEIGHT SHEET REVISION<br>1/1 A0           |

**XKLB**

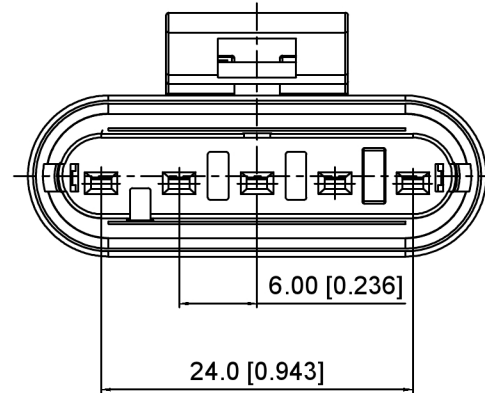
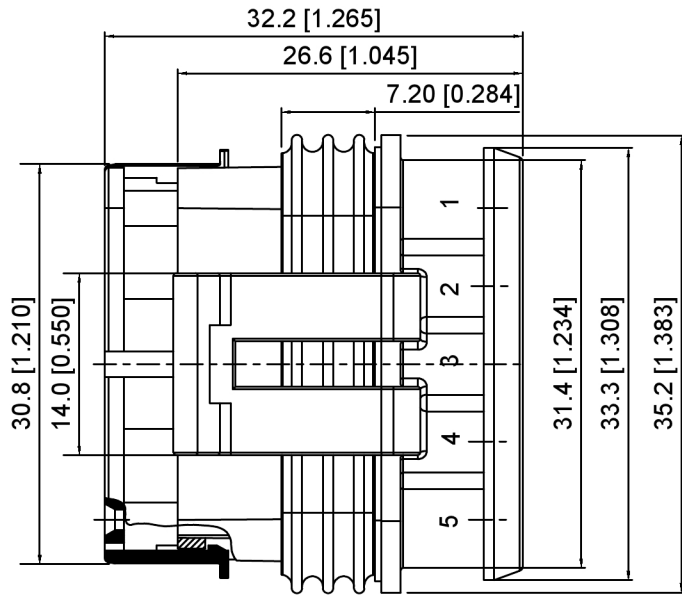
XKB INDUSTRIAL PRECISION CO., LIMITED

|   |             |      |         |          |                        |      |
|---|-------------|------|---------|----------|------------------------|------|
|   |             |      |         |          | ANGLAR                 | ±5°  |
| ΔX  |             |      |         |          | L ≤ 4                  | ±0.2 |
| ΔX  |             |      |         |          | 4 < L ≤ 16             | ±0.3 |
| ΔX  |             |      |         |          | 16 < L ≤ 63            | ±0.4 |
| MARK  | DESCRIPTION | DATE | REVISED | APPROVED | L > 63                 | ±0.5 |
| REVISIONS                                     |             |      |         |          | UNSPECIFIED TOLERANCES |      |
| www.helloxkb.com www.helloxkb.cn www.xk-dg.cn |             |      |         |          |                        |      |



技术说明

- 1.表明光洁, 无明显缩坑与熔接痕
- 2.Current rating:14A AC/DC  
额定电流: 14A AC/DC
- 3.工作温度: -40℃- +125℃



**K 282103 H M - XX - N0**  
 ① ② ③ ④ ⑤ ⑥

- 1.K: XKBTEK-Car Connector
- 2.XKB Series No
- 3.Category:H-Housing
- 4.Special No:M-Male Housing
- 5.Row No.Pin No:XX-05 Pin
- 6.Material:N0-PA66 UL94V-0

|                 |          |                     |                       |
|-----------------|----------|---------------------|-----------------------|
| K282103HM-XX-N0 | PA66     | K282103HF           | K282103TF             |
| PART NO         | Material | Suitable XKB Female | Suitable XKB Terminal |

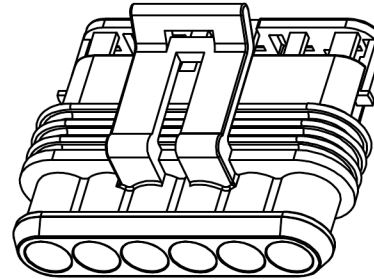
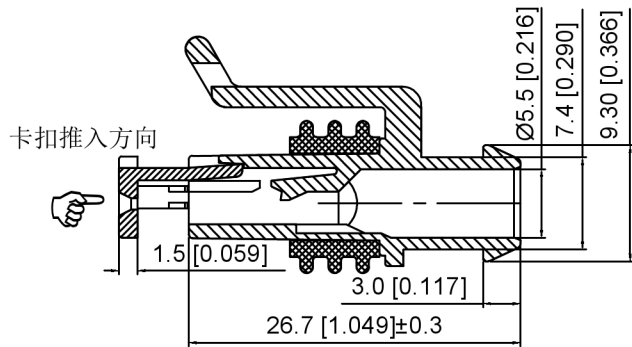
|      |             |   |
|------|-------------|---|
| DSND | SCALE: N/A  | MODEL TYPE:<br>6.0mm Automobile connector |
| DWN  | VIEW:       | PART NO.:<br>K282103HM-XX-N0              |
| CHKD | UNIT: mm/in | DWG NO.:<br>X-K282103HM-XX-N0             |
| APPD | SIZE: A4    | WEIGHT SHEET REVISION                     |
|      |             | 1/1 A0                                    |



XKB INDUSTRIAL PRECISION CO., LIMITED

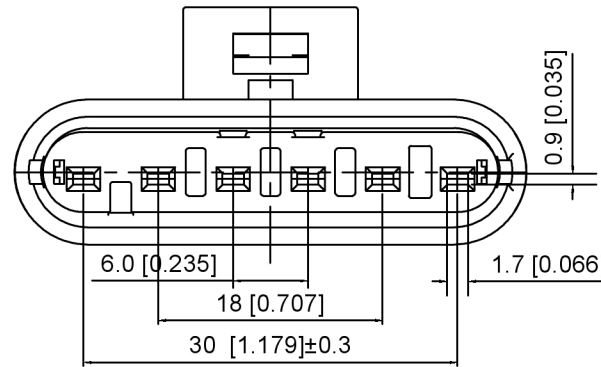
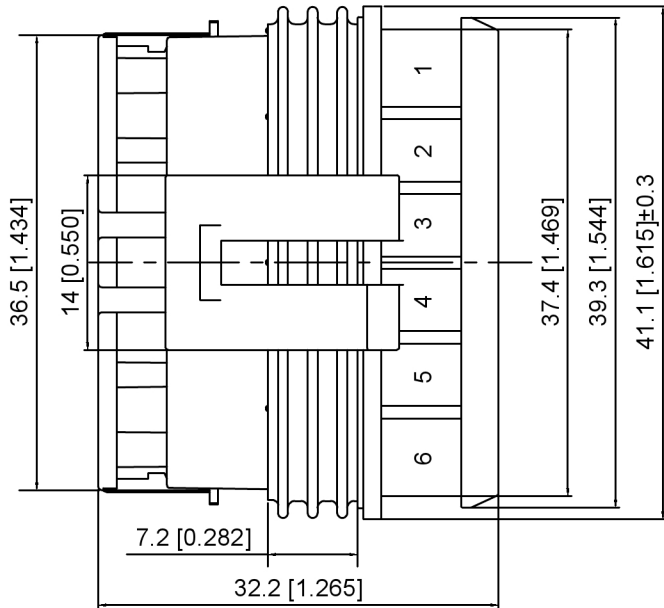
|                        |      |
|------------------------|------|
| ANGLAR                 | ±5°  |
| L ≤ 4                  | ±0.2 |
| 4 < L ≤ 16             | ±0.3 |
| 16 < L ≤ 63            | ±0.4 |
| L > 63                 | ±0.5 |
| UNSPECIFIED TOLERANCES |      |

| MARK | DESCRIPTION | DATE | REVISED | APPROVED |
|------|-------------|------|---------|----------|
| ΔX   |             |      |         |          |
| ΔX   |             |      |         |          |
| ΔX   |             |      |         |          |



技术说明

- 1.表明光洁, 无明显缩坑与熔接痕
- 2.Current rating: 14A AC/DC  
额定电流: 14A AC/DC
- 3.工作温度: -40°C- +125°C



K 282103 H M - XX - N0  
 ① ② ③ ④ ⑤ ⑥

- 1.K: XKBTEK-Car Connector
- 2.XKB Series No
- 3.Category:H-Housing
- 4.Special No:M-Male Housing
- 5.Row No.Pin No:XX-06 Pin
- 6.Material:N0-PA66 UL94V-0

|                 |          |                     |                       |
|-----------------|----------|---------------------|-----------------------|
| K282103HM-XX-N0 | PA66     | K282103HF           | K282103TF             |
| PART NO         | Material | Suitable XKB Female | Suitable XKB Terminal |

|      |             |   |
|------|-------------|---|
| DSND | SCALE: N/A  | MODEL TYPE:<br>6.0mm Automobile connector |
| DWN  | VIEW:       | PART NO.:<br>K282103HM-XX-N0              |
| CHKD | UNIT: mm/in | DWG NO.:<br>X-K282103HM-XX-N0             |
| APPD | SIZE: A4    | WEIGHT SHEET REVISION                     |



XKB INDUSTRIAL PRECISION CO., LIMITED

|        |       |          |
|--------|-------|----------|
| WEIGHT | SHEET | REVISION |
|        | 1/1   | A0       |

|           |             |      |         |          |                        |      |
|-----------|-------------|------|---------|----------|------------------------|------|
|           |             |      |         |          | ANGLAR                 | ±5°  |
| ΔX        |             |      |         |          | L ≤ 4                  | ±0.2 |
| ΔX        |             |      |         |          | 4 < L ≤ 16             | ±0.3 |
| ΔX        |             |      |         |          | 16 < L ≤ 63            | ±0.4 |
| MARK      | DESCRIPTION | DATE | REVISED | APPROVED | L > 63                 | ±0.5 |
| REVISIONS |             |      |         |          | UNSPECIFIED TOLERANCES |      |