

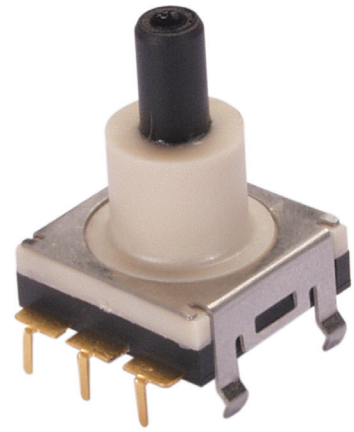
**SERIES 62P**  
Low Cost, PC Mount

**FEATURES**

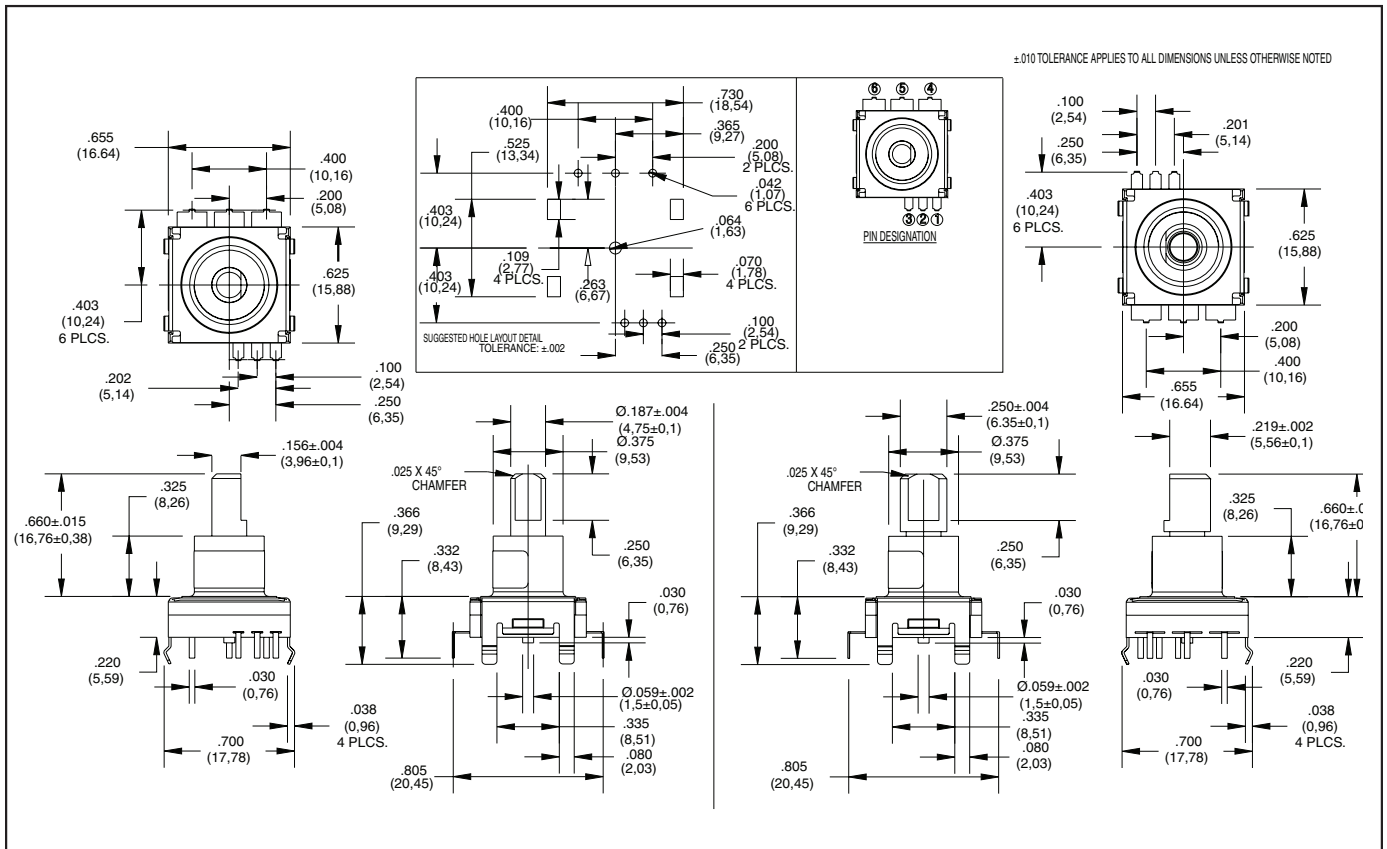
- Low Cost
- Compact Size
- PC Mount
- No De-Bouncing Required
- Reliable, Up to 2 Million Cycles
- Choice of Detent and Pushbutton Force
- Available in 16 Positions
- Quadrature Output

**APPLICATION**

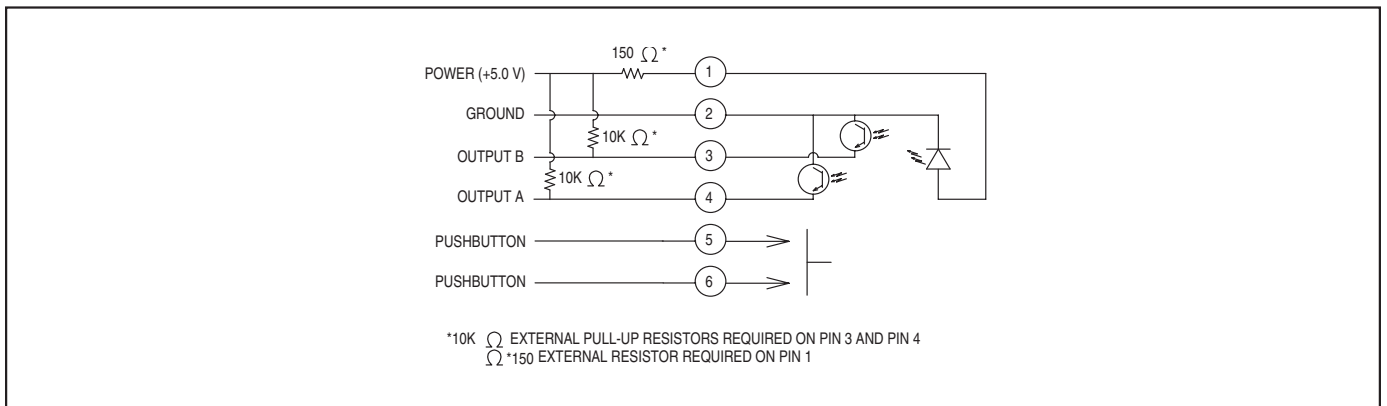
- Automotive Controls
- White Goods
- Audio



**DIMENSIONS** In inches (and millimeters)

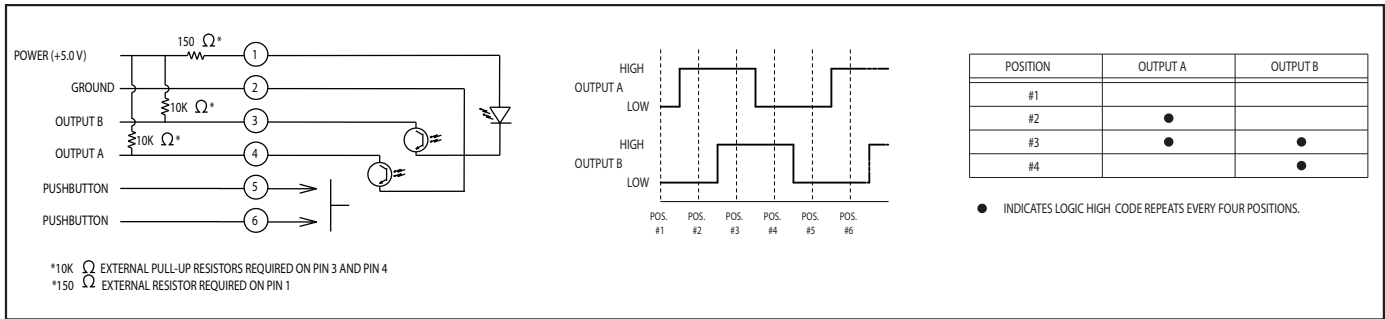


**CIRCUITRY**



Optical and Mechanical Encoders

## WAVEFORM AND TRUTH TABLE Standard Quadrature 2-bit Code



## SPECIFICATIONS

### Electrical Ratings

**Operating Voltage:** 5 Vdc +/- .25 Vdc  
**Supply Current:** 30mA maximum at 5 Vdc  
**Logic High:** 3.0V minimum  
**Logic Low:** 1.0V maximum  
**Logic Rise and Fall:** less than 30 ms

### Pushbutton Switch Ratings

**Rating:** 5.0 Vdc at 10mA resistive  
**Contact Resistance:** less than 10 ohms (TTL or CMOS compatible)  
**Voltage Breakdown:** 250 Vac between mutually insulated parts  
**Contact Bounce:** less than 4 ms at make and less than 10 ms at break  
**Actuation Life:** 3,000,000 operations  
**Actuation Force:** 6: 600 +/- 200 grams  
 4: 450 +/- 150 grams  
**Shaft Travel:** .015 ± .010 inch

### Mechanical Ratings

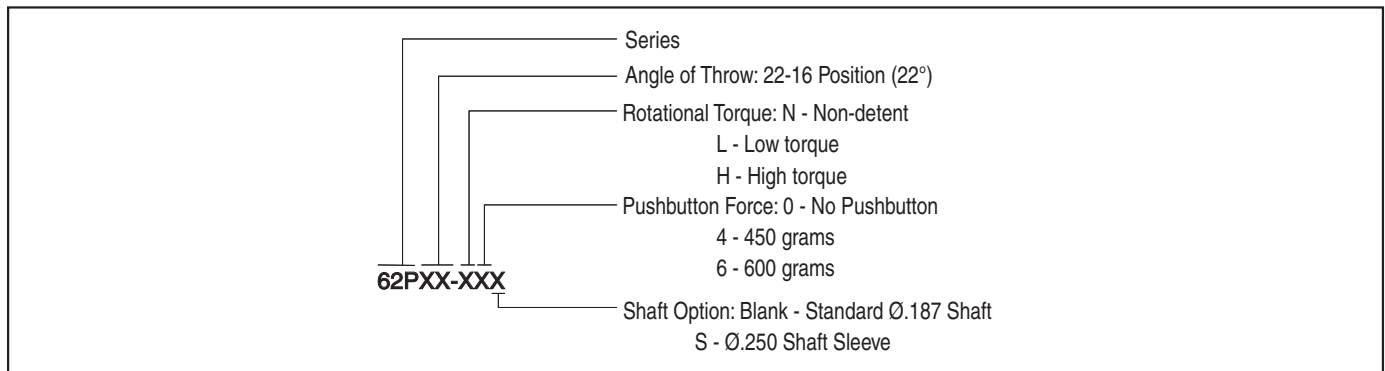
**Operating Torque:**  
 H: 1.4 in-oz +/- 0.6 in-oz initial  
 L: 0.6 in-oz +/- 0.3 in-oz initial  
 N: <0.5 in-oz initial  
**Rotational Life:**  
 H&L: 500,000 cycles  
 N: 2 million cycles  
 (1 cycle = 360 degree rotation and return)  
**Shaft Push Out Force:**  
 20 lbs minimum  
**Operating Speed:** 100 RPM maximum  
**Axial Shaft Play:** .010 maximum  
**Environmental Ratings**  
**Operating Temperature Range:**  
 -40°C to 85°C  
**Storage Temperature Range:**  
 -55°C to 100°C  
**Relative Humidity:** 90-95% at 40°C for 96 hours  
**Vibration Resistance:** Harmonic motion with Amplitude of 15g, within a varied 10 to 2000 Hz frequency for 12 hours per MIL-STD-202, Method 204  
**Mechanical Shock Resistance:**  
 Test 1: Tested at 100g for 6mS, half sine, 12.3 ft/s.

Test 2: 100g for 6mS, Sawtooth, 9.7 ft/s

### Materials and Finishes

**Code/Pushbutton Housing:** Thermoplastic  
**Shaft:** Thermoplastic  
**Code/Detent Rotor:** Reinforced Thermoplastic  
**Bushing:** Thermoplastic  
**Terminal Pins:** Brass, Tin plated  
**Detent Spring:** Stainless Steel  
**Dome:** Stainless Steel  
**Pushbutton Contact:** Nickel plated brass  
**Phototransistor:** Planar Silicon  
**Detent Balls:**  
 .0625 dia. Stainless Steel  
**Infrared Emitter:**  
 Gallium Aluminum Arsenide  
**Label:**  
 White Thermal Transfer Cast Film.  
 Adhesive Coated  
**Bracket:** Stainless Steel, Tin plated

## ORDERING INFORMATION



# Mouser Electronics

Authorized Distributor

Click to View Pricing, Inventory, Delivery & Lifecycle Information:

Grayhill:

[62P22-H0](#) [62P22-H6](#) [62P22-L4](#) [62P22-L4S](#) [62P22-L6](#) [62P22-L6S](#) [62P22-N4](#) [62P22-L0](#) [62P22-L0S](#) [62P22-H0S](#)  
[62P22-H4S](#) [62P22-H6S](#)