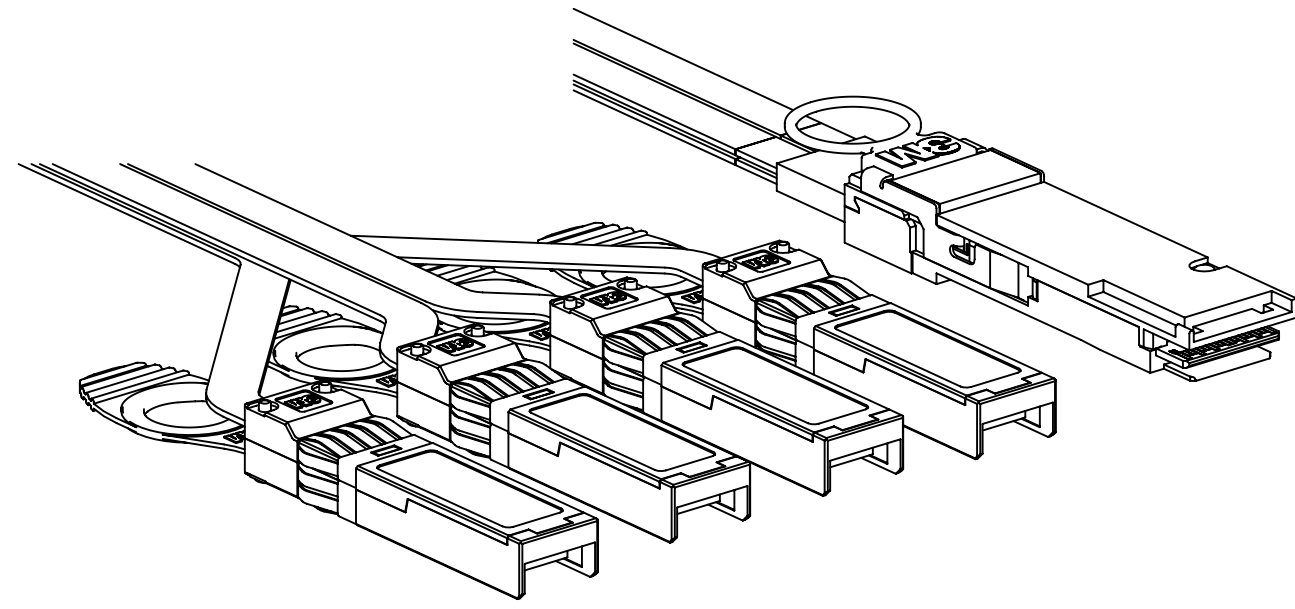


3M™ 100G QSFP28 TO 4X SFP28 DIRECT ATTACH COPPER CABLE ASSEMBLIES, 9S SERIES



- NOTES:
- ORDERING INFORMATION: REFER TO PART NUMBER TABLE.
 - REFER TO PART NUMBER TABLE FOR CABLE LENGTH, WIDTH AND WIRE AWG.
 - DESIGN TO MEET STANDARDS: IEEE 802.3bJ, SFF-8661, 8662, 8665, 8431.
 - MATERIAL:
 - JACKET FOR CABLE: HALOGEN-FREE* CL2, COLOR: BLACK.
 - METAL SHELL: NICKEL PLATED ZINC ALLOY.
 - PULL TAB: HALOGEN-FREE* THERMOPLASTIC, COLOR: BLACK.
 - PCB: HALOGENATED FLAME RETARDANT
 - ALL CABLE ASSEMBLIES ARE INDIVIDUALLY BAGGED.
 - UNLESS OTHERWISE NOTED, REFERENCES TO INDUSTRY SPECIFICATIONS ARE INTENDED TO INDICATE SUBSTANTIAL COMPLIANCE TO THE MATERIAL ELEMENTS OF THE SPECIFICATIONS. SUCH REFERENCES SHOULD NOT BE CONSTRUED AS A GUARANTEE OF COMPLIANCE TO ALL REQUIREMENTS IN THE STANDARD.
 - REGULATORY INFORMATION: VISIT 3M.com/regs OR CONTACT YOUR 3M REPRESENTATIVE TO FIND THE RoHS COMPLIANCE STATUS OF THE 3M PART YOU ARE INTERESTED IN.
 - * HALOGEN-FREE IS DEFINED AS BOTH (1) NO HALOGEN COMPOUNDS ARE INTENTIONALLY ADDED TO THE PRODUCT OR USED IN THE MANUFACTURING PROCESS FOR THE PRODUCT, AND (2) ANY IMPURITIES PRESENT ARE LESS THAN 900 PPM BROMINE, LESS THAN 900 PPM CHLORINE, AND/OR LESS THAN 1500 PPM TOTAL BROMINE AND CHLORINE.

QSFP28 LOW SPEED SIGNALS	
P1	
POS	SIGNAL
8	ModSelL
9	ResetL
10	VccRx
11	SCL
12	SDA
27	ModPrsL
28	IntL
29	VccTx
30	VccI
31	LPMODE

QSFP28: P1 END					
POS.	SIGNAL	SPF+ END	POS.	SIGNAL	
1	GND (TX)				
2	TX2n	P3	12	RxN	
3	TX2p		13	RxP	
4	GND (TX)				
5	TX4n	P5	12	RxN	
6	TX4p		13	RxP	
7	GND (TX)				
13	GND (RX)				
14	RX3p	P4	18	TxP	
15	RX3n		19	TxN	
16	GND (RX)				
17	RX1p	P2	18	TxP	
18	RX1n		19	TxN	
19	GND (RX)				
20	GND (RX)				
21	RX2n	P3	19	TxN	
22	RX2p		18	TxP	
23	GND (RX)				
24	RX4n	P5	19	TxN	
25	RX4p		18	TxP	
26	GND (RX)				
32	GND (TX)				
33	TX3P	P4	13	RxP	
34	TX3n		12	RxN	
35	GND (TX)				
36	TX1p	P2	13	RxP	
37	TX1n		12	RxN	
38	GND (RX)				

Regulatory: For regulatory information about this product, visit 3M.com/regs or contact your 3M representative.

Technical Information: The technical information, recommendations and other statements contained in this document are based upon tests or experience that 3M believes are reliable, but the accuracy or completeness of such information is not guaranteed.

Product Use: Many factors beyond 3M's control and uniquely within user's control can affect the use and performance of a 3M product in a particular application. Given the variety of factors that can affect the use and performance of a 3M product, user is solely responsible for evaluating the 3M product and determining whether it is fit for a particular purpose and suitable for user's method of application.

Warranty, Limited Remedy, and Disclaimer: Unless an additional warranty is specifically stated on the applicable 3M product packaging or product literature, 3M warrants that each 3M product meets the applicable 3M product specification at the time 3M ships the product. 3M MAKES NO OTHER WARRANTIES OR CONDITIONS, EXPRESS OR IMPLIED, INCLUDING, BUT NOT LIMITED TO, ANY IMPLIED WARRANTY OR CONDITION OF MERCHANTABILITY OR FITNESS FOR A PARTICULAR PURPOSE OR ANY IMPLIED WARRANTY OR CONDITION ARISING OUT OF A COURSE OF DEALING, CUSTOM OR USAGE OR TRADE. If the 3M product does not conform to this warranty, then the sole and exclusive remedy is, at 3M's option, replacement of the 3M product or refund of the purchase price.

Limitation of Liability: Except where prohibited by law, 3M will not be liable for any loss or damage arising from the 3M product, whether direct, indirect, special, incidental or consequential, regardless of the legal theory asserted, including warranty, contract, negligence or strict liability.

3M Company
 Electronics Materials Solutions Division
 13011 McCallen Pass, Bldg. C
 Austin, TX 78753-5380
 1-800-225-5373
www.3M.com/interconnect

ORDERING INFORMATION

9SR- AXX- ABC- X.XX

(LENGTH IN METERS)

CABLE:
 D6 = 30 AWG, CL2, WITH SHIELD, MAX LENGTH 2 METERS
 D5 = 26 AWG, CL2, WITH SHIELD, MAX LENGTH 4.5 METERS

NOTE:
 FOR CUSTOM LENGTHS CONTACT A 3M SALES REPRESENTATIVE.

ORDERING INFO.	CABLE AWG	ASSEMBLY LENGTH "A"	BREAKOUT LENGTH "B"	LENGTH TOLERANCE
9SR-AD6-ABC-0.50	30	0.5M	0.5M	+/-25MM
9SR-AD6-ABC-1.00		1.00M	1.00M	
9SR-AD6-ABC-2.00		2.00M	1.00M	
9SR-AD5-ABC-3.00	26	3.00M	1.00M	+/-50MM
9SR-AD5-ABC-4.00		4.00M	1.00M	

DESIGN REFERENCE	NEXT ASSEMBLY	REV	ECO	ISSUE DATE AND DESCRIPTION	DRFT	CHKD
		DRFT	CASTIGLIONE	DATE	DATE	DATE
		CHKD		DATE	DATE	DATE
		APPR	B. DOYE	DATE	DATE	DATE
DIVISION	DIVISION CODE	© 3M COPYRIGHT 2019 This document and the information it contains are 3M property and may not be reproduced or further distributed without 3M permission, or used or disclosed other than for 3M authorized purposes. All rights reserved.				
DO NOT SCALE DRAWING	SCALE	TOLERANCES EXCEPT AS NOTED INCHES .0 ± .00 ± .000 ± .0000 ± MILLIMETERS 0 ± .0 ± .00 ± .000 ± MAX SURFACE ROUGHNESS ALL SURFACES MARKED ONLY				
THIRD ANGLE PROJECTION	INTERPRET PER ASME Y14.5 - 2009	TITLE 100G QSFP28 TO 4X SFP28 DAC CABLE ASS'Y, 9S SERIES				
		CAGE NUMBER	SIZE	DRAWING NO.	REV.	
		D		78-5100-2679-8	B	
		MODEL	OSFP28	DET	LISTS	YES <input type="checkbox"/> NO <input type="checkbox"/>

3M ELECTRONICS MATERIALS SOLUTIONS DIVISION
 INTERCONNECT SOLUTIONS
<http://www.3M.com/interconnect>

3M IS A TRADEMARK OF 3M COMPANY.
 FOR TECHNICAL, SALES OR ORDERING
 INFORMATION CALL 800-225-5373

78-5100-2679-B
DRAWING NUMBER

A

SHT 2 OF 2