

# 承 认 书

SPECIFICATION FOR APPROVAL

客户 (CUSTOMER): \_\_\_\_\_

产品名称 (PRODUCT NAME): 电磁式蜂鸣器 (内含驱动线路)

型号 (TYPE): YS-MBZ12095DYB03

客户料号 (CUSTOMER NO) \_\_\_\_\_

日期 (DATE): 2019-07-20

客户确认: (签章)
日期:

## 东 莞 市 锋 鸣 电 子 有 限 公 司

电话: 0769-88036425

传真: 0769-85474556

制单: 李琳

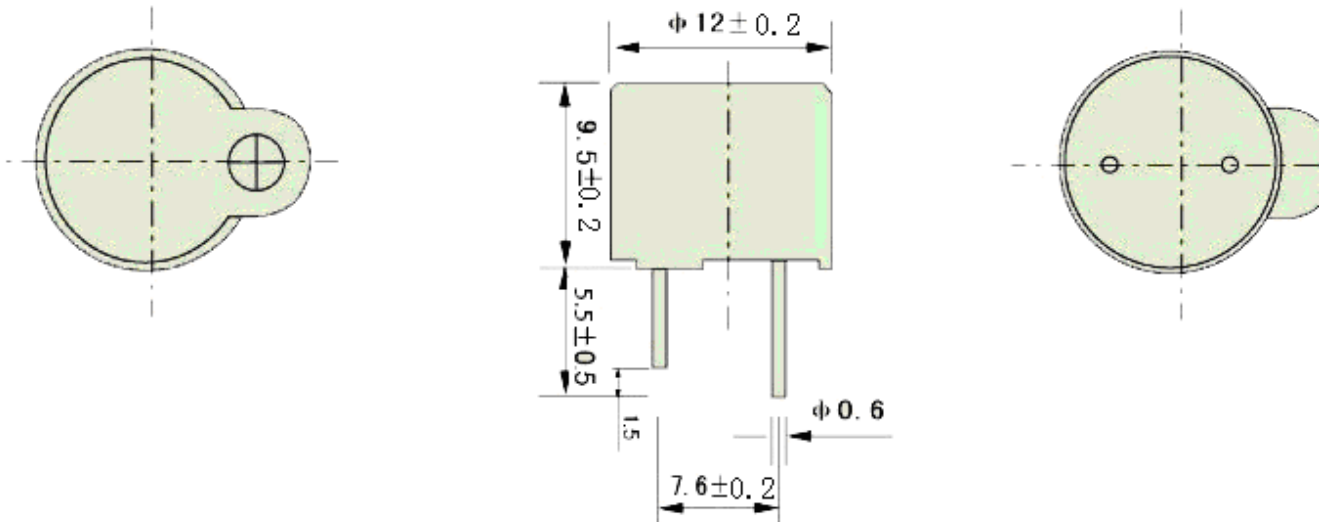
业务: 宋浩亮

工程: 黄鑫

# FENGMING TECH OF DONGGUAN CO.,LTD

YS-MBZ12095DYB03

DIMENSIONS Unit:mm Tolerance:  $\pm 0.5\text{mm}$



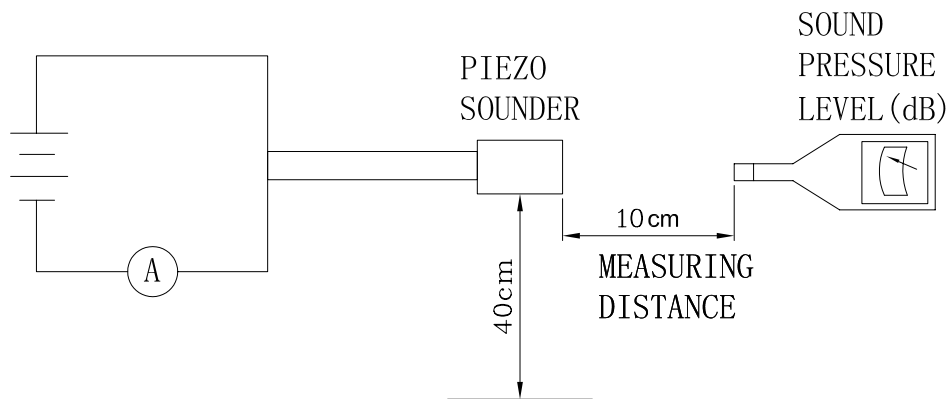
## SPECIFICATIONS:

Model NO	YS-MBZ12095DYB03
Rated Voltage	3VDC
Operating Voltage	2.0~5.0VDC
Max.Rated Current	Max.30mA
sound Pressure level(dB/min)at10cm	Min 85dB
Resonant Frequency	$2300 \pm 300\text{Hz}$
Operating Temperature	$-20^{\circ}\text{C} \sim +70^{\circ}\text{C}$
Storage Temperature	$-30^{\circ}\text{C} \sim +80^{\circ}\text{C}$

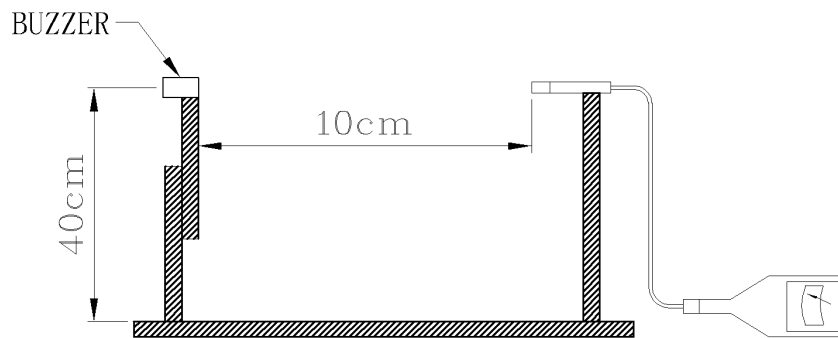
建议蜂鸣器焊接温度：255+/-5 度

## Acoustic Characteristics:

The oscillation frequency, current consumption and sound pressure are measured by the measuring instruments shown below



In the measuring test, buzzer is placed as follows:



## Typical Frequency Response Curve

