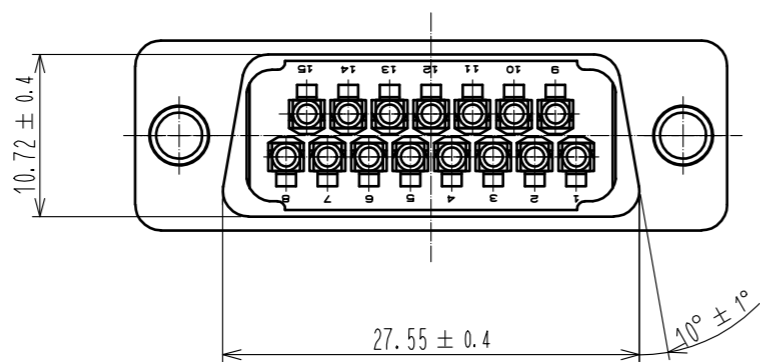
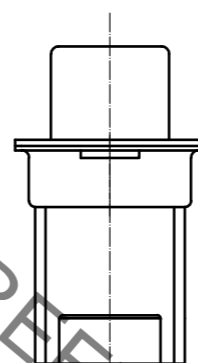
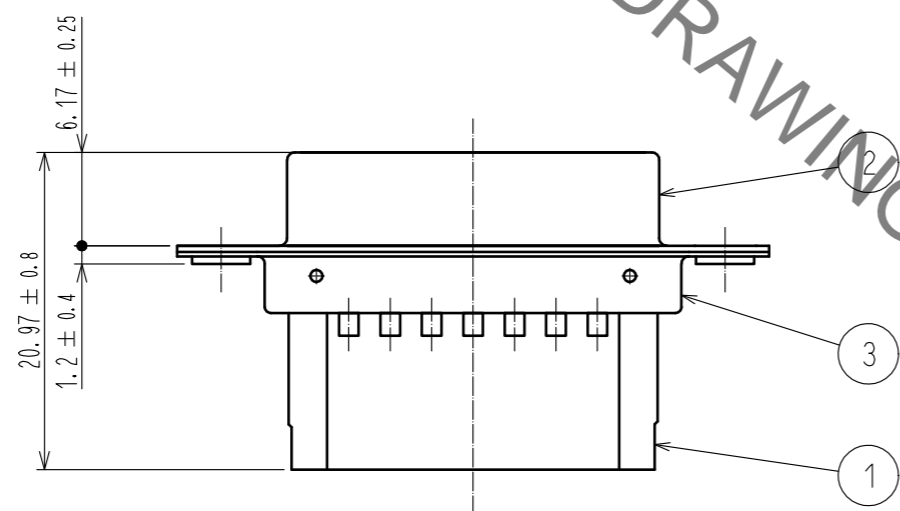
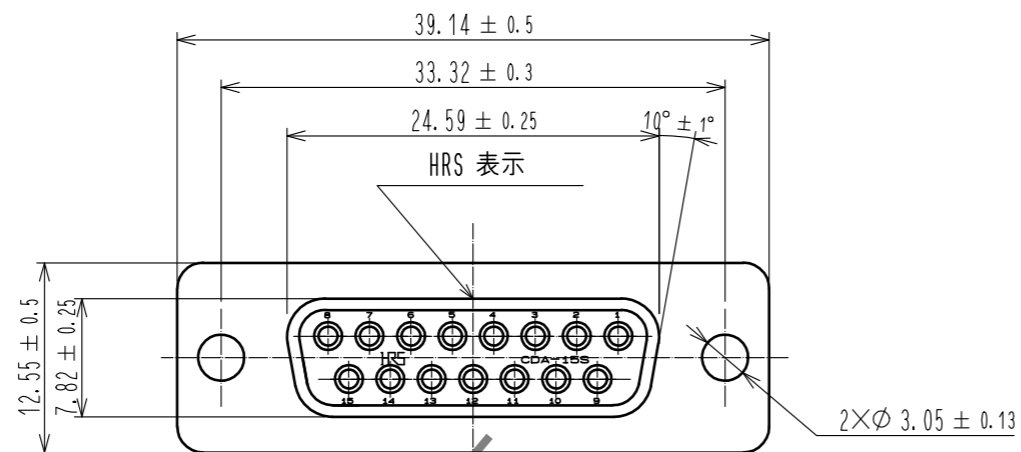


Oct.1.2019 Copyright 2019 HIROSE ELECTRIC CO., LTD. All Rights Reserved.
 In case of consideration for using Automotive equipment / device which demand high reliability, kindly contact our sales window correspondents.



HRS DRAWING FOR REFERENCE

2	Steel	Nickel plating 1μm min.					
1	PBT	Black, UL94V-0	3	Steel Nickel plating 1μm min.			
NO.	MATERIAL	FINISH . REMARKS	NO.	MATERIAL FINISH . REMARKS			
UNITS mm		SCALE 2 : 1	COUNT 	DESCRIPTION OF REVISIONS	DESIGNED	CHECKED	DATE
HRS HIROSE ELECTRIC CO., LTD.		APPROVED : RI. TAKAYASU	20181011	DRAWING NO.	EDC-010056-05-00		
		CHECKED : AH. KODAMA	20181011	PART NO.	CDA-15S(05)		
		DESIGNED : YS. SAKODA	20181011	CODE NO.	CL211-0280-9-05		
		DRAWN : KIM JAEHYEON	20181011				

Mouser Electronics

Authorized Distributor

Click to View Pricing, Inventory, Delivery & Lifecycle Information:

[Hirose Electric:](#)

[CDA-15S\(05\)](#)