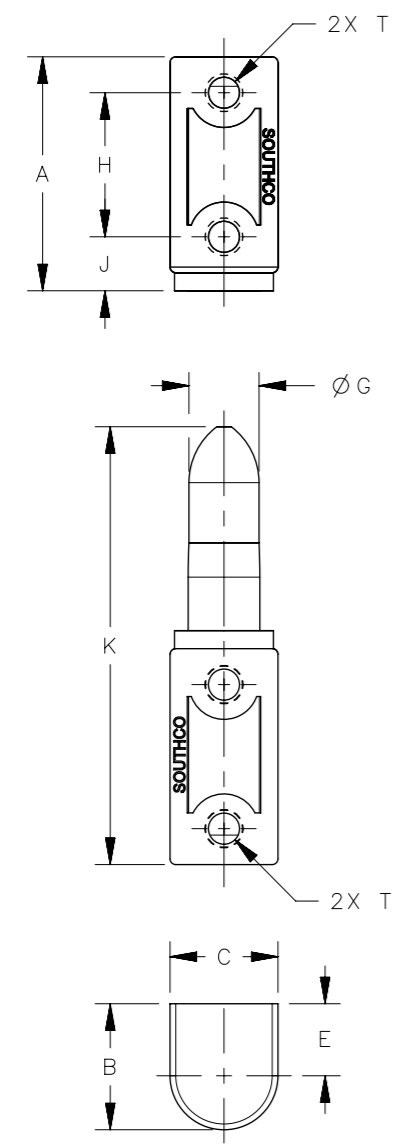


REVISION HISTORY			
REV	DATE	BY	DESCRIPTION
F	01OCT2021	KSH/HPD	PRN: P2021-1931

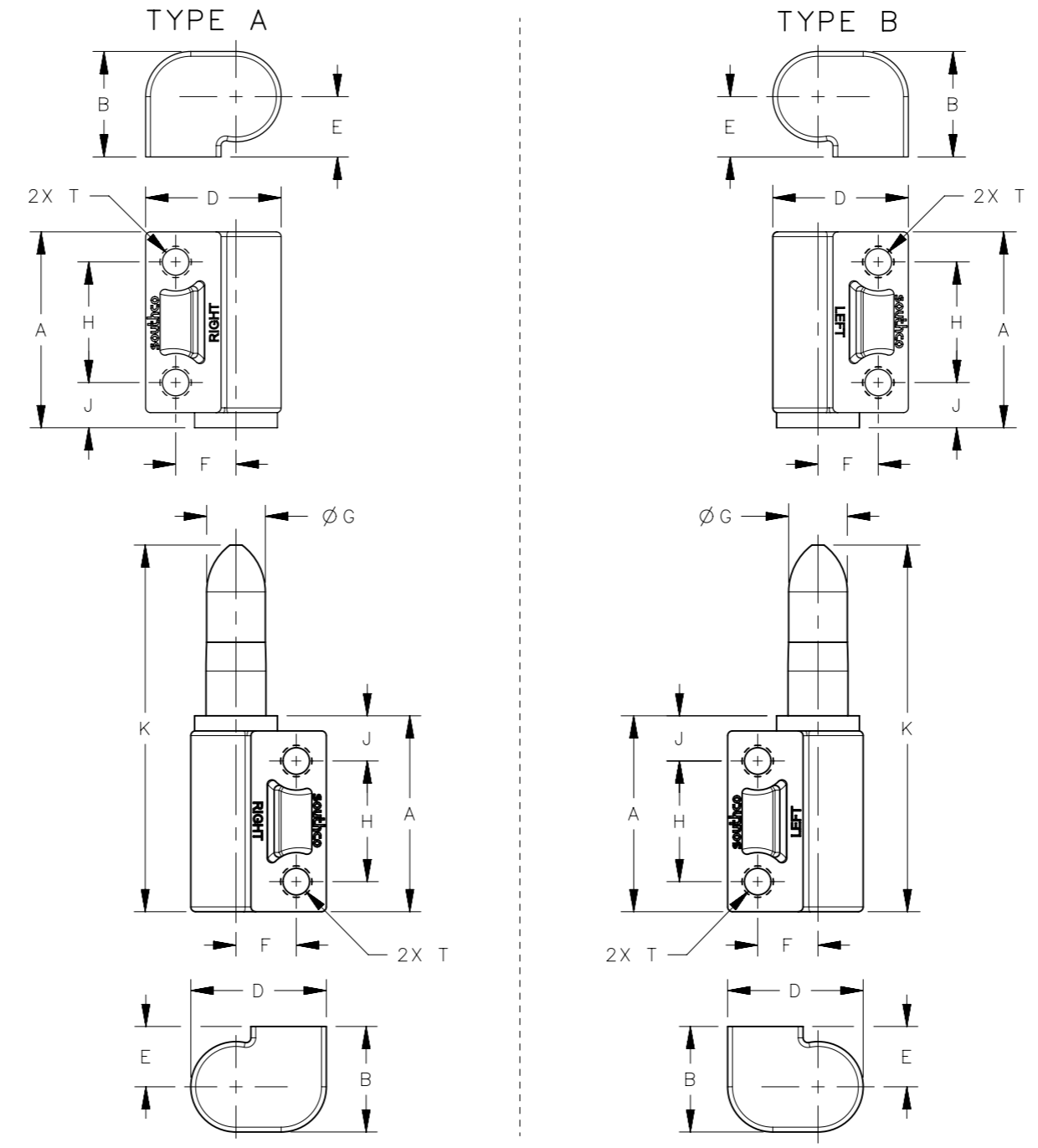
IN-LINE KNUCKLE STYLE

PAT. DES. 268,733



OFFSET KNUCKLE STYLE

PAT. DES. 263,370



SIZE (SERIES)	ASSEMBLY PART NUMBERS			DIMENSIONS										MOUNTING HOLE THREAD SIZE T	
	IN-LINE KNUCKLE STYLE	OFFSET KNUCKLE STYLE		A	B	C	D	E	F	G	H	J	K		
		TYPE A	TYPE B												
300	96-50-300-11	96-50-310-11	96-50-320-11	31	16.7	14.3	21.4	9.5	9.5	9.5	19.1	7.1	57.9	M5 X 0.8	
400	96-50-400-11	96-50-410-11	96-50-420-11	41.3	22.2	19.1	28.6	12.7	12.7	12.7	25.4	9.5	77.8	M6 X 1	
	SERIES	STYLE	ASSEMBLY	PIN/KNUCKLE	KNUCKLE	COLOR									

- NOTES:
- MATERIAL: THERMOPLASTIC
 - A HINGE ASSEMBLY CONSISTS OF ONE HINGE KNUCKLE WITH A PIN AND ONE WITHOUT A PIN.
 - MAXIMUM RECOMMENDED TIGHTENING TORQUE FOR MOUNTING SCREWS:
 300 SERIES: 2.25Nm
 400 SERIES: 4.50Nm

THIRD ANGLE PROJECTION					
MILLIMETERS [IN]					
SURFACE AREA	TOLERANCES UNLESS OTHERWISE NOTED		DESCRIPTION		
VOLUME	ALL DIMENSIONS WITHOUT TOLERANCES ARE FOR REFERENCE ONLY		NO. 96 LIFT-OFF HINGES FREE SWINGING - METRIC		
PROPRIETARY ITEM	SIZE A3	SYSTEM NX	DWG NO. J-96-5		
EXCEPT FOR USES EXPRESSLY GRANTED IN WRITING, INFORMATION DISCLOSED HEREON IS CONFIDENTIAL AND ALL RIGHTS, PATENT AND OTHERWISE, ARE RESERVED BY SOUTHCO, INC.	PER ASME Y14.5M-1994	DRAWN BY AJF	DATE 06JUL1983	SCALE 1:1	SHEET 1 OF 1