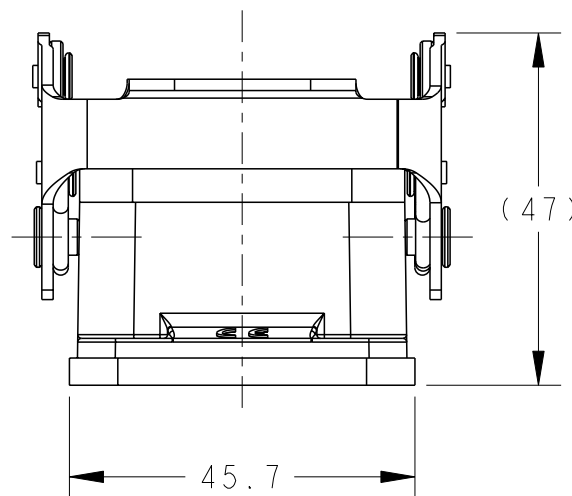
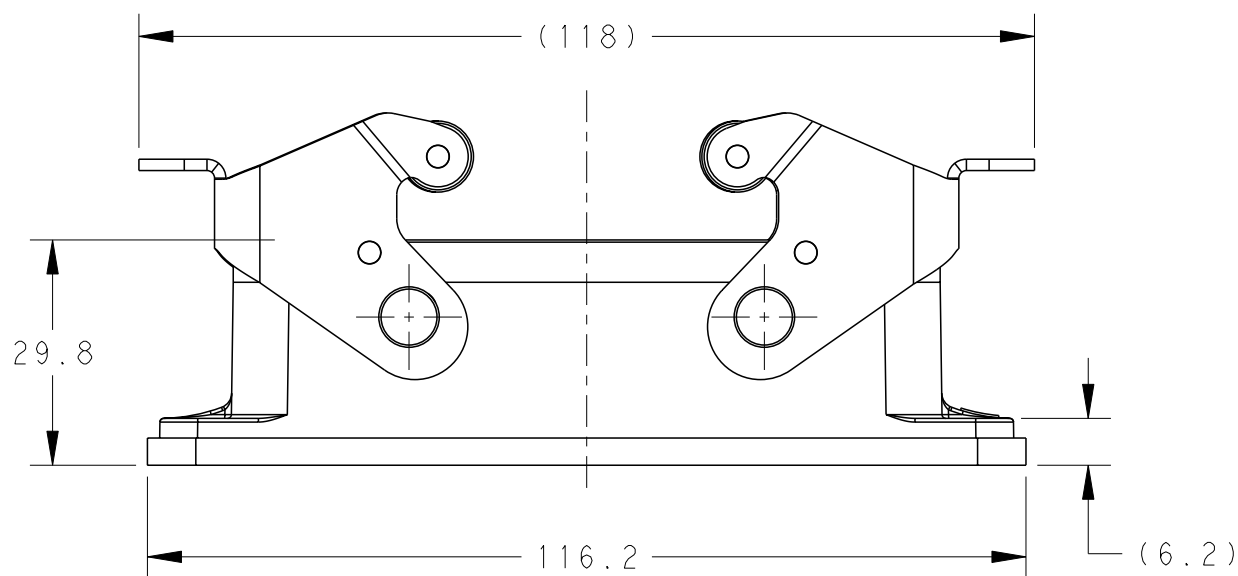


THIS DRAWING IS UNPUBLISHED. RELEASED FOR PUBLICATION 20  
 © COPYRIGHT 20 BY - ALL RIGHTS RESERVED.

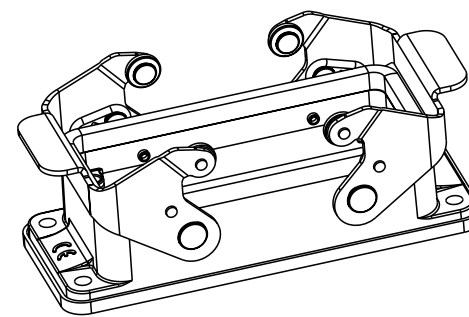
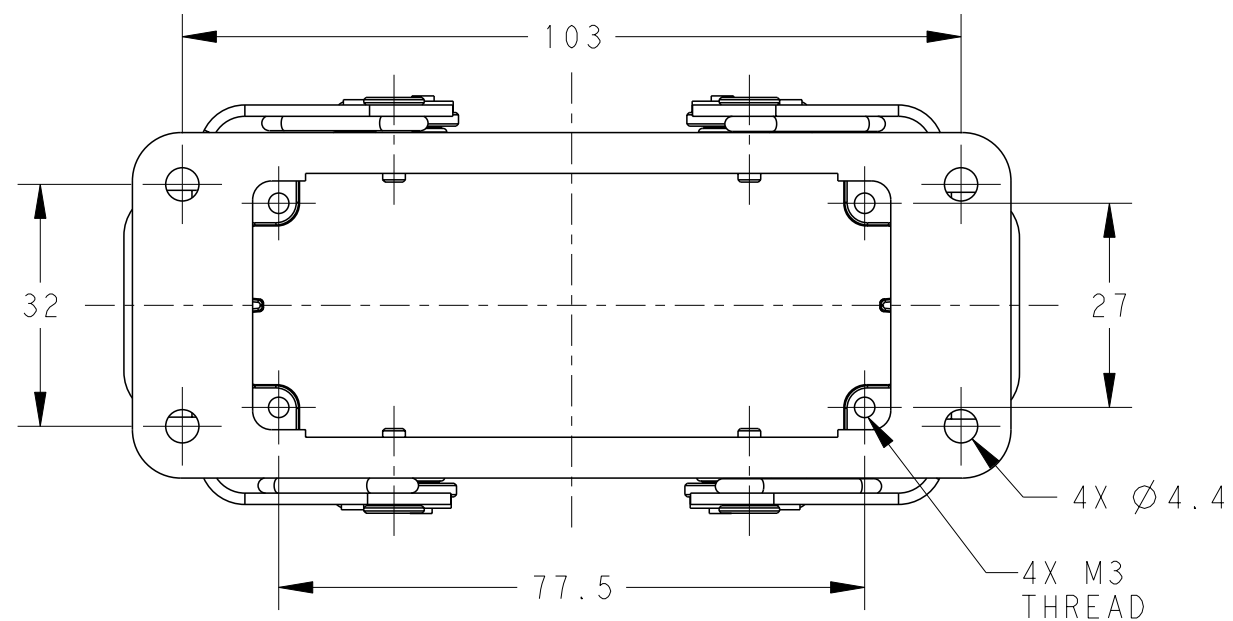
REVISIONS

P	LTR	DESCRIPTION	DATE	DWN	APVD
A		INITIAL	25JUN2015	DW	CW
B		ECR-20-008190	07SEP2020	WQR	CW

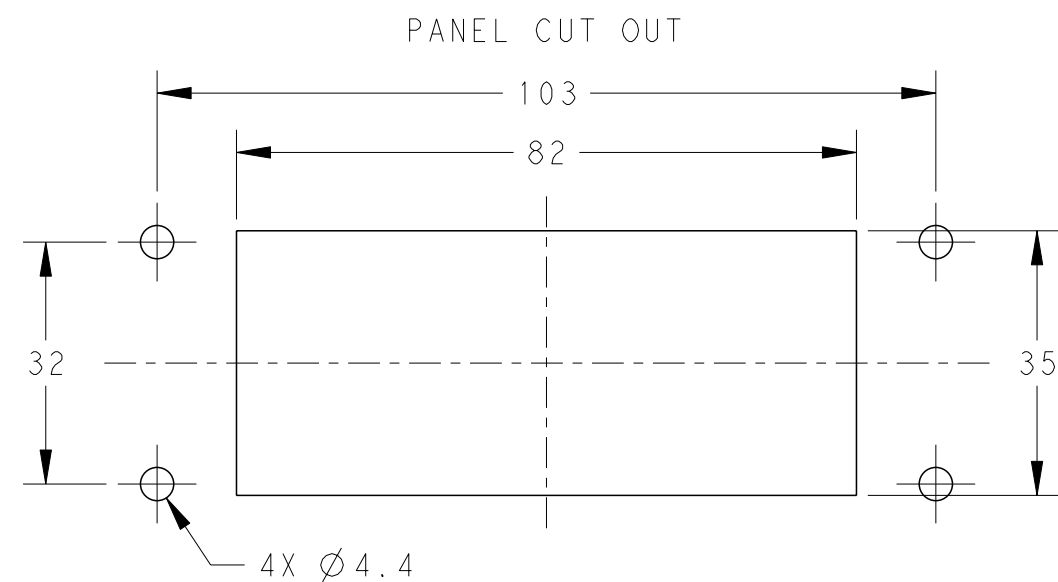


NOTES:  
 1. TECHNICAL CHARACTERISTICS:  
 HOUSING MATERIAL: DIE CAST ALUMINIUM ALLOY  
 SURFACE: POWDER COATED, COLOR SEE TABLE  
 DEGREE OF PROTECTION: IP65 (MATED)

注释:  
 1. 技术参数:  
 下壳材料: 铝合金  
 表面处理: 粉末涂层, 颜色见表格  
 防护等级: IP65(配合)



SCALE 1:2



T1410167000-000	H16B-AGS	RED, OUTSIDE
T1410165000-000	H16B-AGS	STOVING VARNISH, OUTSIDE
T1410164000-100	H16B-AGS	SILVER WHITE INSIDE AND OUTSIDE
T1410164000-000	H16B-AGS	SILVER WHITE, OUTSIDE
PART NUMBER	DESCRIPTION	HOUSING COLOR AND TYPE

THIS DRAWING IS A CONTROLLED DOCUMENT.		DWN 25JUN2015 David Wang				
DIMENSIONS: mm		CHK 25JUN2015 Chris Wang				
TOLERANCES UNLESS OTHERWISE SPECIFIED:		APVD 25JUN2015 Xiang Xu				
0 PLC ±- 1 PLC ±- 2 PLC ±- 3 PLC ±- 4 PLC ±- ANGLES ±-		NAME H16B-AGS				
MATERIAL	FINISH	PRODUCT SPEC 108-137013	SIZE	CAGE CODE	DRAWING NO	RESTRICTED TO
-	-	APPLICATION SPEC 114-137013	A3	00779	©-T141016X000X00	-
Customer Drawing			SCALE 1:1	SHEET 1 OF 1	REV B	

printed on 13 Apr 2021 09:35 (China Standard Time) from TE343646