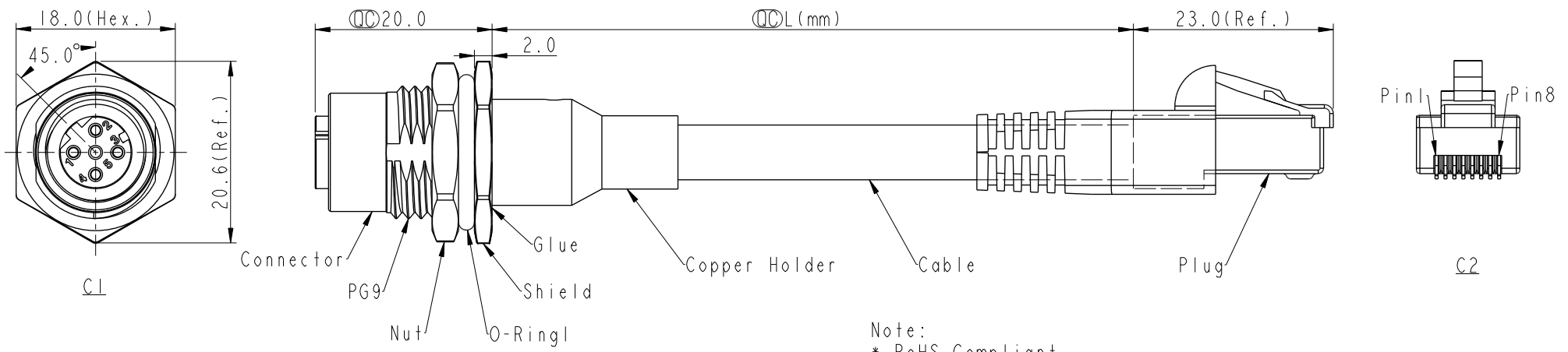


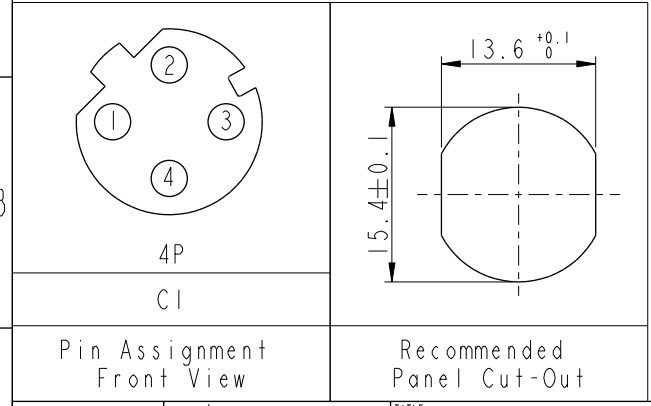
THIS DOCUMENT IS SUBJECT TO CHANGE WITHOUT NOTICE. IT IS CONFIDENTIAL AND A PROPERTY OF AMPHENOL LTW. DISCLOSURE TO THIRD PARTY HAS TO BE AUTHORIZED BY AMPHENOL LTW.

REV.	ECN NO.	DATE	SIGN	DESCRIPTION
A		2022-06-22	Jiahe Lin	Rev.01 To Rev.A
B	C221046	2022-07-10	Allen Pan	$\triangle B$ x1

MSDS-XXPFFJ-SF8AXX  
 XX: No. Of Pin  
 XX:L=0~5Meters  
 A5:L=0.5Meters  
 01:L=1Meters  
 02:L=2Meters  
 ...  
 05:L=5Meters



- Note:
- \* RoHS Compliant
  - \*  $\varnothing$  Important Dimension
  - \* C1  
 Waterproof Rate: IPX8, Unmated 1m/24h  
 Housing: Thermoplastic, Black  
 Pin: Copper Alloy, Gold plated  
 O-Ring1: Rubber, Black  
 O-Ring2: Rubber, Green  
 Shield: Metal  
 Nut: Metal
  - \* C2  
 Waterproof Rate: Non-Waterproof  
 Plug: RJ45, Shielded
  - \* For panel thickness max: 4.5mm
  - \* Nut is packed separately in pe bag
  - $\triangle B$  \* Cable: CAT-5E, 22#\*2P+AL/MY+D, OD=6.2mm, PU Jacket, Black
  - \* Cable length tolerance: 0.5M < L ≤ 1M: +60/-0 mm  
 1M < L ≤ 3M: +120/-0 mm  
 3M < L ≤ 5M: +160/-0 mm



UNIT:mm		TITLE N SEN, M12 D -SHLD, SCREW RECEPTACLE, F, F, RJ PLUG
TOLERANCE .X ±0.25 .XX ±0.1 .XXX ±0.05 ANGLES ±1°	SCALE 2:1	SIZE A4
	REV. B	SHEET 1 OF 2
	WC-REV.	$\varnothing$ : Inspection item

<b>Amphenol LTW</b> 安費諾亮泰企業股份有限公司		ITEM NO	DRAWN BY	DATE
		DWG NO MSDS-XXPFFJ-SF8AXX	Jiahe Lin	2022-06-22
		CUSTOMER ALTW	CHECKED BY Allen Pan	DATE 2022-06-22
			APPROVED BY Fred Lee	DATE 2022-06-22

THIS DOCUMENT IS SUBJECT TO CHANGE WITHOUT NOTICE. IT IS CONFIDENTIAL AND A PROPERTY OF Amphenol LTW. DISCLOSURE TO THIRD PARTY HAS TO BE AUTHORIZED BY Amphenol LTW.

	1	2	3	4	5	6	7	8																																																					
F																																																													
E																																																													
D																																																													
C																																																													
B	<table border="1" style="width: 100%; border-collapse: collapse;"> <tr> <td style="width: 10%;">Shield</td> <td style="width: 30%;">Drain</td> <td style="width: 10%;">地線</td> <td style="width: 10%;">Shield</td> <td style="width: 10%;"></td> <td style="width: 10%;"></td> <td style="width: 10%;"></td> <td style="width: 10%;"></td> <td style="width: 10%;"></td> </tr> <tr> <td>4</td> <td>Green</td> <td>綠</td> <td>6</td> <td rowspan="2" style="text-align: center;">Twist</td> <td></td> <td></td> <td></td> <td></td> </tr> <tr> <td>2</td> <td>White/Green</td> <td>白/綠</td> <td>3</td> </tr> <tr> <td>3</td> <td>Orange</td> <td>橘</td> <td>2</td> <td rowspan="2" style="text-align: center;">Twist</td> <td></td> <td></td> <td></td> <td></td> </tr> <tr> <td>1</td> <td>White/Orange</td> <td>白/橘</td> <td>1</td> </tr> <tr> <td>C1</td> <td colspan="2" style="text-align: center;">Wire Color</td> <td>C2</td> <td></td> <td></td> <td></td> <td></td> <td></td> </tr> <tr> <td colspan="9" style="text-align: center;">Pin Out</td> </tr> </table>								Shield	Drain	地線	Shield						4	Green	綠	6	Twist					2	White/Green	白/綠	3	3	Orange	橘	2	Twist					1	White/Orange	白/橘	1	C1	Wire Color		C2						Pin Out								
Shield	Drain	地線	Shield																																																										
4	Green	綠	6	Twist																																																									
2	White/Green	白/綠	3																																																										
3	Orange	橘	2	Twist																																																									
1	White/Orange	白/橘	1																																																										
C1	Wire Color		C2																																																										
Pin Out																																																													
A	<table border="1" style="width: 100%; border-collapse: collapse;"> <tr> <td style="width: 10%;">UNIT:mm</td> <td style="width: 10%; text-align: center;"></td> <td style="width: 10%; text-align: center;"></td> <td style="width: 20%;">TITLE N SEN, M12 D -SHLD, SCREW RECEPTACLE, F, F, RJ PLUG</td> <td colspan="2" style="text-align: center; vertical-align: middle;"><b>Amphenol LTW</b> 安費諾亮泰企業股份有限公司</td> <td style="width: 10%;">ITEM NO</td> <td style="width: 10%;">DRAWN BY Jiahe Lin</td> <td style="width: 10%;">DATE 2022-06-22</td> </tr> <tr> <td colspan="3">TOLERANCE .X ±0.25 .XX ±0.1 .XXX ±0.05 ANGLES ±1°</td> <td>SCALE 1:1</td> <td>SIZE A4</td> <td>SHEET 2 OF 2</td> <td>DWG NO MSDS-XXPFFJ-SF8AXX</td> <td>CHECKED BY Allen Pan</td> <td>DATE 2022-06-22</td> </tr> <tr> <td colspan="3"></td> <td>REV. B</td> <td>WC-REV.</td> <td>: Inspection item</td> <td>CUSTOMER ALTW</td> <td>APPROVED BY Fred Lee</td> <td>DATE 2022-06-22</td> </tr> </table>								UNIT:mm			TITLE N SEN, M12 D -SHLD, SCREW RECEPTACLE, F, F, RJ PLUG	<b>Amphenol LTW</b> 安費諾亮泰企業股份有限公司		ITEM NO	DRAWN BY Jiahe Lin	DATE 2022-06-22	TOLERANCE .X ±0.25 .XX ±0.1 .XXX ±0.05 ANGLES ±1°			SCALE 1:1	SIZE A4	SHEET 2 OF 2	DWG NO MSDS-XXPFFJ-SF8AXX	CHECKED BY Allen Pan	DATE 2022-06-22				REV. B	WC-REV.	: Inspection item	CUSTOMER ALTW	APPROVED BY Fred Lee	DATE 2022-06-22																										
UNIT:mm			TITLE N SEN, M12 D -SHLD, SCREW RECEPTACLE, F, F, RJ PLUG	<b>Amphenol LTW</b> 安費諾亮泰企業股份有限公司		ITEM NO	DRAWN BY Jiahe Lin	DATE 2022-06-22																																																					
TOLERANCE .X ±0.25 .XX ±0.1 .XXX ±0.05 ANGLES ±1°			SCALE 1:1	SIZE A4	SHEET 2 OF 2	DWG NO MSDS-XXPFFJ-SF8AXX	CHECKED BY Allen Pan	DATE 2022-06-22																																																					
			REV. B	WC-REV.	: Inspection item	CUSTOMER ALTW	APPROVED BY Fred Lee	DATE 2022-06-22																																																					
	2	3	4	5	6	7	8	WI0814-03-001A2																																																					