

**M8-Round-Plug Connector, Single-Ended Cordsets**  
RSMV 3 | RSMV 4 | RSMWV 3 | RSMWV 4

RSMV | RSMWV

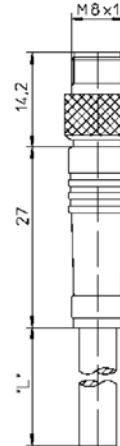


**3- and 4-Poles**

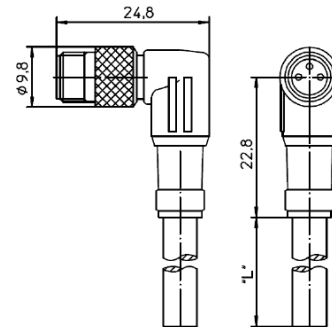
Actuator/sensor cordset, single-ended, M8, 3- and 4-poles male straight connector with self-locking threaded joint and molded cable.

Actuator/sensor cordset, single-ended, M8, 3- and 4-poles male 90° connector with self-locking threaded joint and molded cable.

**RSMV**



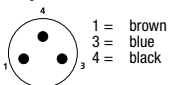
**RSMWV**



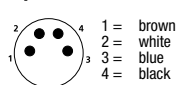
**Pin Assignments**

**M8**

**3 poles**



**4 poles**



# Be Certain with Belden

**Cordsets  
Single-Ended**



## M8-Round-Plug Connector, Single-Ended Cordsets

RSMV 3 | RSMV 4 | RSMWV 3 | RSMWV 4

### Technical Data

#### Environmental

Degree of protection IP 67, IP68 (NEMA 6P)  
Operating temperature range -30 to +80C

#### Mechanical

Housing / Molded body TPU grey transparent  
Insert (contact bearer) PA/TPU, orange  
Contact Copper Alloy  
Coupling screw Nickel Plated Brass  
O-ring n/a

#### Electrical data

Rated voltage 63V (IEC) / 30V (UL)  
Rated current\* 4 A

### Cable Specifications

Cable No.	Outer Jacket	Conductor Size	Jacket Color	OD
294	PVC	22 AWG stranded	black	5.00 mm nominal
295	PVC	22 AWG stranded	black	5.20 mm nominal

Cordsets  
Single-Ended

Part Number		Pins	Outer Jacket	Standard Cable Lengths	Characteristics
<b>Male Straight</b>	<b>Male 90°</b>				
RSMV 3-294/...M	RSMWV 3-294/...M	3	PVC	2M / 5M / 10M	
RSMV 4-295/...M	RSMWV 4-295/...M	4	PVC	2M / 5M / 10M	

# Mouser Electronics

Authorized Distributor

Click to View Pricing, Inventory, Delivery & Lifecycle Information:

## Lumberg Automation:

[RSMV 3-294/10 M](#) [RSMV 3-294/2 M](#) [RSMV 3-294/5 M](#) [RSMV 3-294/1 M](#) [RSMV 4-295/5 M](#) [RSMV 4-295/2 M](#)