



KISSLING | KISSLING Series 35

TE Internal #: K1143304

400 A Battery Disconnect Switch, 32 VDC, 1 Pole, M10, 0 Auxillary Positions, Long Flange, Pointer Key, Not Removable, Red Handle, KISSLING Series 35

[View on TE.com >](#)

Switches > Battery Disconnect Switches > Battery Disconnect, 400A, 1 Pole



- Operating Voltage: **32 VDC**
- Switch Main Contact Current Rating: **400 A**
- Number of Poles: **1**
- Termination Thread Size: **M10**
- Number of Auxiliary Contacts: **0**

[All Battery Disconnect, 400A, 1 Pole \(22\)](#)

Features

Product Type Features

Sealed Device	Yes
---------------	-----

Configuration Features

Number of Poles	1
Number of Auxiliary Contacts	0
Switch Keying Option	Not Removable

Electrical Characteristics

Operating Voltage	32 VDC
Switch Main Contact Current Rating	400 A

Body Features

Operating Handle Color	Red
------------------------	-----

Mechanical Attachment

Termination Thread Size	M10
Switch Mounting Option	Long Flange
Operating Handle Type	Pointer Key

Dimensions

--	--



Centerline Between Flange Screw Holes	100 mm[3.937 in]
Screw Hole Diameter	6.5 mm[.256 in]

Usage Conditions

Operating Temperature Range	-40 – 85 °C[-40 – 185 °F]
-----------------------------	---------------------------

Product Compliance

[For compliance documentation, visit the product page on TE.com>](#)

EU RoHS Directive 2011/65/EU	Compliant with Exemptions
EU ELV Directive 2000/53/EC	Compliant with Exemptions
China RoHS 2 Directive MIIT Order No 32, 2016	Restricted Materials Above Threshold
EU REACH Regulation (EC) No. 1907/2006	Current ECHA Candidate List: JUNE 2024 (241) Candidate List Declared Against: JAN 2021 (211) SVHC > Threshold: Pb (2% in Component part) Article Safe Usage Statements: Do not eat, drink or smoke when using this product. Wash thoroughly after handling. Recycle if possible and dispose of the article by following all applicable governmental regulations relevant to your geographic location.
Halogen Content	Not Yet Reviewed for halogen content
Solder Process Capability	Not reviewed for solder process capability

Product Compliance Disclaimer

This information is provided based on reasonable inquiry of our suppliers and represents our current actual knowledge based on the information they provided. This information is subject to change. The part numbers that TE has identified as EU RoHS compliant have a maximum concentration of 0.1% by weight in homogenous materials for lead, hexavalent chromium, mercury, PBB, PBDE, DBP, BBP, DEHP, DIBP, and 0.01% for cadmium, or qualify for an exemption to these limits as defined in the Annexes of Directive 2011/65/EU (RoHS2). Finished electrical and electronic equipment products will be CE marked as required by Directive 2011/65/EU. Components may not be CE marked. Additionally, the part numbers that TE has identified as EU ELV compliant have a maximum concentration of 0.1% by weight in homogenous materials for lead, hexavalent chromium, and mercury, and 0.01% for cadmium, or qualify for an exemption to these limits as defined in the Annexes of Directive 2000/53/EC (ELV). Regarding the REACH Regulation, the information TE provides on SVHC in articles for this part number is based on the latest European Chemicals Agency (ECHA) 'Guidance on requirements for substances in articles' posted at this URL: <https://echa.europa.eu/guidance-documents/guidance-on-reach>

Compatible Parts



TE Part # CAT-AL4-SBD354001
Battery Disconnect, 400A, 1 Pole

Also in the Series | KISSLING Series 35



Battery Disconnect Switches(164)



Rotary Switches(6)

Customers Also Bought



TE Part #WHDS-18-2
STRAIN RELIEF, HD30, 18SZ, RA



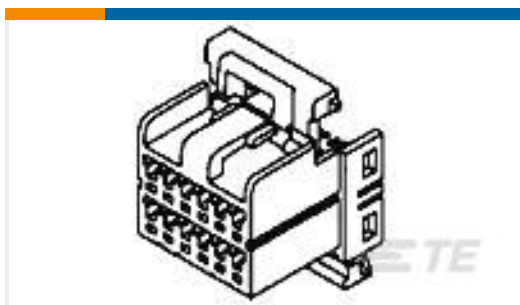
TE Part #K1008006
Relay 26-71-01



TE Part #4-1617791-5
FCA-125-3604L=M83536/36-004L



TE Part #DT04-12PA
REC, 12P, GRY, N, A



TE Part #174045-2
040 MULTILOCK PLUG 12P



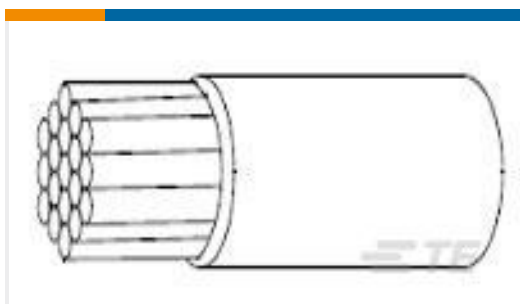
TE Part #1-968855-2
AMP MCP 2.8, CONTACT SWS



TE Part #2423915-1
Conn G SNG 38999 S1,2,4 Shell 15 & 16



TE Part #625159-000
D-110-35



TE Part #216115-001
22759/32-16-9



Documents

Product Drawings

[Battery Disconnect 35-411-151-R](#)

English

CAD Files

3D PDF

3D

Customer View Model

[ENG_CVM_CVM_35-411-151-R_A.2d_dxf.zip](#)

English

Customer View Model

[ENG_CVM_CVM_35-411-151-R_A.3d_igs.zip](#)

English

Customer View Model

[ENG_CVM_CVM_35-411-151-R_A.3d_stp.zip](#)

English

By downloading the CAD file I accept and agree to the [Terms and Conditions](#) of use.

Datasheets & Catalog Pages

[KISSLING BATTERY DISCONNECTOR Series 35 / 400A](#)

English