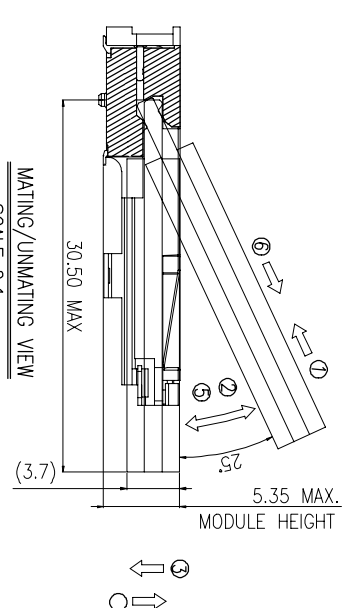


- NOTES:
- MATERIAL:
 - HOUSING: HIGH TEMPERATURE THERMO PLASTIC, UL94V-0, COLOR: BLACK.
 - CONTACT: COPPER ALLOY.
 - SOLDER PEG AND LATCH: STAINLESS STEEL.
 - FINISH:
 - SOLDER PEG: GOLD FLASH ON 50u" MIN NICKEL UNDERPLATED ALL OVER.
 - CONTACT SOLDER AREA: GOLD FLASH ON 50u" MIN NICKEL UNDERPLATED ALL OVER.
 - CONTACT AREA: GOLD FLASH ON 50u" MIN NICKEL UNDERPLATED ALL OVER.
 - CONTACT AREA: 5u" ON 50u" MIN NICKEL UNDERPLATED ALL OVER.
 - CONTACT AREA: 10u" ON 50u" MIN NICKEL UNDERPLATED ALL OVER.
 - CONTACT AREA: 15u" ON 50u" MIN NICKEL UNDERPLATED ALL OVER.
 - CONTACT AREA: 30u" ON 50u" MIN NICKEL UNDERPLATED ALL OVER.
 - COPLANARITY: 0.10 MAX. (BEFORE SOLDERING)

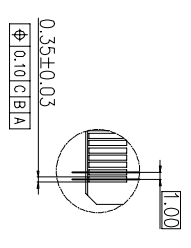
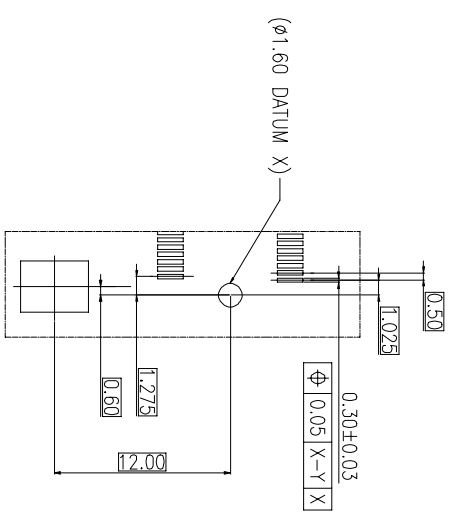
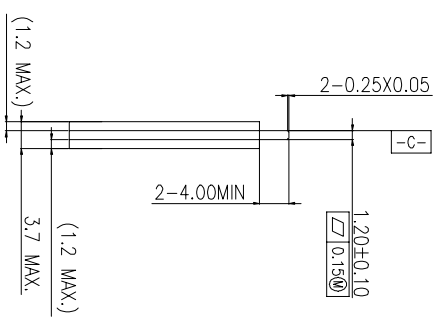
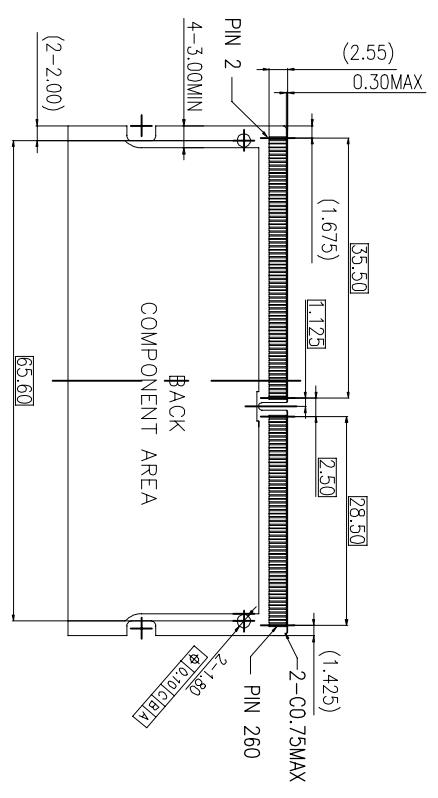
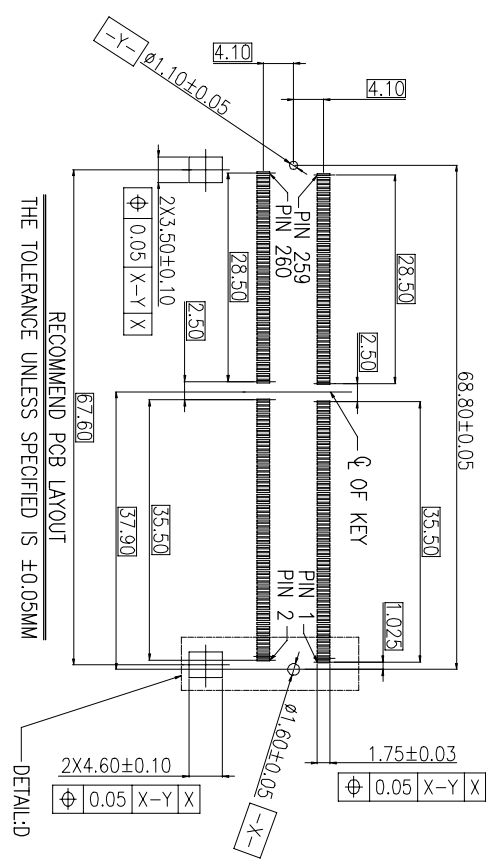
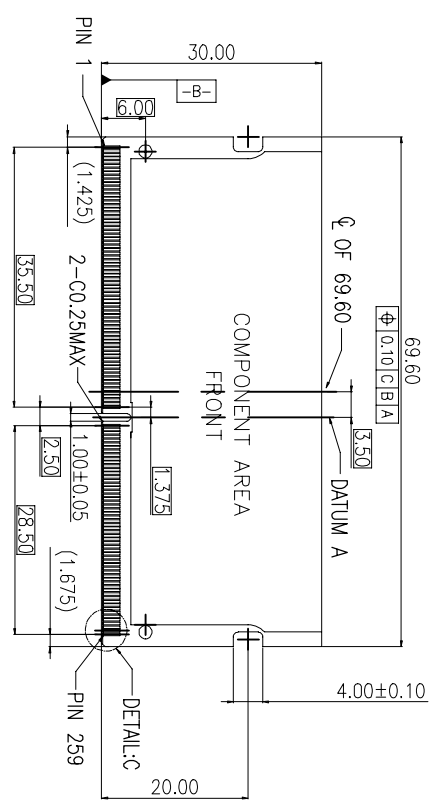


- MATING: ① INSERTING (25) — ② ROTATING — ③ FIXED
 UNMATING: ④ UNFIXED — ⑤ ROTATING — ⑥ WITHDRAWING

TAPE&REEL	BLACK	1.2V	260	2309409-5
TAPE&REEL	BLACK	1.2V	260	2309409-4
TAPE&REEL	BLACK	1.2V	260	2309409-3
TAPE&REEL	BLACK	1.2V	260	2309409-2
TAPE&REEL	BLACK	1.2V	260	2309409-1
PAKING TYPE	HOUSING COLOR	POWER SUPPLY FINISH	POS	PART NO.

THIS DRAWING IS A CONTROLLED DOCUMENT.

DESIGNER: JAMES O'NEW	DATE: 11MAR2021	NAME: RICHARD MA	TE Connectivity
CHECKED: RICHARD MA	DATE: 11MAR2021	PRODUCT: DDR4 SODIMM SOCKET	
DRAWN: RICHARD MA	DATE: 11MAR2021	APPLICATION SPEC: 108-115122	
APPROVED: RICHARD MA	DATE: 11MAR2021	APPLICATION SPEC: 108-115122	
MATERIAL: 0 R.C. ± 0.29	1 R.C. ± 0.18	2 R.C. ± 0.10	4 R.C. ± 0.10
DIMENSIONS: mm			
TOLERANCES UNLESS OTHERWISE SPECIFIED:			
APPROVAL: RICHARD MA			
PRODUCT SPEC: 108-115122			
APPLICATION SPEC: 108-115122			
WEIGHT: A2 00779			
CUSTOMER DRAWING: 2309409			
SCALE: 2:1			
SHEET: 1 of 3			
REV: 6			

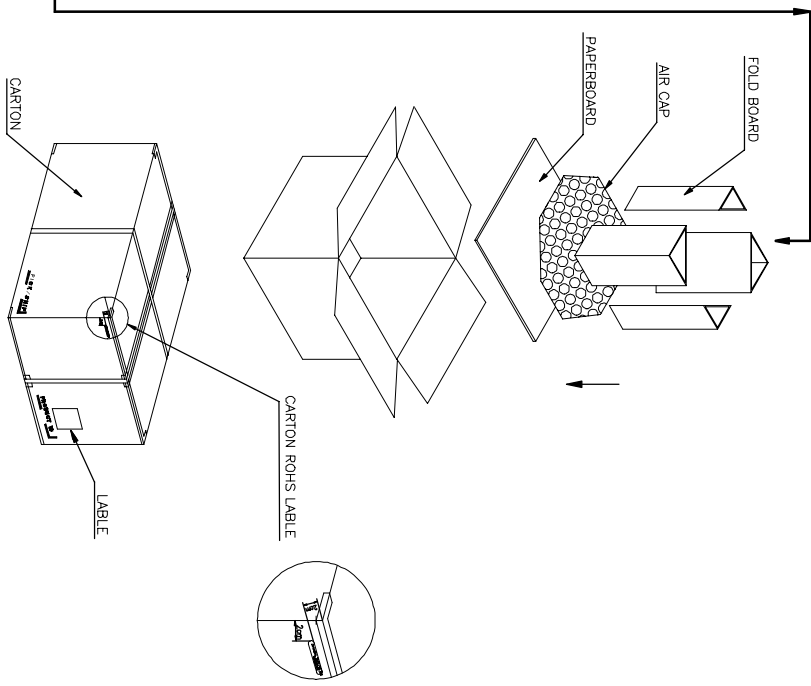
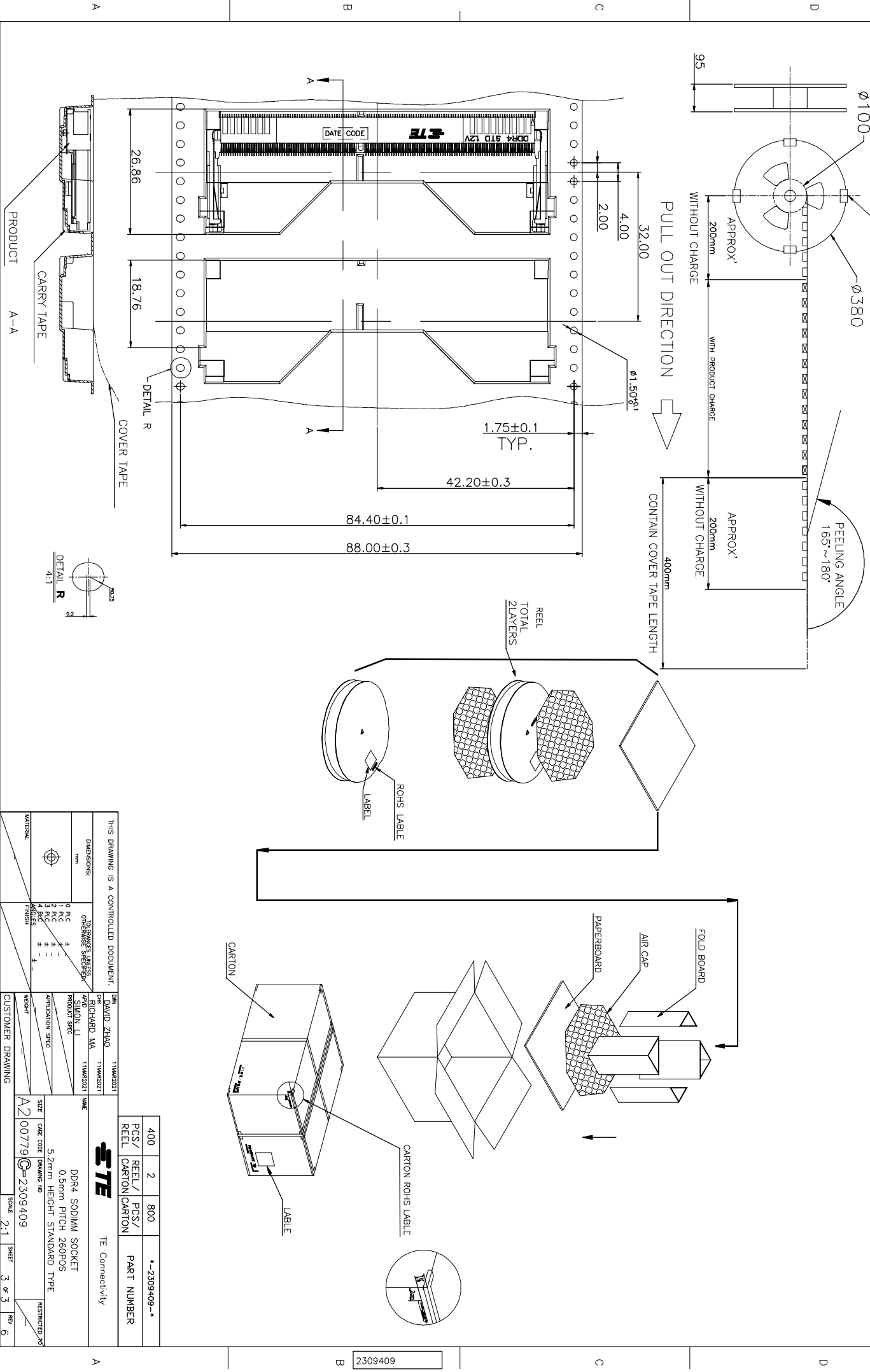


DETAIL: C
SCALE 2:1

DETAIL: D
SCALE 2:1

THIS DRAWING IS A CONTROLLED DOCUMENT.		ENR DAVID ZHAO	11MAR2021	NAME	TE Connectivity
DIMENSIONS: mm		CHK RICHARD MA	11MAR2021	PRODUCT SPEC	DRR4 SODIMM SOCKET
TOLERANCES UNLESS OTHERWISE SPECIFIED		PROJ M010N.11	11MAR2021	APPLICATION SPEC	0.5mm PITCH 260POS
0 R.C.	+	PRODUCT SPEC		REGULATION TYPE	5.2mm HEIGHT STANDARD
1 R.C.	+				
2 R.C.	+				
4 R.C.	+				
ANGLES	±				
FRACTIONS	±				
MATERIAL		CUSTOMER DRAWING		SIZE	A2
				QTY	00779
				REV	2309409
				SCALE	2:1
				SHEET	2 of 3
				REV	6

REVISIONS		DATE	OWN	APP'D
P	LINE	DESCRIPTION		
-	-	-	-	-



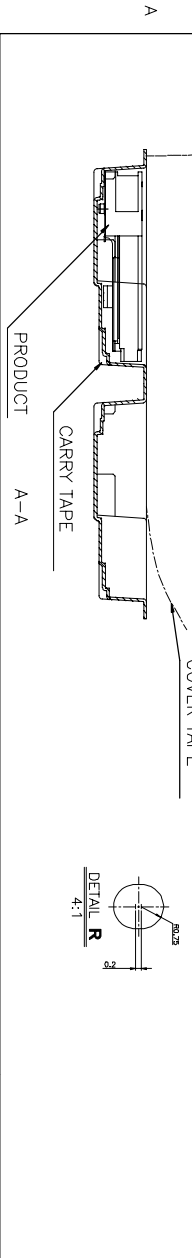
THIS DRAWING IS A CONTROLLED DOCUMENT.

ENGR: DAVID ZHAO	11MAR2021	NAME	DRR4 SODIUM SOCKET
CHK: RICHARD MA	11MAR2021	PRODUCT SPEC	0.5mm PITCH 260POS
		APPLICATION SPEC	5.2mm HEIGHT STANDARD TYPE
		WEIGHT	RESTRICTED
		CUSTOMER DRAWING	

TE Connectivity

400	2	800	*-2309409--*
PCS/ REEL	REEL/ CARTON	PCS/ CARTON	PART NUMBER

SIZE: A2 00779 © 2309409 SCALE: 2:1 SHEET: 3 of 3 REV: 6



2309409