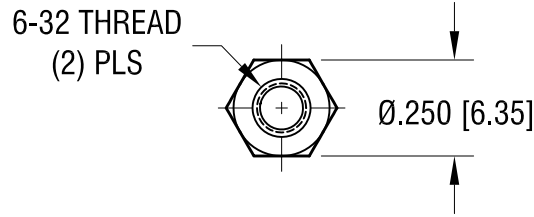
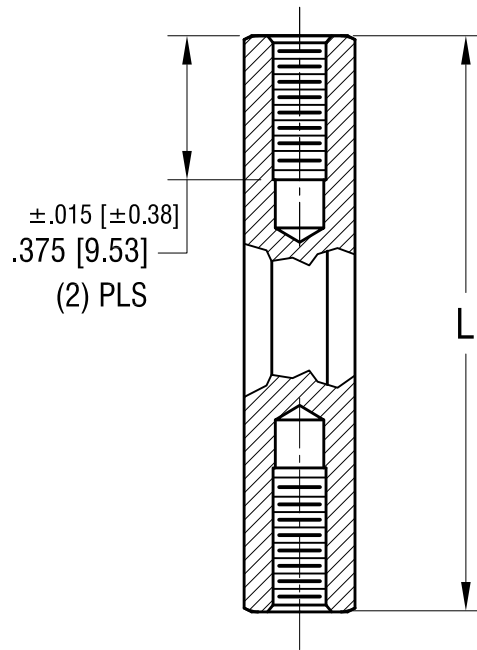


THIS DOCUMENT IS THE PROPERTY OF
KEYSTONE ELECTRONICS CORP. AND
SHALL NOT BE REPRODUCED, DISTRIBUTED
OR USED AS A BASIS FOR MANUFACTURE
WITHOUT PRIOR WRITTEN PERMISSION
FROM KEYSTONE ELECTRONICS CORP.

ACTUAL SIZE



P/N 2213



PART NO.	'L' DIM.
2213	1.500 [38.10]
2214	2.000 [50.80]

KEYSTONE ELECTRONICS CORP.

www.keyelco.com • NEW HYDE PARK NY 11040 • Tel (516)328-7500

PART NAME				THREADED HEX STANDOFF			
MATERIAL				LEAD FREE ALUMINUM			
FINISH		CLEAR IRIDITE		DRN BY	BOONE	DATE	2.12.98
				APP'D	RH	SCALE	2X
TOLERANCES	INCH	[MM]	CODE	DWG NO.			
DECIMAL	± .005	[± 0.13]	C	2213-2214			
ANGULAR	± 1°						
UNLESS OTHERWISE SPECIFIED							

DATE	DESCRIPTION	REV.
1.03.24	CHANGE AS PER ECN 24-003	B
7.7.22	CHANGE AS PER ECN 22-114	A