

# ProtoBox-1553DBAT Kit (PCB+Box)

*A Hammond 1553DBAT soft-side plastic enclosure with battery compartment, packaged with a matching ProtoBoard 2-hole per strip PCB.*



**BusBoard Prototype Systems** - Built for designers

[www.BusBoard.com](http://www.BusBoard.com) [sales@busboard.com](mailto:sales@busboard.com)

BPS-MAR-(KIT-1553DBAT)-001 Rev 4.00



*A prototyping board designed for the Hammond 1553DxBAT soft-sided handheld case with battery compartment.*

## Features

*ProtoBoard* saves time! The PCB is designed specifically for the Hammond 1553DxBAT box. No cutting is required. The mounting holes are present in the right spots.

The convenient 2-hole ProtoBoard pattern provides an easy way to connect parts while maximizing usable board area.

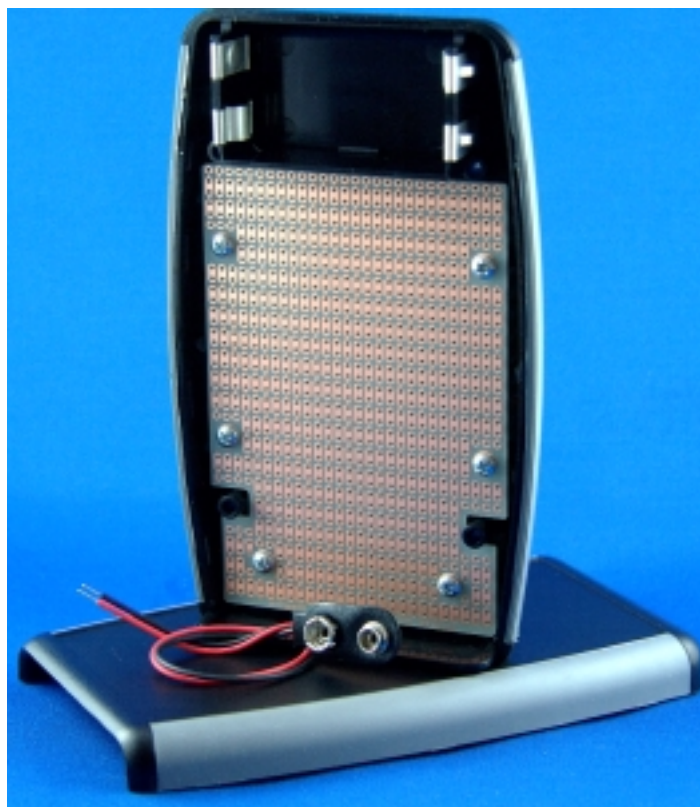
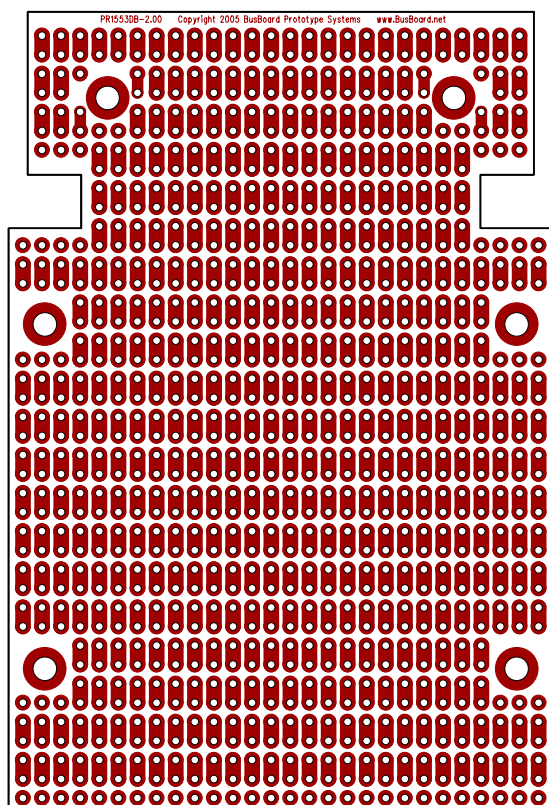
**Lead free** etched copper PCB with an anti-tarnish coating for easy soldering.

## PCB Specifications

- High-quality FR4 glass epoxy board.
- Six 4-40 PCB mounting screws provided.
- Single sided, 1oz/ft<sup>2</sup> copper PCB
- 0.042" holes drilled on 0.1" centers
- PCB Size 2.850 x 4.175 in. (72 x 106mm)

**Order Part# PR1553DBAT (for PCB only)**

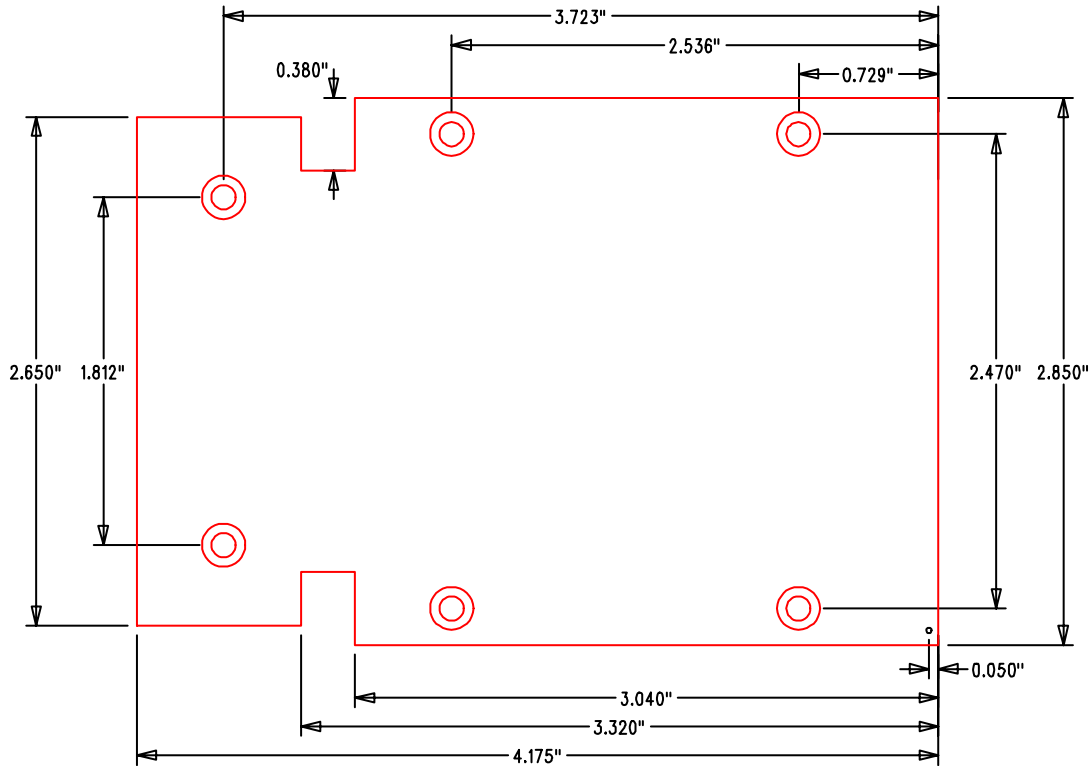
## Board Layout (actual size)



**PR1553DBAT Prototyping Board shown with the Hammond 1553DBKBAT box (box not included).**

**To purchase the PCB + Box together, order BPS part# KIT-1553DBAT-BK**

## PCB Mechanical Dimensions



1. PCB is symmetrical along the centerline.
  2. All solder pads are located on a 0.100" grid.
  3. The mounting holes are NOT located on the 0.100" grid.
- PCB Design Copyright 2005 BusBoard Prototype Systems Ltd.

## Hammond 1553DxBAT Hand Held Case Features

Note: The box is **NOT** included with BPS part# PR1553DBAT.

The box is included with part# KIT-1553DBAT-BK.

Soft-sided ergonomic hand held electronic case.

Box Size 5.8 x 3.5 x 1.0 inches (147 x 89 x 26 mm)

Battery compartment for 2xAA or 9V batteries (battery clips included). Long life "three snap" battery door.

1 removable end panel (included).

Built-in PCB standoffs.

Box closed with self tapping screws (included).

Recessed top for membrane display or keypad.  
Lap joint construction provides protection against dust accumulation and splashing water.

Black/Gray, Black/Black, Gray/Gray, Yellow, Red, and Translucent Blue colors available.



To order the box by itself, use Hammond part #'s 1553DBKBAT, 1553DGYBAT, 1553DBKKBKAT, 1553DTBUBKAT, 1553DRDBKAT, 1553DYLBKAT

See <http://www.hammondmfg.com/1553.htm>  
<http://www.hammondmfg.com/1553colors.htm>

**Includes 4 clips for two AA batteries.**

**Includes wired clip for 9V battery.**







© 2013 BusBoard Prototype Systems Ltd.

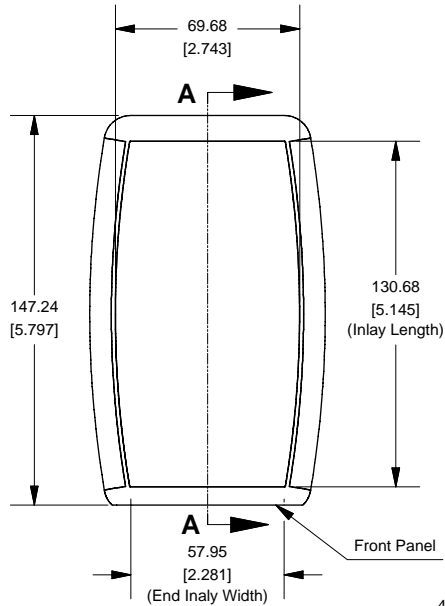
---

**BusBoard Prototype Systems - Built for designers**

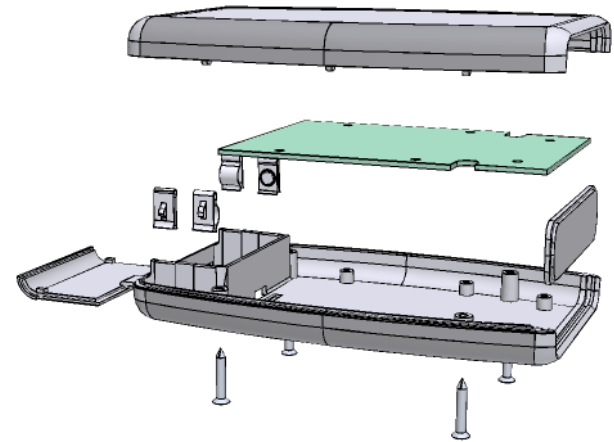
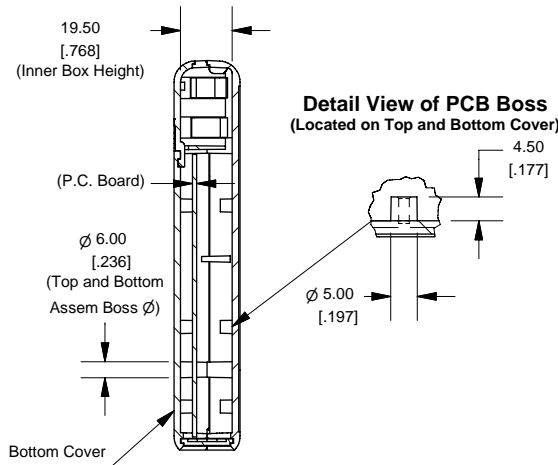
[www.BusBoard.com](http://www.BusBoard.com) [sales@busboard.com](mailto:sales@busboard.com)

BPS-MAR-PR1553DBAT-001 Rev 4.00

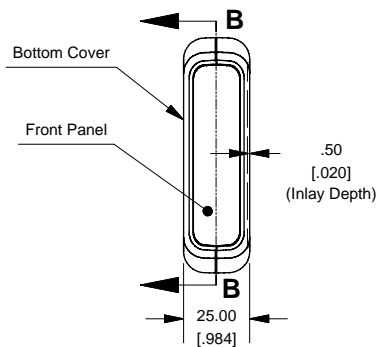
### Top View of Assembly



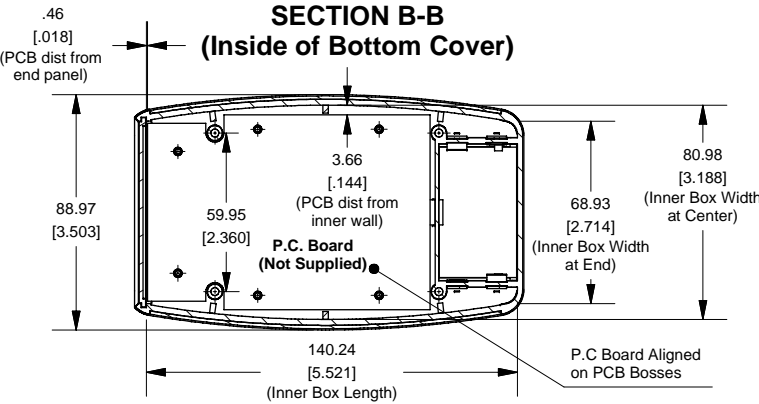
### SECTION A-A (Side View Inside Assembly)



### End View of Assembly



### SECTION B-B (Inside of Bottom Cover)

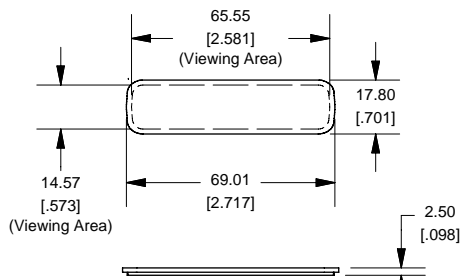


Enclosures can be Factory Modified ( Milling, Drilling, Printing etc. )  
Solid models of this enclosure available in STEP or IGES.  
Contact Factory [mjm@hammondmfg.com](mailto:mjm@hammondmfg.com)

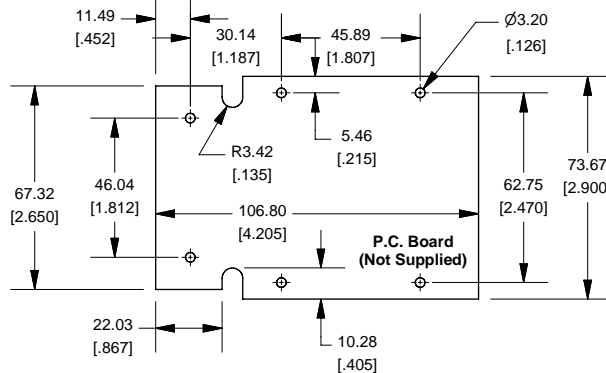
NOTE	
Enclosure molded from GP ABS (UL94-HB) plastic.	
Purchased assembly includes top and bottom cover, front plastic panel, battery door, battery spring clips, 9V adapter and 4 cover screws.	

PART NUMBERS	
1553D Enclosure	
Black Enclosure/Grey Over-mold	1553DBKBAT
Grey Enclosure/Grey Over-mold	1553DGYBAT
ACCESSORIES	
Cover Screws (Pkg 100) [#4 x 5/8" self-tapping oval head (15.9mm)]	1593MS100 (Silver) 1593MS100BK (Black)
P.C. Board Screws [#4 x 1/4" self-tapping (6.4mm)]	1593ATS50 (Pkg 50) 1593ATS100 (Pkg 100)
Belt or Pocket Clip	1599CLIP (Black) 1599CLIPGY (Grey)

### Front/Rear Panel (Dashed Line Indicates Viewing Area)



### Maximum P.C. Board Size



**HAMMOND MANUFACTURING™**  
**1553D-BAT**  
[www.hammondmfg.com](http://www.hammondmfg.com)