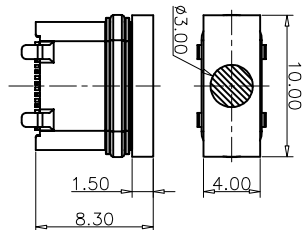
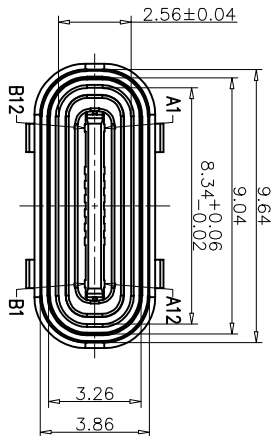


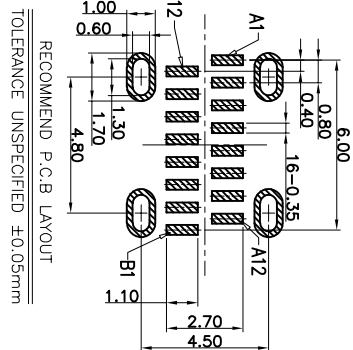


CUSTOMER

REV.	ECN NO.	DESCRIPTION	DATE	DESIGN



装前塞示意图



RECOMMEND P.C.B LAYOUT  
TOLERANCE UNSPECIFIED ±0.05mm

NOTES:

SPECIFICATION:

- CURRENT RATING: 3.0 A
- VOLTAGE RATING: 3.0 V
- VBUS & GND PINS AND OTHER PINS: 40mΩ/PIN MAX
- INSULATION RESISTANCE: 100MΩ MIN
- DIELECTRIC WITHSTAND VOLTAGE: AC 100V FOR 1MINUTE
- INSERTION FORCE: 0.5~2.0kgf
- UNMATING FORCE: 0.8~2.0kgf
- DURABILITY: 10000 CYCLES
- OPERATING TEMPERATURE: -35°C~+85°C
- THE PEAK TEMPERATURE ON THE BOARD SHALL BE MAINTAINED FOR 10 SECONDS AT 210-230°C
- WATERPROOF: IP-X7.

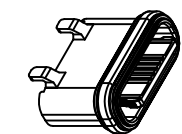
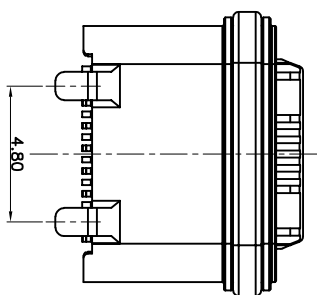
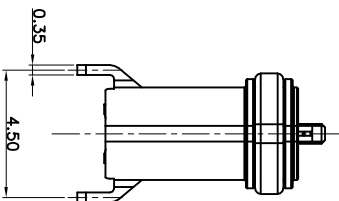
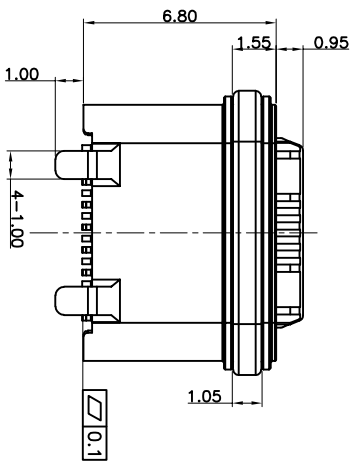
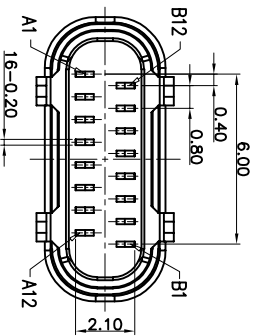


TABLE:

NO	PART	Q'TY	Material
1	SHELL	1	ZINC ALLOC,Ni30u"Min PLATED
2	CONTACT	16	C7025,TIN80u"/Au3u"/Ni30u"PLATED
3	MID PLATE	1	SUS301,NO PLATING
4	HOUSING	1	LCP(E130J) UL94 V-0 BLACK
5	WATERPROOF RING	1	SILICONE(SI/60-65A) UL94 V-0 BLACK

USB TYPE C PIN ASSIGNMENTS

PIN NUMBER	SIGNAL NAME	PIN NUMBER	SIGNAL NAME
A1	GND	B12	GND
A4	VBUS	B9	VBUS
A5	CC1	B8	SB12
A6	DP1	B7	DN2
A7	DM1	B6	DP2
A8	SN1	B5	CC2
A9	VBUS	B4	VBUS
A12	GND	B1	GND



TOLERANCE		NAME (INTENDED USE)	
X.X ±0.30	X.X' ±10'	CUSTOMER DRAWING	
XX ±0.20	X.X' ± 8'	PART NO. F23-0107C161F468-01	
.XXX ±0.10	.XX' ± 5'	DESIGN: ZXHM	
UNITS	mm	CHED:	
MATERILA	---	APPD:	
FINISH	---	DRAWG NO. F23-21CF1B0612-1TF-01	
		SCALE SHEET REV. 1/1 1/2 A	

**FIVOU** 广东富盈兴业精密科技实业有限公司  
Guangdong Fivou Precision Electronic Technology Co., Ltd.

TITLE: TYPE C 16P防水母座立脚6.8H