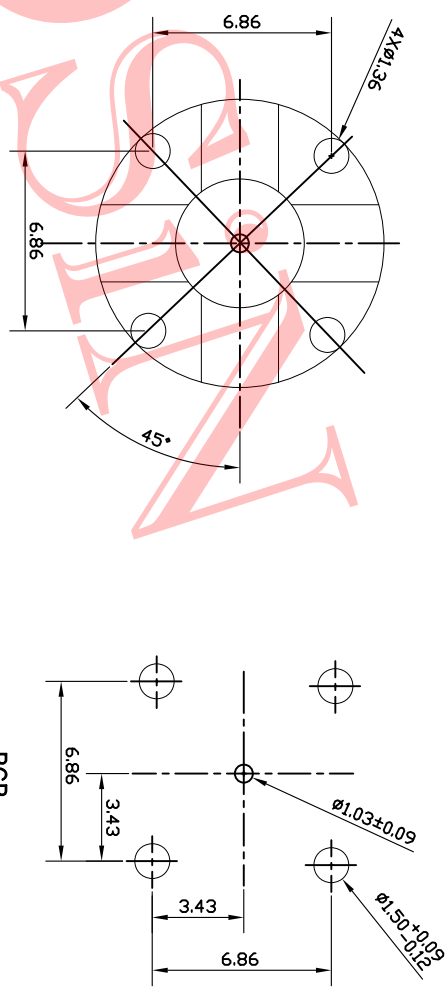
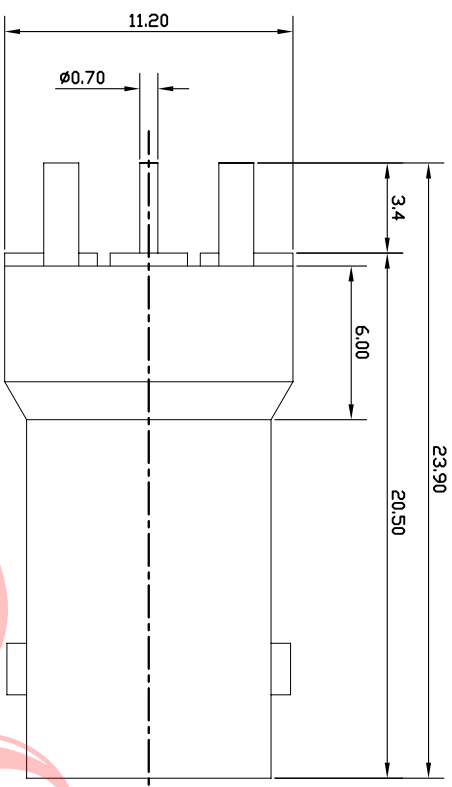




Product NO.		DOSIN-801-0057		
REV	DESCRIPTION	DMN	DATE	APPROVEN
A	First Issue	JIM	2012/11/02	John kine



### Specifications

Impedance: 75 Ohms  
 Frequency Range: DC~3G  
 VSWR: 1.3MAX  
 Working Voltage: 500V rms @ sea level  
 Insulation Resistance: 5000 Ohms min  
 Temperature Range: -55°C T0 +155°C  
 Relative Temperature: ≤95% (40°C ±2°C)  
 Drawings products are in line with ROHS standards

#### NOTE:

DRAWN	Zelin Zhang	2012/11/10	Tolerance	0-6 ±0.15 6-30 ±0.20 30-120 ±0.5 Angular ±2°
CHECKED			View	
APPROVALS			UNIT	MM
DATE	19/04/2012		SCALE	1:1

Name: BNC CONNECTOR DNN  
 Size: A  
 Date: 2012/11/02  
 Product NO: DOSIN-801-0057  
 CAD FILE: D:/company drawings/BD

Dosin Industrial(H.K)Co.Ltd  
 东莞市德索五金电子有限公司  
 Dosin Hardware Electronics Co.,Ltd  
 E-mail: dosin2005@163.com  
 dosin2005@dosing-china.com  
 Web: http://www.dosing.com  
 TEL: (0086)769-81153906  
 FAX: (0086)769-81875836

C	INSULATOR	POM	NONE	1
B	CONTACT PLATING	BRASS	GOLD	1
A	BODY	ZINC	NICKEL	1
NO	DESCRIPTION	MATERIAL	FINISHED	QTY
A				