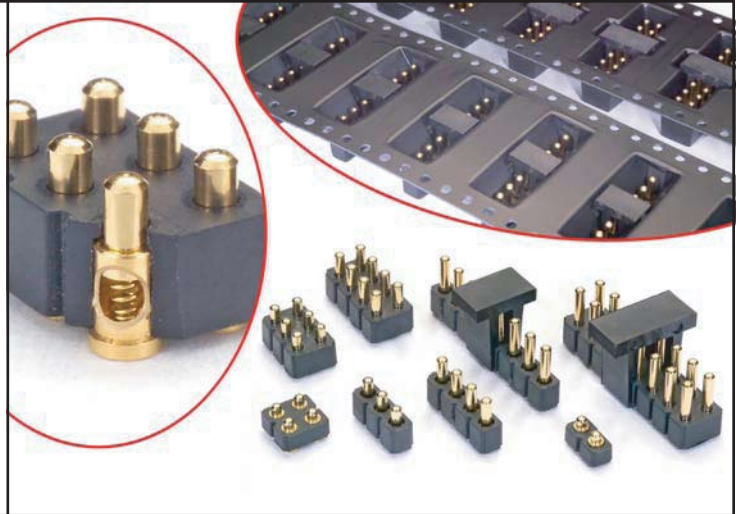
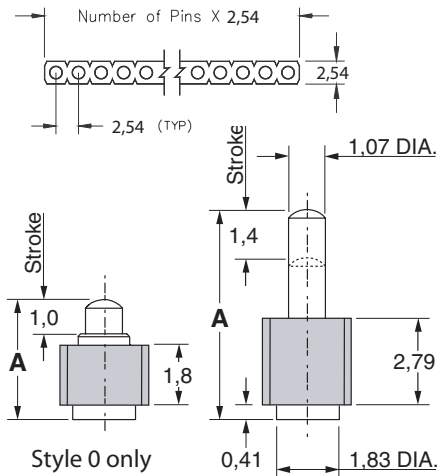


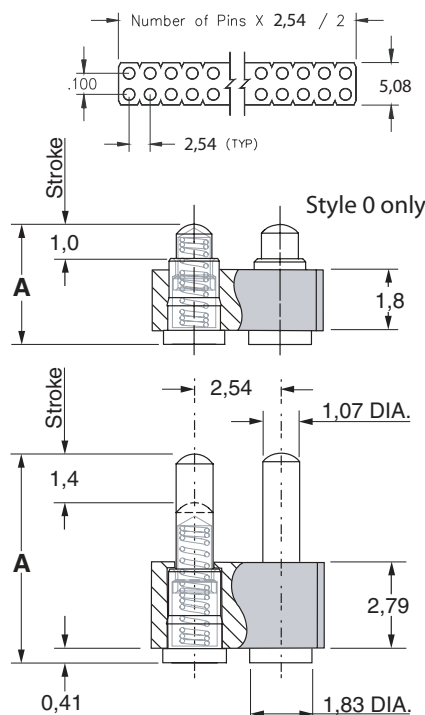
- Modular contacts for use on 2,54 grid, available in five heights from 3,48 to 5,99, supplied in single and double row contact strips.
- Precision machined piston / base and gold plated components assure a 1,000,000 min. cycle life.
- Pistons have a long stroke relative to the low profile of the assembly.
- Low resistance, high current contacts are rated at 2 amps continuous, 3 amps peak.
- High temperature thermoplastic insulators are suitable for surface mount processes.
- Both 811 & 813 series, contact styles 1 thru 4, are available on 32mm wide carrier tape for pick and place assembly per EIA-481. See page 119 for strip lengths available and ordering information.



SINGLE ROW Series 811



DOUBLE ROW Series 813



Ordering Information

Single Row Series 811

811-22-0XX-30-00X-101

Specify # of contacts

Specify contact style 0-4

01-64

Double Row Series 813

813-22-0XX-30-00X-101

Specify # of contacts

Specify contact style 0-4

04-72

CONTACT STYLE	INITIAL HEIGHT A
0	3,48
1	4,5
2	5,0
3	5,51
4	5,99

Technical Specifications

Materials:

Contact piston & Base: Machined copper alloy plated 0,51µm gold over 2,54µm nickel
 Spring: Beryllium copper plated 0,25µm gold
 Insulator: High temp. thermoplastic rated UL94 V-0

Mechanical:

Spring force @ initial height (A): 25 grams
 Spring force @ mid stroke (B/2): 60 grams
 Spring force @ full stroke (B): 95 grams
 Durability: 1,000,000 cycles min.

Electrical:

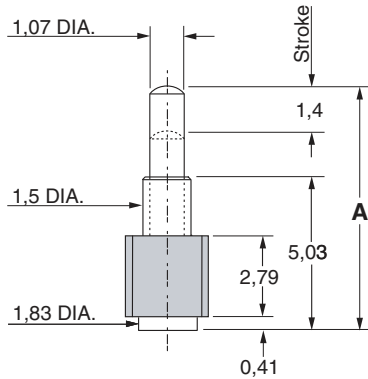
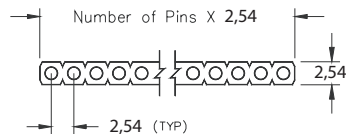
Voltage rating: 100Vrms/150Vdc
 Current rating: 2A (continous), 3A (peak) per contact
 Contact resistance: 20mΩ max.
 Insulation resistance: 10,000MΩ min.
 Dielectric strength: 700Vrms min.
 Capacitance: 1pF max.



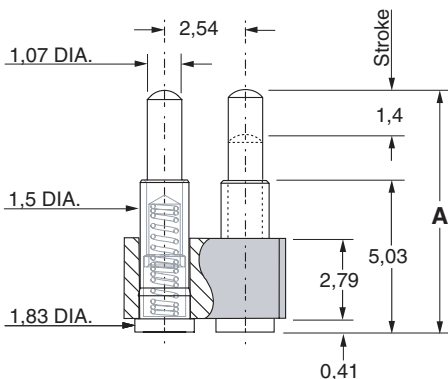
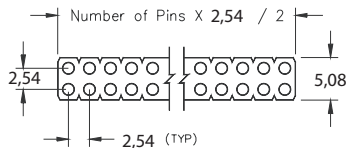
- Modular contacts for use on 2,54 grid, available in ten heights from 6,48 to 10,9, supplied in single and double row contact strips.
- Precision machined piston / base and gold plated components assure a 1,000,000 min. cycle life.
- Pistons have a long stroke relative to the low profile of the assembly.
- Low resistance, high current contacts are rated at 2 amps continuous, 3 amps peak.
- High temperature thermoplastic insulators are suitable for surface mount processes.
- Both 812 & 814 series are available on 32mm or 44mm wide carrier tape for automated pick and place assembly per EIA-481. See page 119 for strip lengths available and ordering information.



SINGLE ROW Series 812



DOUBLE ROW Series 814



Ordering Information

Single Row Series 812

812-22-0XX-30-00X-101

Specify # of contacts → 02-64
 Specify contact style 0-9

Double Row Series 814

814-22-0XX-30-00X-101

Specify # of contacts → 04-72
 Specify contact style 0-9

CONTACT STYLE	INITIAL HEIGHT A	CONTACT STYLE	INITIAL HEIGHT A
0	6,48	5	8,89
1	6,99	6	9,4
2	7,49	7	9,91
3	8,00	8	10,4
4	8,51	9	10,9

Technical Specifications

Materials:

Contact piston & Base: Machined copper alloy plated 0,51µm gold over 2,54µm nickel
 Spring: Beryllium copper plated 0,25µm gold
 Insulator: High temp. thermoplastic rated UL94 V-0

Mechanical:

Spring force @ initial height (A): 25 grams
 Spring force @ mid stroke (.0275): 60 grams
 Spring force @ full stroke (.055): 95 grams
 Durability: 1,000,000 cycles min.

Electrical:

Voltage rating: 100Vrms/150Vdc
 Current rating: 2A (continuous), 3A (peak) per contact
 Contact resistance: 20mΩ max.
 Insulation resistance: 10,000MΩ min.
 Dielectric strength: 700Vrms min.
 Capacitance: 1pF max.



Ordering Information for Series 811/812/813/814 in Carrier Tape

Single Row Series 811/812

811-22-00X-30-00X-191

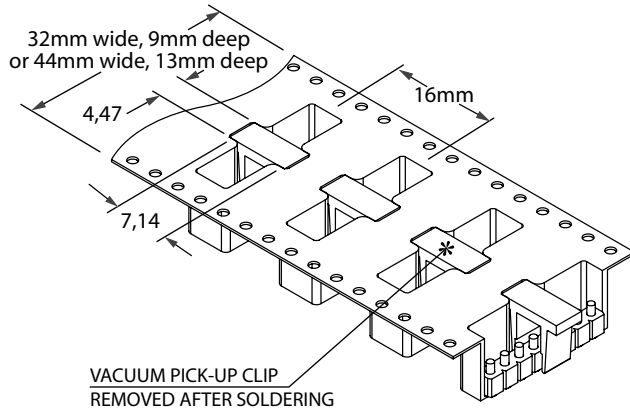
Specify # of contacts → 2-8 (32mm wide tape, 400 parts per 330 reel) → **Specify contact style 1-4**

812-22-00X-30-00X-191

Specify # of contacts → 2-8 (32mm wide tape, 400 parts per 330 reel) → **Specify contact style 0-2**

812-22-0XX-30-00X-191

Specify # of contacts → 2-12 (44mm wide tape, 200 parts per 330 reel) → **Specify contact style 3-9**



Double Row Series 813/814

813-22-0XX-30-00X-191

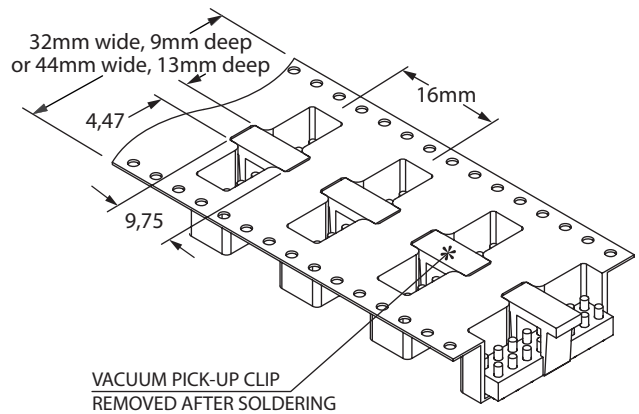
Specify # of contacts → 04-16 (32mm wide tape, 400 parts per 330 reel) → **Specify contact style 1-4**

814-22-0XX-30-00X-191

Specify # of contacts → 04-16 (32mm wide tape, 400 parts per 330 reel) → **Specify contact style 0-2**

814-22-0XX-30-00X-191

Specify # of contacts → 04-24 (44mm wide tape, 200 parts per 330 reel) → **Specify contact style 3-9**



Some Typical Applications

Cable Termination



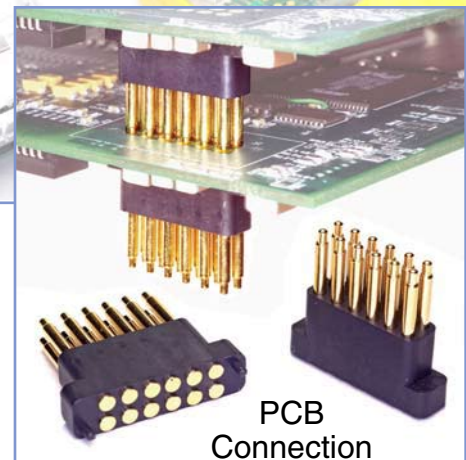
Internal Battery Connection



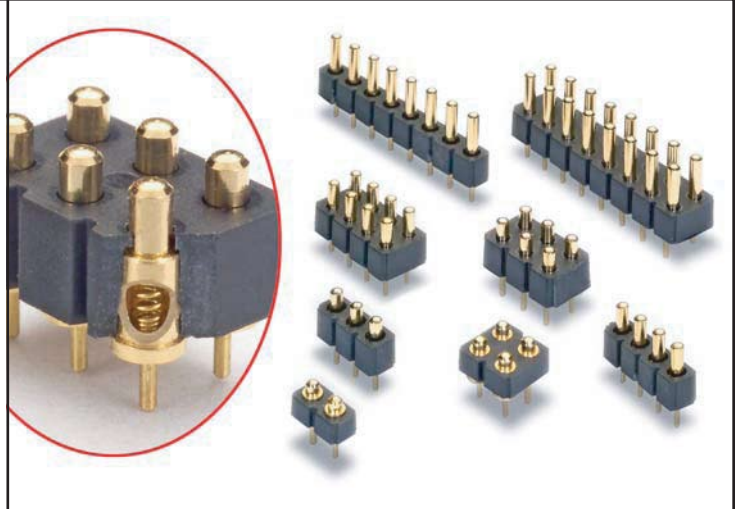
Charging Base for Portable Instruments



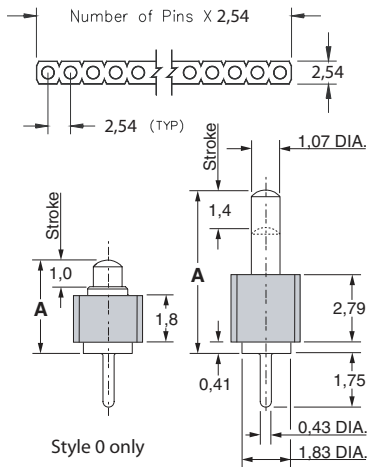
PCB Connection



- Modular contacts for use on 2,54 grid, available in five heights from 3,48 to 5,99, supplied in single and double row contact strips.
- Precision machined piston / base and gold plated components assure a 1,000,000 min. cycle life.
- Pistons have a long stroke relative to the low profile of the assembly.
- Low resistance, high current contacts are rated at 2 amps continuous, 3 amps peak.
- High temperature thermoplastic insulators are suitable for surface mount processes.
- 821 & 823 series contact strips are designed for manual placement into $\varnothing 0,56 \pm 0,08$ plated-thru-holes in the circuit board prior to hand, wave or reflow soldering.



SINGLE ROW Series 821



Ordering Information

Single Row Series 821

821-22-0XX-10-00X-101

Specify # of contacts

→ **Specify contact style 0-4**

→ 02-64

Double Row Series 823

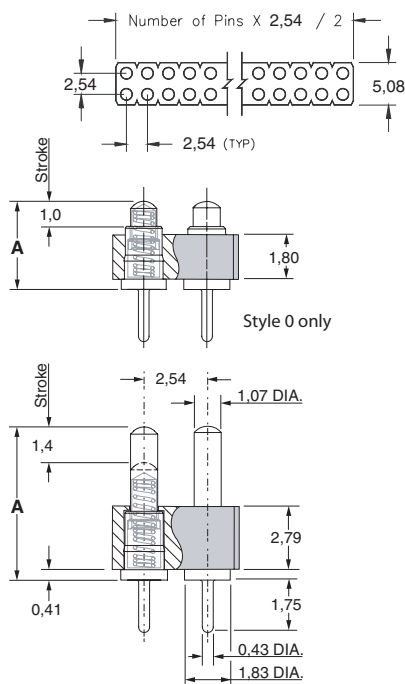
823-22-0XX-10-00X-101

Specify # of contacts

→ **Specify contact style 0-4**

→ 04-72

DOUBLE ROW Series 823



CONTACT STYLE	INITIAL HEIGHT A
0	3,48
1	4,5
2	5,0
3	5,51
4	5,99

0

3,48

1

4,5

2

5,0

3

5,51

4

5,99

Technical Specifications

Materials:

Contact piston & Base: Machined copper alloy plated 0,51µm gold over 2,54µm nickel
 Spring: Beryllium copper plated 0,25µm gold
 Insulator: High temp. thermoplastic rated UL94 V-0

Mechanical:

Spring force @ initial height (A): 25 grams
 Spring force @ mid stroke (B/2): 60 grams
 Spring force @ full stroke (B): 95 grams
 Durability: 1,000,000 cycles min.

Electrical:

Voltage rating: 100Vrms/150Vdc
 Current rating: 2A (continuous), 3A (peak) per contact
 Contact resistance: 20mΩ max.
 Insulation resistance: 10,000MΩ min.
 Dielectric strength: 700Vrms min.
 Capacitance: 1pF max.

