

Relay module; relay with 2 changeover contacts (2u)

Item No.: 286-312



Relay module; relay with 2 changeover contacts (2u)

Marking

RoHS ✓
Compliant

Business data

Supplier	WAGO
Item no.	286-312
GTIN / EAN	4045454427986
Content	1
Order amount	1
Customer item number	

Notes

Technical data

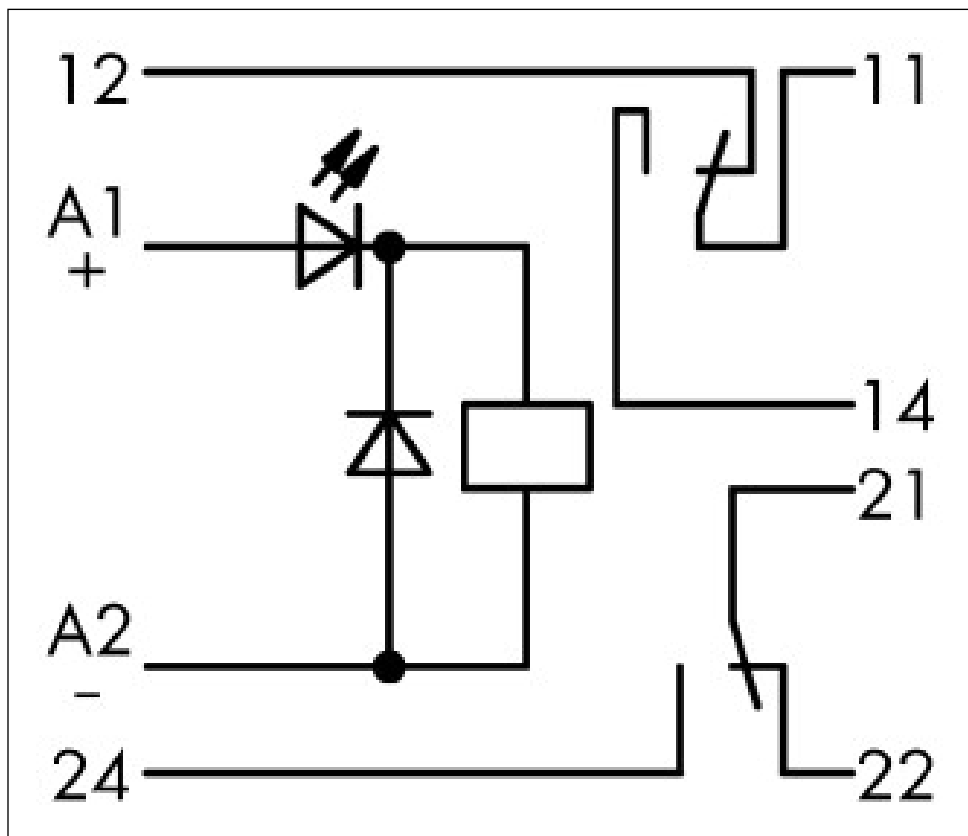
Miscellaneous

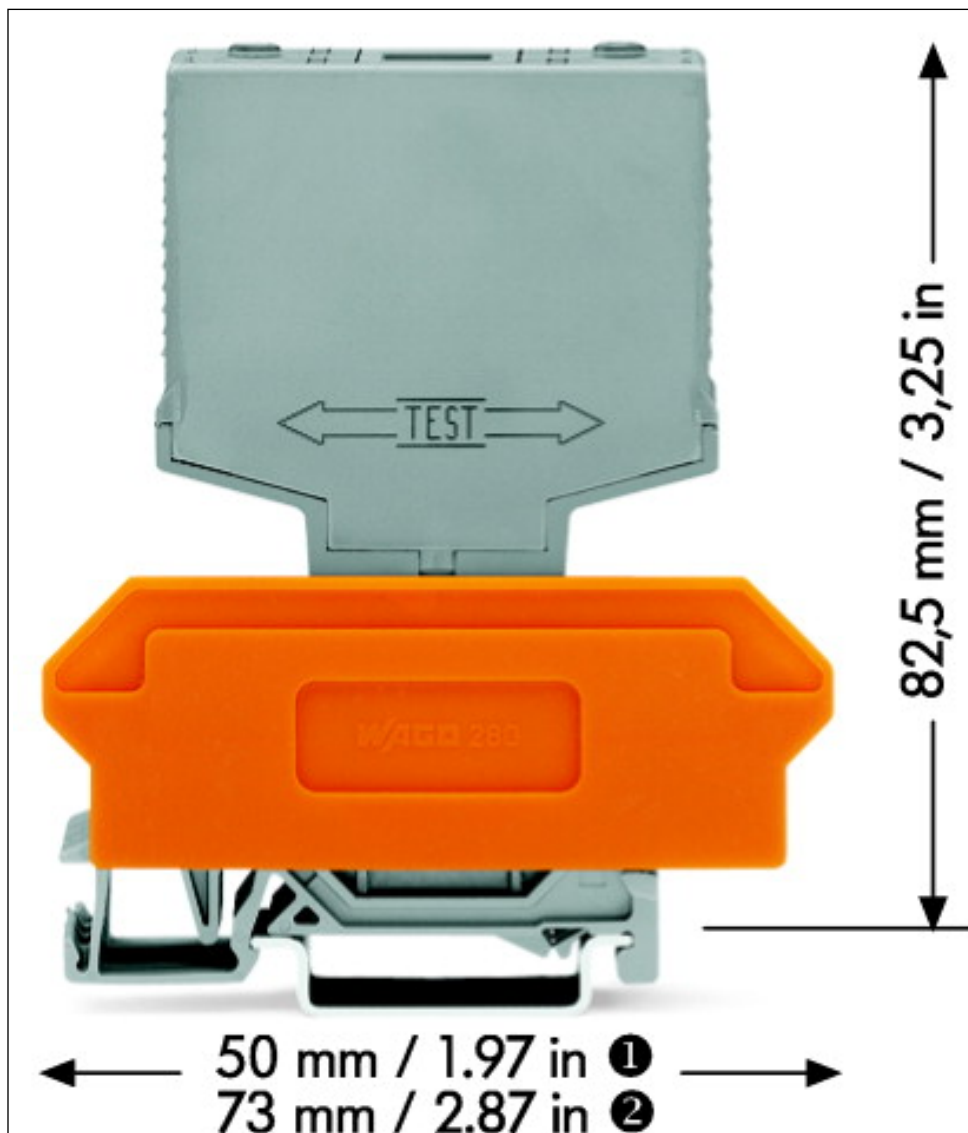
Color	gray
Pollution degree (1)	2
Rated voltage EN (1) [V]	250 [V]
Rated surge voltage (1) [kV]	4 [kV]
Pull-in time (typ.) [ms]	18 [ms]
Mechanical life	30 x 10 ⁷ switching operations
Drop-out time (typ.) [ms]	3 [ms]
Nominal input current I _N	21.8 mA
Operating power	1,000 mW
Max. switching voltage	250 VAC

Technical data	
<i>Max. switching power (resistive)</i>	1750 VA
<i>Bounce time (typ) [ms]</i>	2 [ms]
<i>Dielectric strength, contact-coil (AC, 1 min) [kVrms</s></i>	4 [kVrms]
<i>Mechanical life at max. load (resistance)</i>	2.5 x 10 ⁵ switching operations
<i>Nominal input voltage VN</i>	24 VDC
<i>Max. continuous current</i>	7 A
<i>Max. make current</i>	0.2 s, 30 A
<i>Pull-in power (mW) [mW]</i>	600 [mW]
<i>Contact material</i>	AgNi 0.15
<i>Weight [g]</i>	39.609 [g]
<i>Width</i>	20 mm / 0.787 in
<i>Standards/specifications</i>	EN 60664-1
<i>Ambient operating temperature at VN</i>	-25 °C ... +40 °C

Images & drawings







Address

WAGO Kontakttechnik GmbH & Co. KG

Hansastr. 27

32423 Minden

Telefon: 0571/887-0

Fax: 0571/887-169

<http://www.wago.com>

© WAGO Kontakttechnik GmbH & Co. KG

Technische Änderungen und Irrtümer vorbehalten.