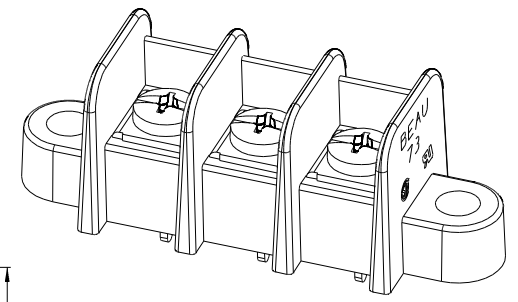
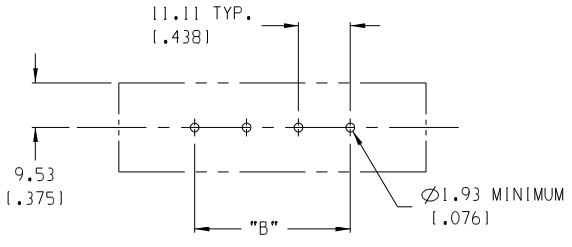
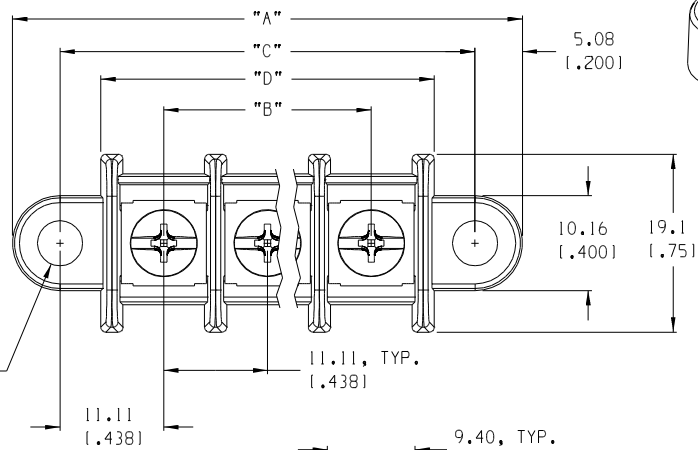


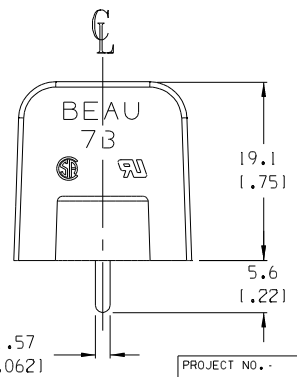
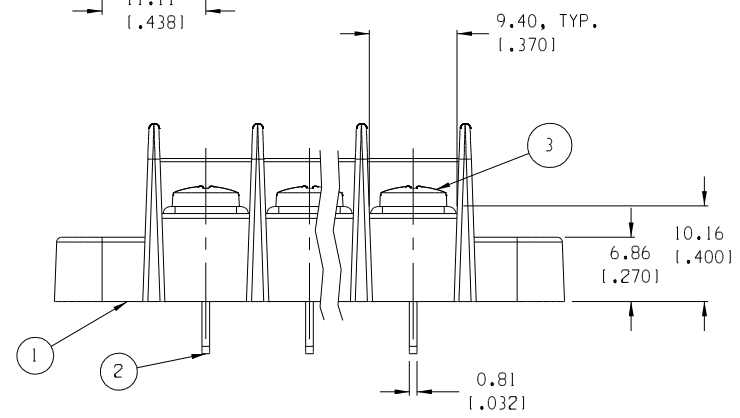
# OF CIRC. "XX"	DIM. "A"	DIM. "B"	DIM. "C"	DIM. "D"	ASSEMBLY MATERIAL NO.
02	43.5 [1.711]	11.11 [1.438]	33.34 [1.313]	24.5 [1.971]	387344002
03	54.6 [2.151]	22.23 [1.875]	44.45 [1.750]	35.7 [1.401]	387344003
04	65.7 [2.591]	33.34 [1.313]	55.56 [2.188]	46.8 [1.841]	387344004
05	76.8 [3.031]	44.45 [1.750]	66.68 [2.625]	57.9 [2.281]	387344005
06	87.9 [3.461]	55.56 [2.188]	77.79 [3.063]	69.0 [2.721]	387344006
07	99.1 [3.901]	66.68 [2.625]	88.90 [3.500]	80.1 [3.151]	387344007
08	110.2 [4.341]	77.79 [3.063]	100.01 [3.938]	91.2 [3.591]	387344008
09	121.3 [4.781]	88.90 [3.500]	111.13 [4.375]	102.3 [4.031]	387344009
10	132.4 [5.211]	100.01 [3.938]	122.24 [4.813]	113.4 [4.471]	387344010
11	143.5 [5.651]	111.13 [4.375]	133.35 [5.250]	124.6 [4.901]	387344011
12	154.6 [6.091]	122.24 [4.813]	144.46 [5.688]	135.7 [5.341]	387344012
13	165.7 [6.531]	133.35 [5.250]	155.58 [6.125]	146.8 [5.781]	387344013
14	176.8 [6.961]	144.46 [5.688]	166.69 [6.563]	157.9 [6.221]	387344014
15	188.0 [7.401]	155.58 [6.125]	177.80 [7.000]	169.0 [6.651]	387344015
16	199.1 [7.841]	166.69 [6.563]	188.91 [7.438]	180.1 [7.091]	387344016
17	210.2 [8.281]	177.80 [7.000]	200.03 [7.875]	191.2 [7.531]	387344017
18	221.3 [8.711]	188.91 [7.438]	211.14 [8.313]	202.3 [7.971]	387344018
19	232.4 [9.151]	200.03 [7.875]	222.25 [8.750]	213.5 [8.401]	387344019
20	243.5 [9.591]	211.14 [8.313]	233.36 [9.188]	224.6 [8.841]	387344020



3 LENGTH SHOWN



RECOMMENDED PTH PATTERN
SCALE 1:1



- NOTES:
1. MATERIAL: SEE TABLE
 2. FINISHES: SEE TABLE
 3. PRODUCT SPECIFICATION: NOT REQUIRED
 4. PACKAGING: NOT REQUIRED
 5. MATES WITH: NONE
 6. "XX" REFERS TO THE QUANTITY OF CIRCUITS.

ITEM	QTY.	DESCRIPTION	MATERIAL	FINISH
3	XX	SCREW, #6-32, BIND. HD. PHIL-SLOT	STEEL	ZN, CLEAR CHROMATE
2	XX	TERMINAL, PC	BRASS	TIN
1	1	INSULATOR, CLOSED SIDE	THERMOPLASTIC	BLACK

EC NO. RELEASED CLY DRN: CH'K: APPR: A	QUALITY SYMBOLS MAJOR CRITICAL SPC	GENERAL TOLERANCES: (UNLESS SPECIFIED) mm INCH		SCALE: 2:1 DESIGN UNITS: <input type="checkbox"/> mm <input checked="" type="checkbox"/> INCH	THIRD ANGLE PROJECTION
		4 PLACES ±.0015 3 PLACES ±.005 2 PLACES ±.01 1 PLACE ±.3	DRAWN BY & DATE C.YORK 11-18-04	TITLE: 11.11mm [1.438"] SR BTS ASSY, CLOSED SIDE	
		ANGULAR: ±2°	CHECKED BY & DATE APPROVED BY & DATE	MOLEX INCORPORATED	
		DRAFT WHERE APPLICABLE MUST REMAIN WITHIN DIMENSIONS	CAD FILENAME 73R5XX	MATERIAL NO. SEE CHART	DRAWING NO. SD-38734-003
THIS DRAWING CONTAINS INFORMATION THAT IS PROPRIETARY TO MOLEX INCORPORATED AND SHOULD NOT BE USED WITHOUT WRITTEN PERMISSION.					SIZE B