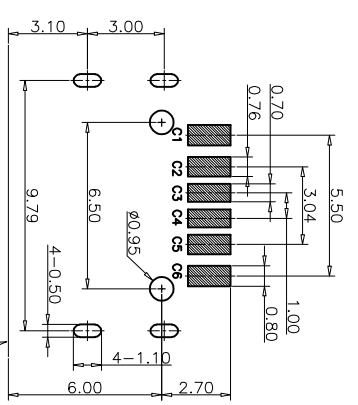
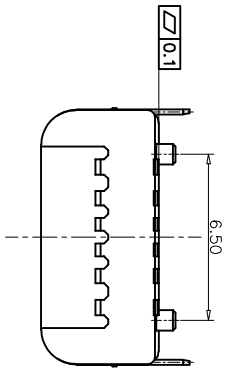
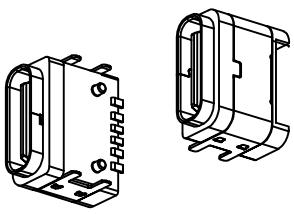


CUSTOMER

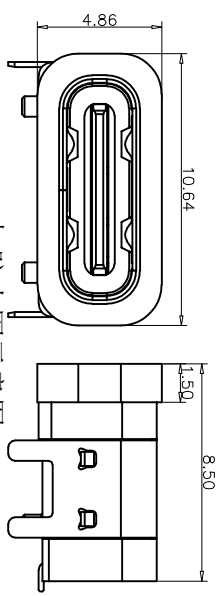
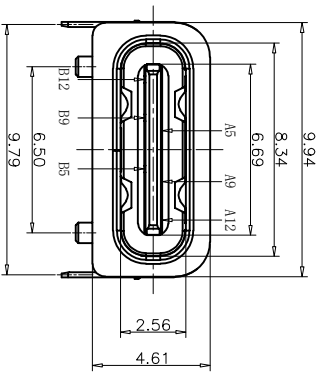
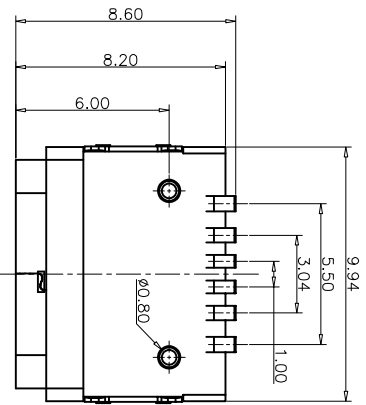
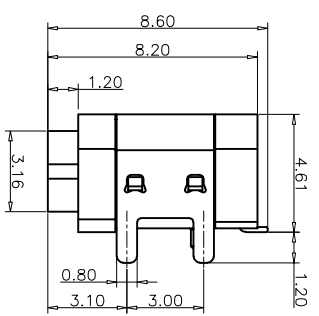
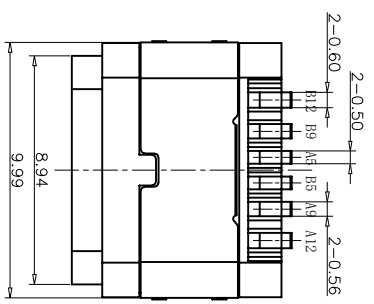
| REV. | ECN NO. | DESCRIPTION | DATE | DESIGN |
|------|---------|-------------|------|--------|
| | | | | |



RECOMMEND P.C.B LAYOUT(COMPONENT SIDE)
TOLERANCE FOR PCB LAYOUT IS ±0.05



- NOTES:
SPECIFICATION:
1. CURRENT RATING: 3.0A MAX
2. VOLTAGE: 100 VAC
3. TEMPERATURE RANGE: -30°C~+85°C
4. CONTACT RESISTANCE: 40 MILLIONHM MAX
5. INSULATION RESISTANCE: 100 MEGOHMS MIN
6. INSERTION FORCE: 5N~20N
7. UNMATING FORCE: 8N~20N
8. DURABILITY: 10000 CYCLES
9. WATER PROOFNESS: THIS PRODUCT IS BASED ON IPX7.



PIN ASSIGNMENT:

| PIN NO | A1&B12 | A4&B9 | A5 | B5 | A9&B4 | A12&B1 |
|-------------|--------|-------|-----|-----|-------|--------|
| SIGNAL NAME | GND | VBUS | CC1 | CC2 | VBUS | GND |
| PCB PAD NO. | C1 | C2 | C3 | C4 | C5 | C6 |

TABLE:

| NO | PART | QTY | Material |
|----|-----------------|-----|---|
| 1 | SHELL | 1 | STAINLESS STEEL,NI PLATED |
| 2 | CONTACT | 6 | COPPER STEEL,TIN/AV/NI PLATED |
| 3 | MID PLATE | 1 | STAINLESS STEEL,NO PLATING |
| 4 | IND HOUSING | 1 | HIGH TEMPERATURE RESISTANT PLASTIC BLACK UL94 V-0 |
| 5 | ZMD HOUSING | 1 | HIGH TEMPERATURE RESISTANT PLASTIC BLACK UL94 V-0 |
| 6 | SHIELDING PLATE | 1 | STAINLESS STEEL,NI PLATED |

| | | |
|---------------------|---------------------|-------------------------------|
| TOLERANCE | NAME (INTENDED USE) | TITLE: |
| X.X ±0.30 X.X' ±10' | CUSTOMER DRAWING | FR 6P防水六级胶板上四脚8.2L |
| XX ±0.20 X.X' ±8' | | |
| .XXX ±0.10 .XX' ±5' | | |
| UNITS: mm | DESIGN: ZXM | |
| MATERILA | CHED: | DRAWG NO. FY23-011TC61F182-64 |
| FINISH | APPD: | SCALE SHEET REV. 1/2 A |

广州富盈实业精密科技有限公司
Guangdong FUYOU Precision Electronic Technology Co.,Ltd.

6 5 4 3 2 1