

SVX-4096-VW

LCD Controller For Video Wall Panels

The SVX-4096-VW is designed as a single board video wall display solution for LCD video wall panels.

Key Features:

- » Input video up to 4096 x 2160
- » LCD panels up to 4096x2160 @60Hz with V-by-One connectivity
- » LCD panels of 1920x1080 & 1920x1200 with LVDS connectivity
- » HDMI 2.0, HDMI 1.4, DisplayPort 1.2, DVI-I Dual Link
- » Displayport daisy chain to link all panels from a single input source
- » Scaling & video wall image tiling functionality
- » Ethernet with daisy chain for commands & control

Panel Connectivity

V-by-One:	up to 4096x2160 @60Hz
LVDS:	1920x1080 & 1920x1200 @60Hz
Panel resolutions:	4096x2160 & 3840x2160 1920x1080 & 1920x1200

Input

HDMI 2.0:	60Hz up to 4096 x 2160 75Hz up to 1600 x 1200
HDMI 1.4:	30Hz up to 4096 x 2160 60Hz up to 2560 x 1600 75Hz up to 1600 x 1200
DisplayPort 1.2:	60Hz up to 4096 x 2160 75Hz up to 1600 x 1200
	Displayport input also has a complementary output enabling a daisy-chain of the signal to other panels in a video wall.
	Other inputs will be supported in future.
DVI-I Dual Link:	30Hz up to 4096 x 2160 60Hz up to 2560 x 1600 75Hz up to 1600 x 1200

Reliability

Calculated MTBF:	In excess of 100,000 hours
Warranty:	3 years

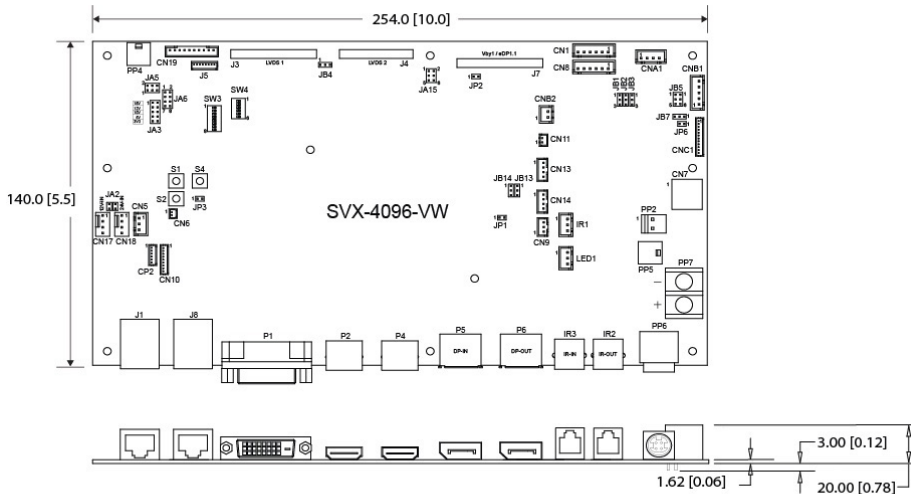
Features

Colors:	Up to 10 bit per color, ie 1.06 billion colors
Function Display:	On Screen Display (OSD) menu
Function Controls:	External buttons, Infra-Red controls, Serial Port control, Ethernet Control
Image Scaling:	Designed for video wall installations
Image Control:	Brightness, Contrast, Color Temperature, Image position, Saturation, Hue, Sharpness
Other Features:	System information, Scaling to fill screen and fill to aspect ratio, Programmable hotkeys, Factory reset, Picture in Picture (PiP), Picture by Picture (PbP), Ambient light sensor support, Enable frame buffer for FRC image enhancement, OSD menu transparency, DDC-CI support
Communication:	Ethernet with daisy-chain to other displays
Power:	+12VDC / +24VDC ±5%, 10W (controller only)
Panel Power:	Supports 3.3V, 5V, 10V, 12V & 18V panels
Inverter Support:	DPMS Enable pin (3.3V or 5V), PWM
Plug & Play:	DDC 1,2/b compatible
Status Indicator:	Dual color LED support
Audio:	Digital Audio SPDIF & line-out
Calibration:	Digital View offers a panel calibration utility supporting the Spyder5.
Custom Splash-screen:	The SVX-4096-VW supports custom splash-screen when powering on. This requires custom firmware.
Firmware upgrade:	The SVX-4096-VW firmware version can be upgraded directly from a PC running Windows 7~10 directly via the Displayport. Contact Digital View or distribution partner for details.



SVX-4096-VW LCD Controller for Video Wall Panels

Mechanical Drawing



Connector Definitions

CN1	Reserved for second RS-232 serial control
CN5	Reserved for external temperature sensor
CN6	Reserved for light sensor
CN7	Reserved for audio line out
CN8	RS-232 serial control
CN9	Ambient light sensor connector
CN10	Reserved for fan & backlight power monitoring
CN11	SPDIF Audio output
CN13	Reserved for Line in
CN14	Reserved for Speaker out
CN17	12V power to Fan 1
CN18	12V power to Fan 2
CN19	Additional panel power output
CNA1	Auxiliary power output
CNB1	Backlight inverter
CNB2	Backlight status input connector
CNC1	OSD control
CP2	Reserved
IR1	Infra-red sensor connector
IR2	Infra-red daisy-chain out
IR3	Infra-red daisy-chain in
J1	Ethernet 1
J3	LVDS 1
J4	LVDS 2
J5	Panel power output
J7	V-by-One panel signal output
J8	Ethernet 2
LED1	Power LED connector
P1	DVI-I
P2	HDMI (1.4)
P4	HDMI (2.0)
P5	Display Port daisy-chain in
P6	Display Port daisy-chain out
PP2	Power input (alternative)
PP4	External panel power input
PP5	12V/24VDC input power
PP6	Power input connector (4 pin DIN)
PP7	Power input connector (Terminal block)

Ordering Options

SVX-4096-VW	P/N: 4176200XX-3
Inverter interface board	[subject to panel model]
IR remote control	P/N: 559000106-3
OSD digital button board	Kit 67110-3
OSD membrane kit - Vertical	Kit 67134-3
OSD membrane kit - Horizontal	Kit 67135-3
AVD-1000, composite add-on	Kit 71300-3
HD-3000, 3G-SDI adaptor	P/N: 4160160XX-3
Audio Add-on board	P/N: 4169400XX-3

Drawings

- » 2D (jpg)
- » 3D (SLDPRT)

Download at:

<http://www.digitalview.com/products/svx-4096-vw-lcd-controller>

Available Resources

- » Instruction manual
 - » Revision control documentation
 - » Firmware upgrade manual**
 - » Mechanical drawing
 - » Custom engineering: Splash screen, OSD menu, coatings, & more...
- ** Available on request

Controller Solution Generator

<http://www.digitalview.com/csg>

USA

18440 Technology Drive, Morgan Hill, CA 95037, USA
t: +1 (408) 782-7773

EUROPE

The Lake House, Knebworth Park, Herts, SG3 6PY, UK
t: +44 (0) 20-7631-2150

ASIA

2/F Bamboos Centre, 52 Hung To Rd, Kwun Tong, Hong Kong
t: (852) 2861-3615



The QR code above links to the product page on the website

Mouser Electronics

Authorized Distributor

Click to View Pricing, Inventory, Delivery & Lifecycle Information:

[Digital View:](#)

[4176200XX-3](#)