

# CA-16S1N1290DN - Coupler connector



1620156

<https://www.phoenixcontact.com/us/products/1620156>

Please be informed that the data shown in this PDF document is generated from our online catalog. Please find the complete data in the user documentation. Our general terms of use for downloads are valid.



M23, Coupler connector, series: CA, straight, shielded: yes, for standard and SPEEDCON interlock, No. of pos.: 16, Direction of rotation: Standard, contact connection type: Socket, Solder connection, cable diameter range: 3 mm ... 14.5 mm, coding: N, Alternative product in accordance with RoHS II without Exemption 6c (Pb < 0.1 %) item no.: 1244045

## Your advantages

- Safe use in the field, thanks to high degree of protection
- Connector for flexible on-site assembly
- Consistent EMC protection for reliable transmission of signals
- Solder connection: proven connection technology for various litz wires

## Commercial data

Item number	1620156
Packing unit	1 pc
Minimum order quantity	1 pc
Product key	ABRAEG
GTIN	4046356818896
Weight per piece (including packing)	99.6 g
Weight per piece (excluding packing)	99.6 g
Country of origin	DE

# CA-16S1N1290DN - Coupler connector



1620156

<https://www.phoenixcontact.com/us/products/1620156>

## Technical data

### Product properties

Product type	Circular connector (cable-side)
--------------	---------------------------------

### Connector

#### Connection 1

Head design	Socket
-------------	--------

#### Insulating body

Coding	N
Insulation body material	PBT
Contact material	CuZn
Contact surface material	Ni/Au
Insertion/withdrawal cycles	100
Connection method	Solder connection
Contact switching type	Socket
Application	Signal
Number of positions	16
Direction of rotation	Standard
Connection profile	16
Rated voltage	48 V AC 74 V DC
Rated surge voltage	1.5 kV
Overvoltage category	III
Degree of pollution	3
Contact diameter <b>Signal contacts</b>	1 mm
Litz wire cross-section <b>Signal contacts</b> max.	1 mm <sup>2</sup>
Nominal current per signal contact	8 A

#### Housing

Housing material	Turned parts: copper zinc alloy (CuZn), die-cast parts: zinc (GD-Zn)
Type of locking	for standard and SPEEDCON interlock
Pg screw connection	none
Degree of protection (plugged in)	IP67
Thread type	M23

#### Seal

External cable diameter	3 mm ... 14.5 mm
Seal material	NBR

### Environmental and real-life conditions

# CA-16S1N1290DN - Coupler connector



1620156

<https://www.phoenixcontact.com/us/products/1620156>

## Ambient conditions

Ambient temperature (operation)

-40 °C ... 125 °C

# CA-16S1N1290DN - Coupler connector

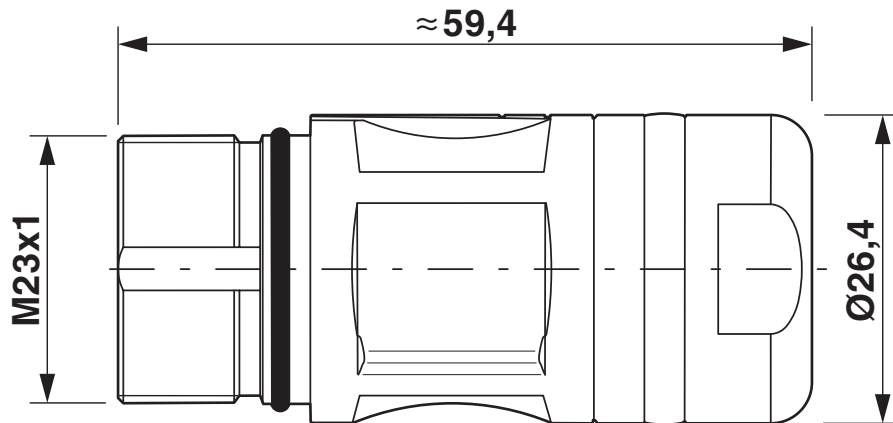


1620156

<https://www.phoenixcontact.com/us/products/1620156>

## Drawings

Dimensional drawing



Technical drawings can be found under Downloads

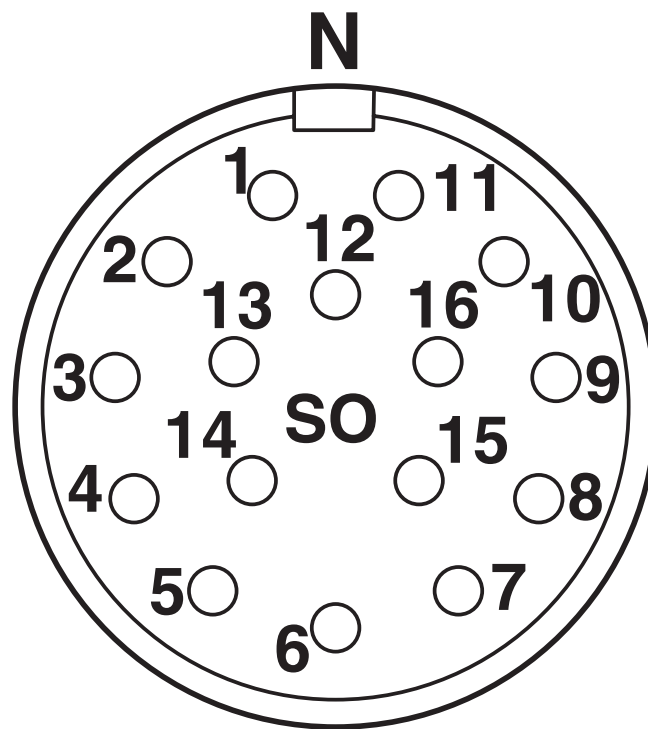
# CA-16S1N1290DN - Coupler connector



1620156

<https://www.phoenixcontact.com/us/products/1620156>

Schematic diagram



Connector pin assignment

# CA-16S1N1290DN - Coupler connector





1620156

<https://www.phoenixcontact.com/us/products/1620156>

## Approvals

To download certificates, visit the product detail page: <https://www.phoenixcontact.com/us/products/1620156>

 <b>cUL Recognized</b> Approval ID: E335019-20141210				
	Nominal voltage $U_N$	Nominal current $I_N$	Cross section AWG	Cross section $\text{mm}^2$
	48 V	5 A	18 - 18	-

 <b>UL Recognized</b> Approval ID: E335019-20141210				
	Nominal voltage $U_N$	Nominal current $I_N$	Cross section AWG	Cross section $\text{mm}^2$
	48 V	8 A	18 - 18	-

<b>cULus Recognized</b>				
-------------------------	--	--	--	--

# CA-16S1N1290DN - Coupler connector



1620156

<https://www.phoenixcontact.com/us/products/1620156>

## Classifications

### ECLASS

ECLASS-11.0	27440102
ECLASS-12.0	27440116
ECLASS-13.0	27440116

### ETIM

ETIM 9.0	EC002635
----------	----------

### UNSPSC

UNSPSC 21.0	39121400
-------------	----------

# CA-16S1N1290DN - Coupler connector



1620156

<https://www.phoenixcontact.com/us/products/1620156>

## Environmental product compliance

### EU RoHS

Fulfills EU RoHS substance requirements	Yes
Exemption	6(c)

### China RoHS

Environment friendly use period (EFUP)	EFUP-50
	An article-related China RoHS declaration table can be found in the download area for the respective article under "Manufacturer declaration". For all articles with EFUP-E, no China RoHS declaration table issued and required.

### EU REACH SVHC

REACH candidate substance (CAS No.)	Lead(CAS: 7439-92-1)
SCIP	c570a688-b3ad-42f1-9f8e-eea579c375c4



# CA-16S1N1290DN - Coupler connector

1620156

<https://www.phoenixcontact.com/us/products/1620156>

## Accessories

### SF-Z0019 - Protective cap

1607449

<https://www.phoenixcontact.com/us/products/1607449>



Plastic protection cap, with eye, IP40 for connectors with M23 external thread, RF, SF series

---

### RC-Z2469 - Protective cap

1611797

<https://www.phoenixcontact.com/us/products/1611797>



Plastic protection cap, antistatic, for RF, SF, CA, RC series connectors, with M23 external thread

# CA-16S1N1290DN - Coupler connector



1620156

<https://www.phoenixcontact.com/us/products/1620156>

## RF-Z0014 - Color coding

1620588

<https://www.phoenixcontact.com/us/products/1620588>

Color coding, color: green



---

## RF-Z0015 - Color coding

1620592

<https://www.phoenixcontact.com/us/products/1620592>

Color coding, color: orange



# CA-16S1N1290DN - Coupler connector

1620156

<https://www.phoenixcontact.com/us/products/1620156>



## RF-Z0016 - Color coding

1620593

<https://www.phoenixcontact.com/us/products/1620593>

Color coding, color: black



---

## PROT-M23PRO-OT-IP20 - Plastic protective cap

1055753

<https://www.phoenixcontact.com/us/products/1055753>

Plastic protective cap, M23, degree of protection: IP20, series: M23 PRO



---

Phoenix Contact 2024 © - all rights reserved  
<https://www.phoenixcontact.com>

Phoenix Contact USA  
586 Fulling Mill Road  
Middletown, PA 17057, United States  
(+717) 944-1300  
[info@phoenixcon.com](mailto:info@phoenixcon.com)