

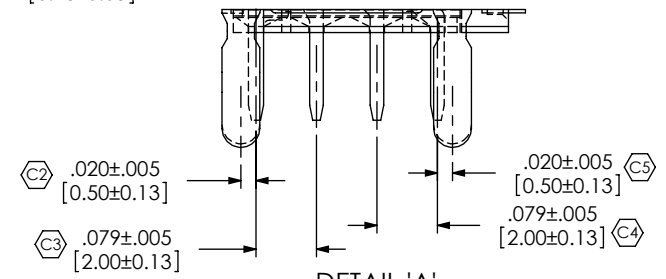
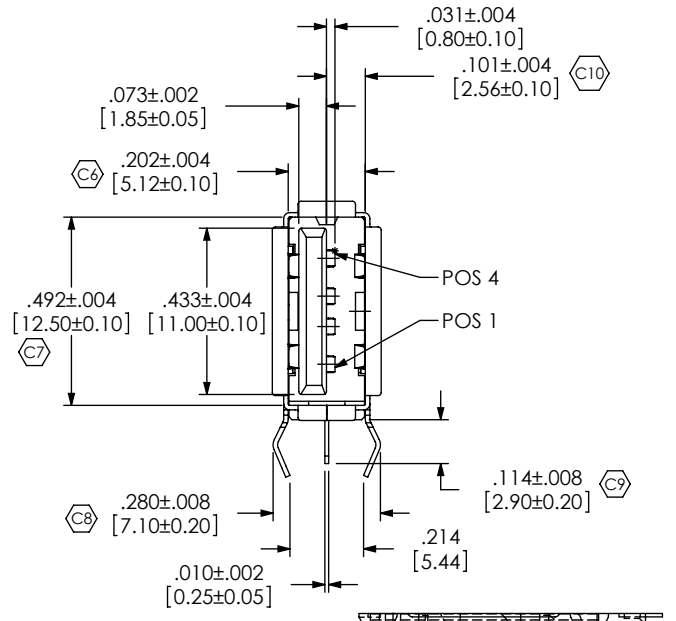
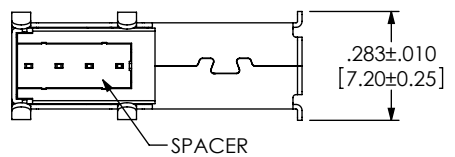
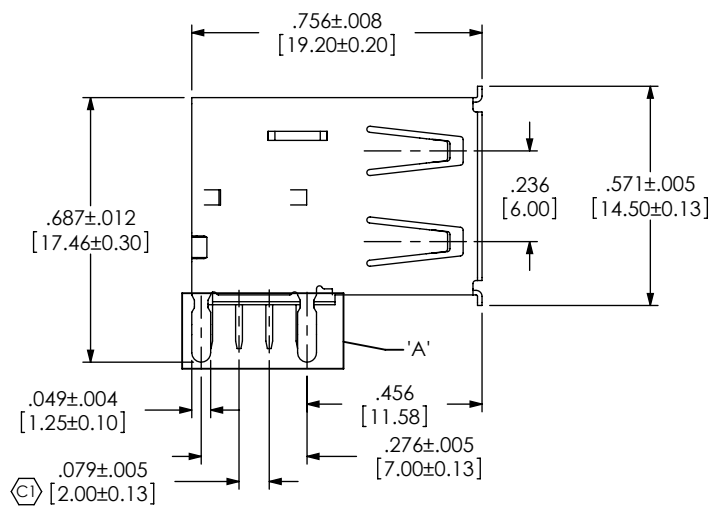
NOTES:

1. Ⓢ REPRESENTS A CRITICAL DIMENSION.
2. VERIFY -S PLATING, VISUALLY CHECK -F ONLY.
3. ALL PARTS RoHS COMPLIANT WITH OR WITHOUT -RC.
4. PARTS TO SHIP IN TRAYS

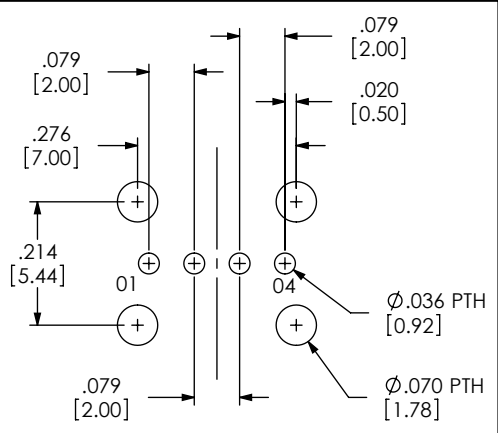
DO NOT SCALE FROM THIS PRINT

USB-A-S-X-X-VU-XX


TYPE -A
 CONFIGURATION -S: SINGLE
 ELOPTION -RC: RoHS COMPLIANT - LEAD FREE WITH HIGH TEMP INSULATOR
 RA TERMINATION -VU: VERTICAL UPRIGHT
 COLOR -B: BLACK -W: WHITE
 PLATING -F: 1 μ" SELECTIVE GOLD IN CONTACT AREA, MATTE TIN ON TAIL (SEE NOTE 3 FOR -RC OPTION)
 -S: 30 μ" SELECTIVE GOLD IN CONTACT AREA, MATTE TIN ON TAIL (SEE NOTE 3 FOR -RC OPTION)



DETAIL 'A'
SCALE 4 : 1



RECOMMENDED PCB LAYOUT

<p>UNLESS OTHERWISE SPECIFIED, DIMENSIONS ARE IN INCHES. TOLERANCES ARE: DECIMALS ANGLES .X: ±.01 [.3] .XX: ±.005 [.13] .XXX: ±.004 [.10]</p>	<p>PROPRIETARY NOTE THIS DOCUMENT CONTAINS INFORMATION CONFIDENTIAL AND PROPRIETARY TO SAMTEC, INC. AND SHALL NOT BE REPRODUCED OR TRANSFERRED TO OTHER DOCUMENTS OR DISCLOSED TO OTHERS OR USED FOR ANY PURPOSE OTHER THAN THAT WHICH IT WAS OBTAINED WITHOUT THE EXPRESSED WRITTEN CONSENT OF SAMTEC, INC.</p>	 <p>520 PARK EAST BLVD, NEW ALBANY, IN 47150 PHONE: 812-944-6733 FAX: 812-948-5047 e-Mail: info@SAMTEC.com code: 55322</p>
<p>MATERIAL: DO NOT SCALE DRAWING SHEET SCALE: 2:1 INSULATOR: NYLON 9T, UL 94V-0 CONTACT OR TERMINAL: PHOS BRONZE BACK SHIELD: NICKEL PLATED PHOS BRONZE FRONT SHIELD: TIN PLATED PHOS BRONZE MAX FLASH ALLOWED: .051 MAX GATE VESTIGE: .051</p>		<p>DESCRIPTION: USB A, SINGLE, VERTICAL UPRIGHT THROUGH HOLE DWG. NO. USB-A-S-X-X-VU-XX BY: LENNY K 10/19/06 SHEET 1 OF 1</p>