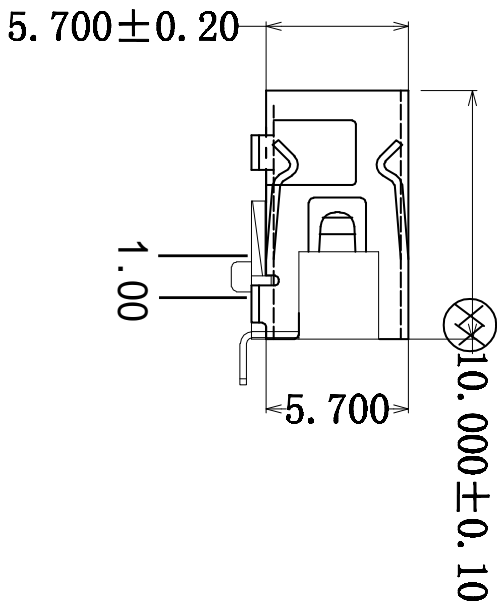
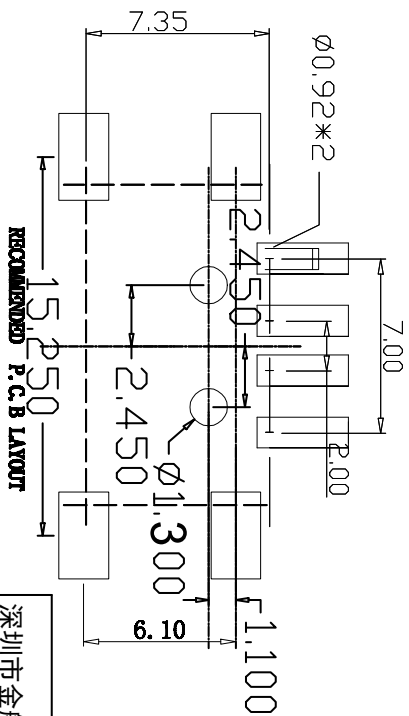
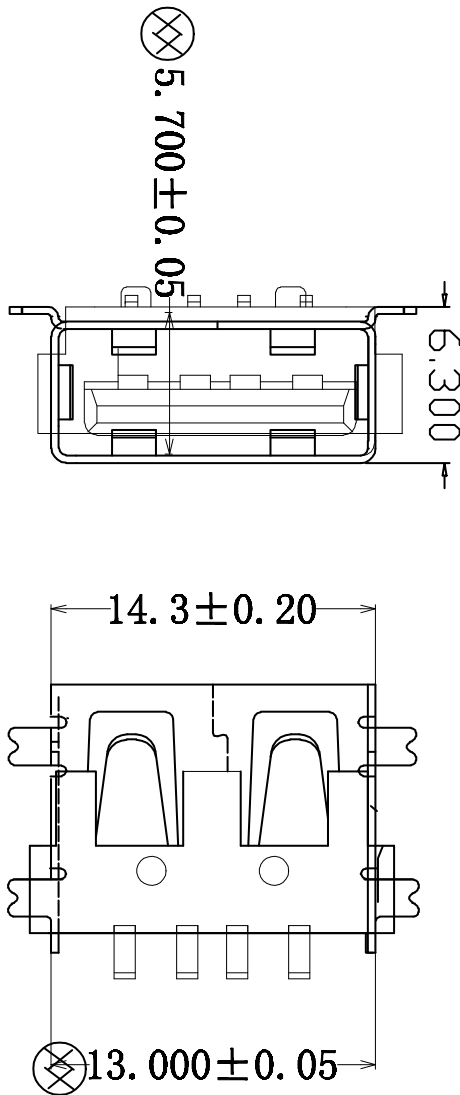
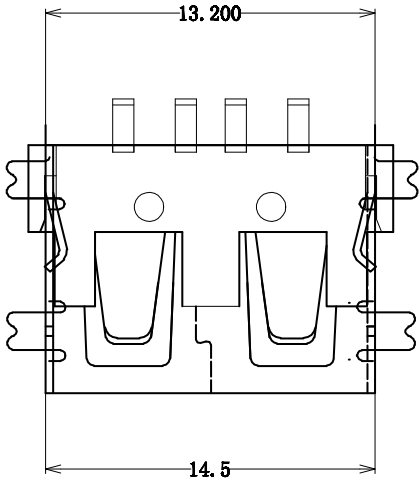


NO.	PART NO.	NAME	MATERIAL	COLOR	QTY
1	408-C010X3000	USB A/F 插件10.0mm(垂直间距: 90°GEMH)	Copper Alloy/SPCC		1PCS
2	408-A000X110	USB A/F 插件10.0mm	PBT		1PCS
3	408-B001X1000	USB A/F 90° 凹型端子(公: 32.5mm)	Copper Alloy		4PCS

NOTES:

1. MATERIAL SPECIFICATION
 - 1) INSULATION MATERIAL: THERMOPLASTIC.
 - 2) SHELL: COPPER ALLOY/SPCC, T: 0.30mm
 - PLATING: NICKEL
 - 3) TERMINAL: COPPER ALLOY, T: 0.25mm
 - PLATING: GOLD/TIN PLATED.
 2. ELECTRICAL CHARACTERISTICS:
 - 1) INSULATION RESISTANCE: 1000MΩ MIN.
 - 2) CONTACT RESISTANCE: 30mΩ MAX.
 - 3) WITHSTANDING VOLTAGE: 500V AC.
 3. MECHANICAL CHARACTERISTICS:
 - 1) INSERTION FORCE: 3.57kgf MAX.
 - 2) EXTRACTON FORCE: 1.02kgf MIN.
- ORDERING INFORMATION



TOLERANCE					
	I.	II.	III.	IV.	V.
A	±0.20	±0.10	±0.05	±0.03	±1°
B	±0.50	±0.20	±0.10	±0.05	±2°
C	±0.80	±0.40	±0.20	±0.10	±3°

深圳市金航标电子有限公司		WWW.BDS666.COM		DRAWING BY: Brand/Model:	
KH-AF90QSMT-10-H6.3		0755-83044319		CHECK BY: PART NAME:	
MATERIAL:		UNIT:		THIRD ANGLE	
SUPERFICTICS:		SCALE:		APPROVED	
COLOR:		REV:		DRAWING NO.	
				DATE:	
				USER'S OR TOOLING NO.	