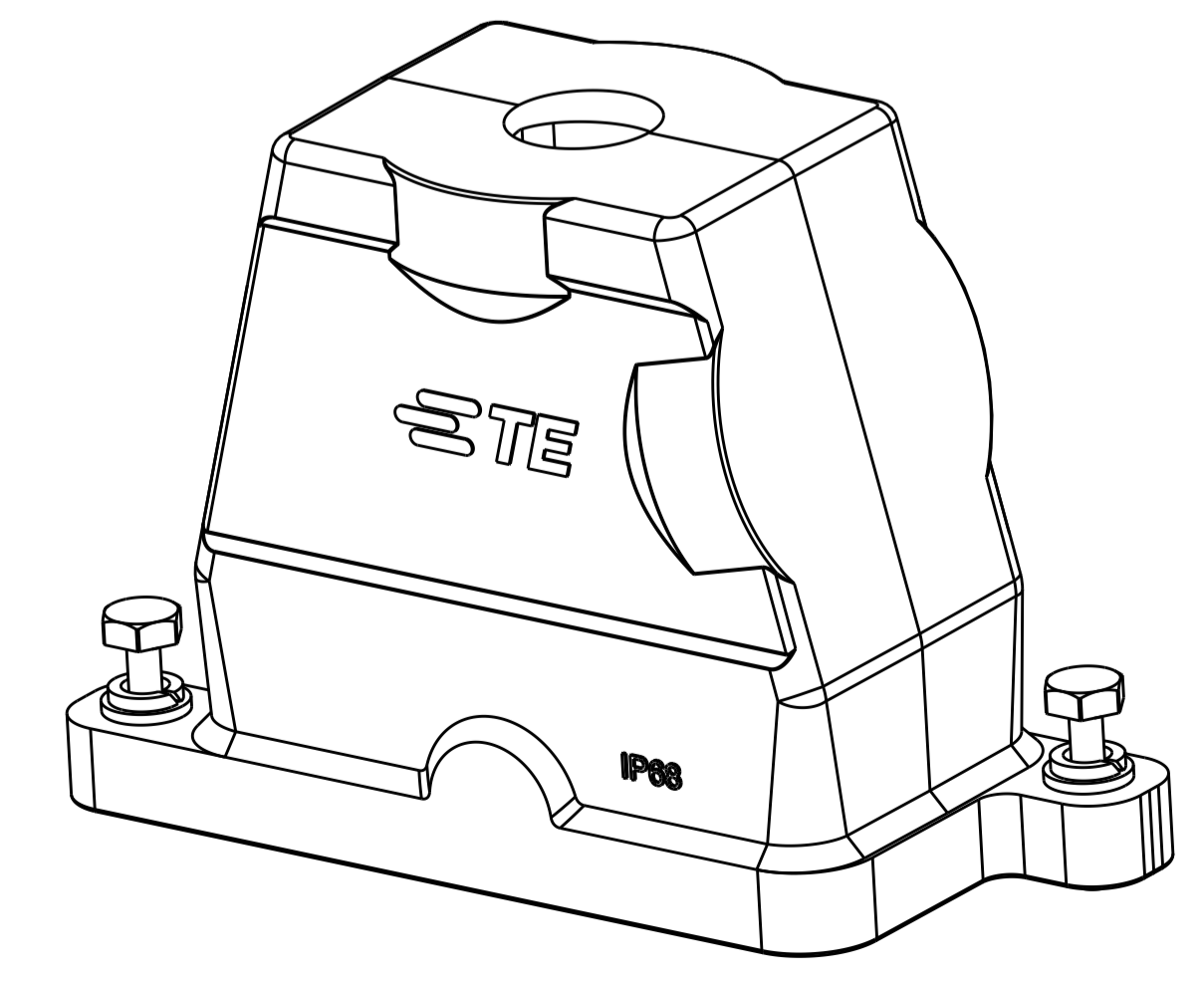
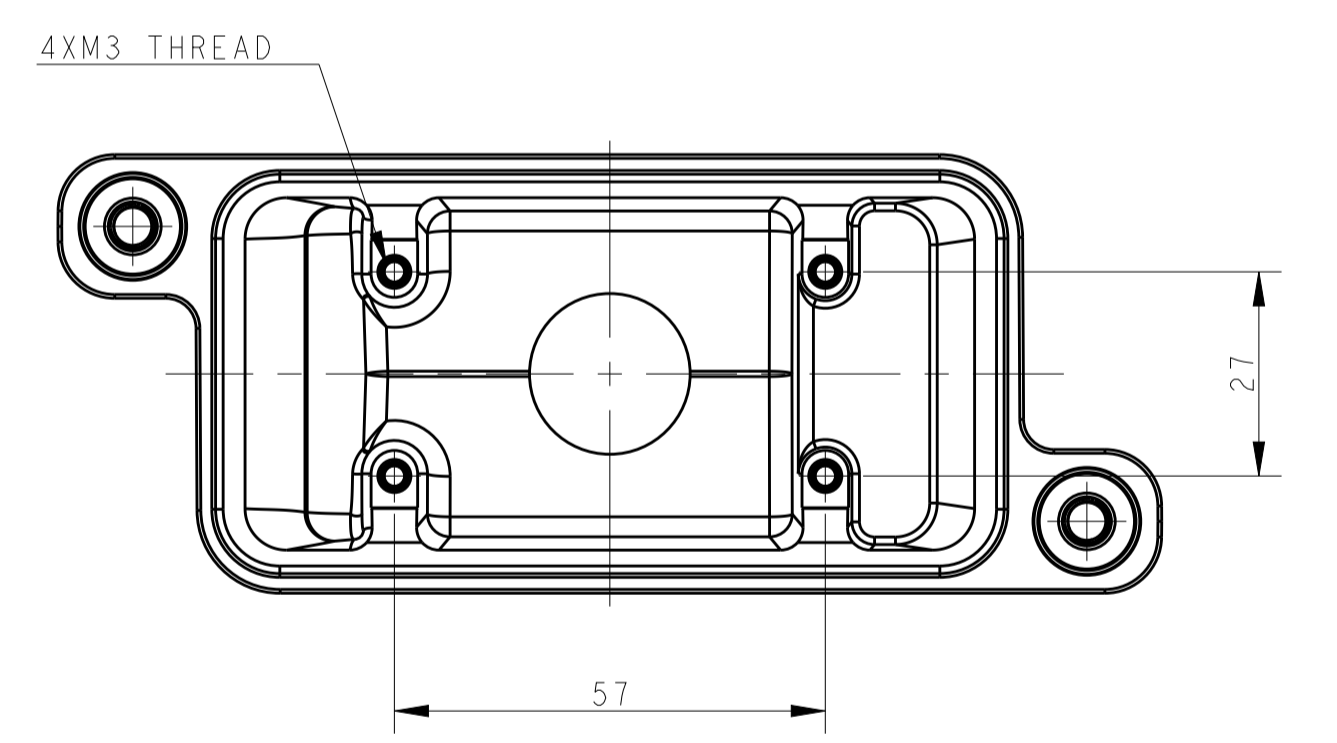
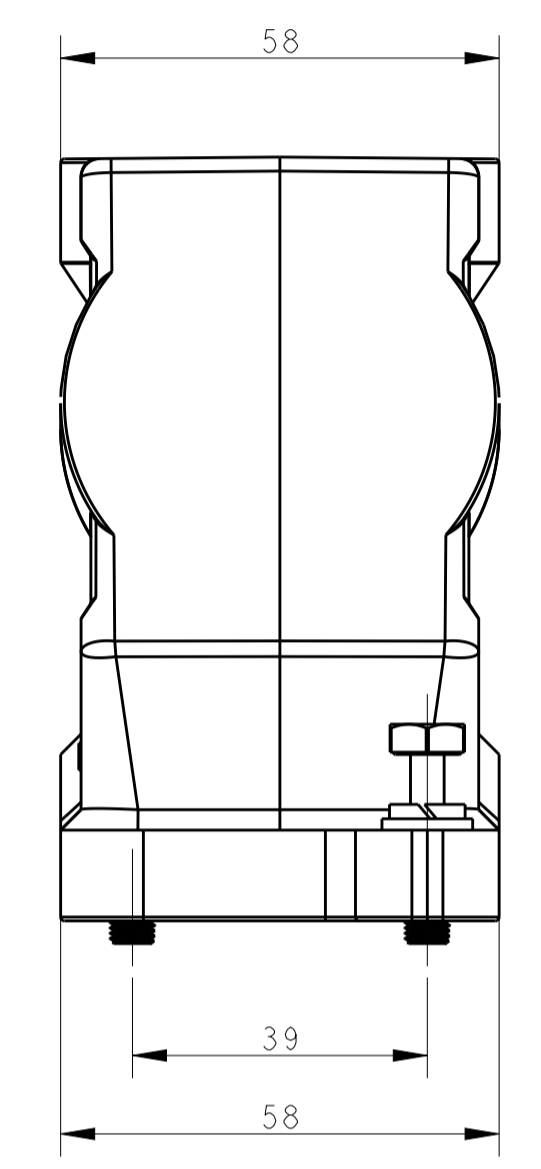
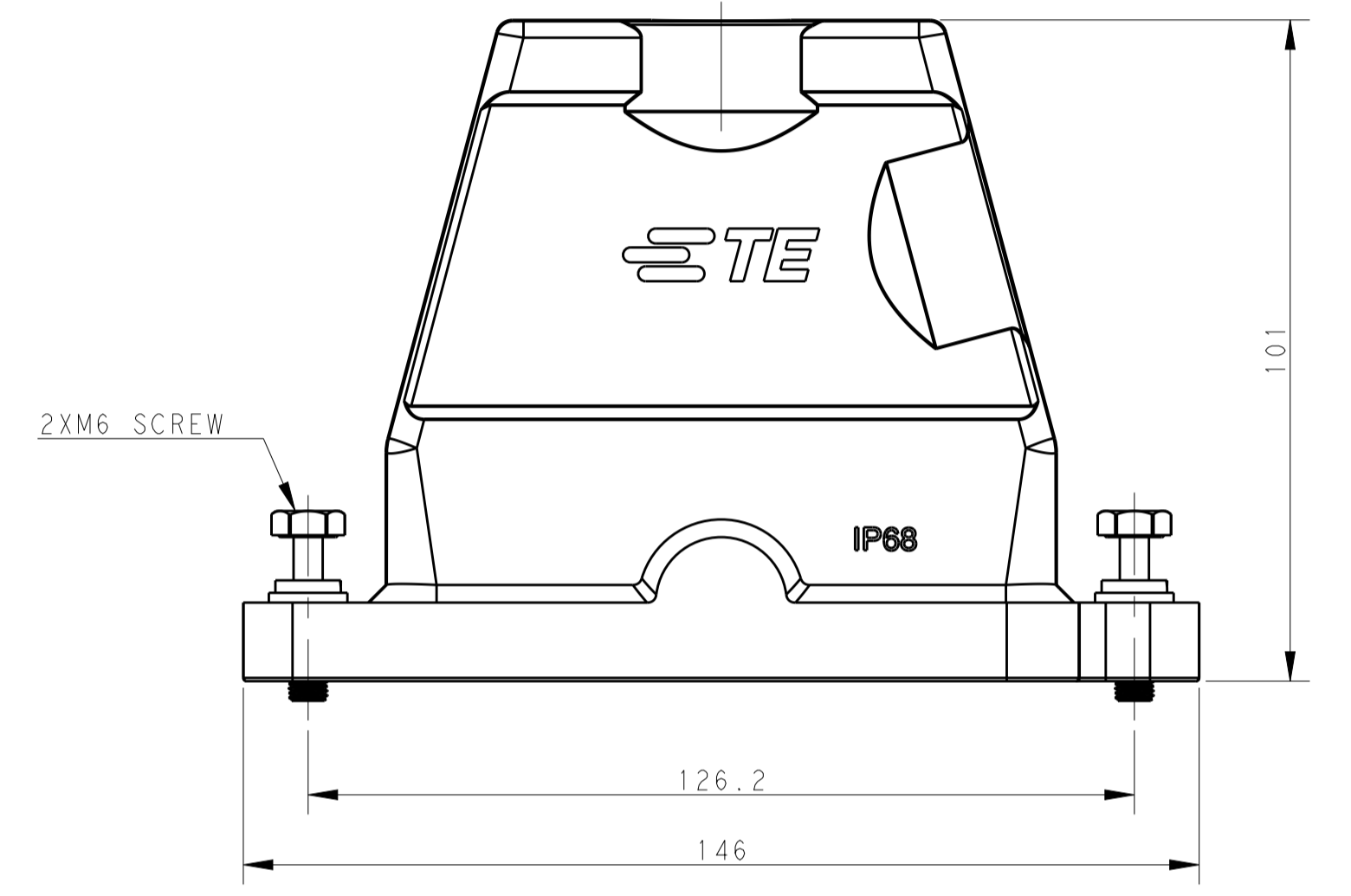
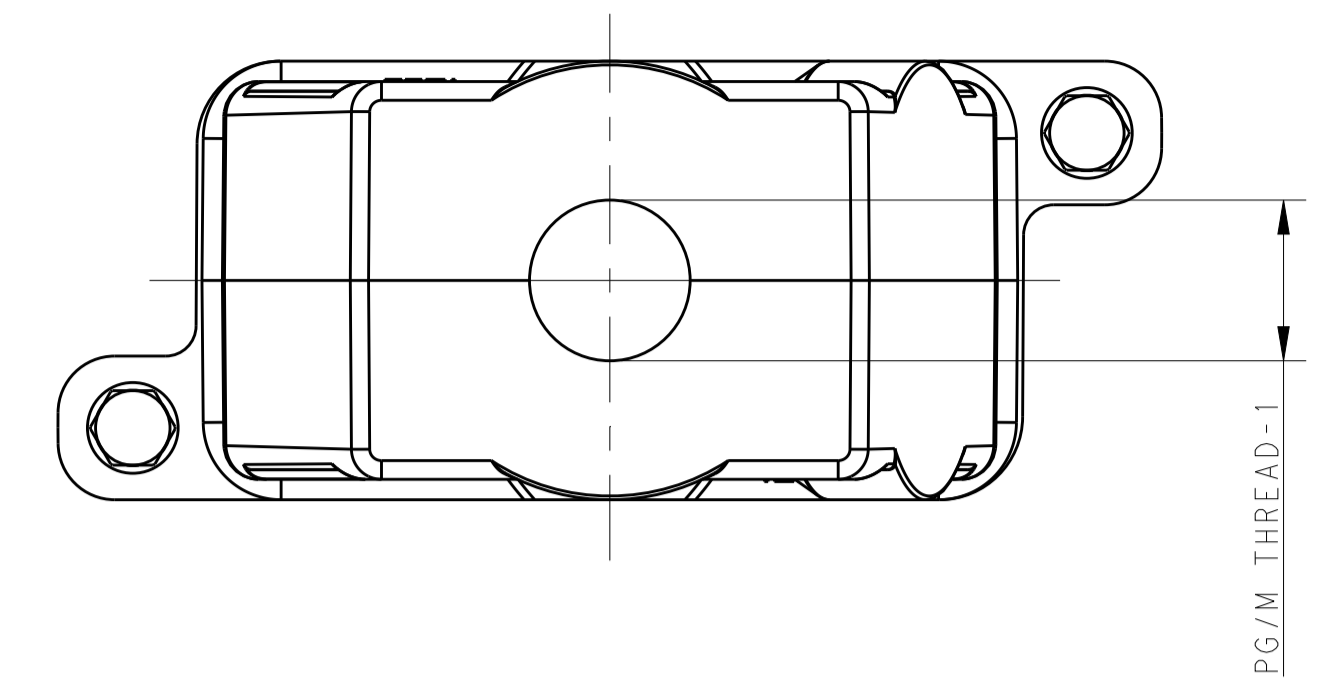


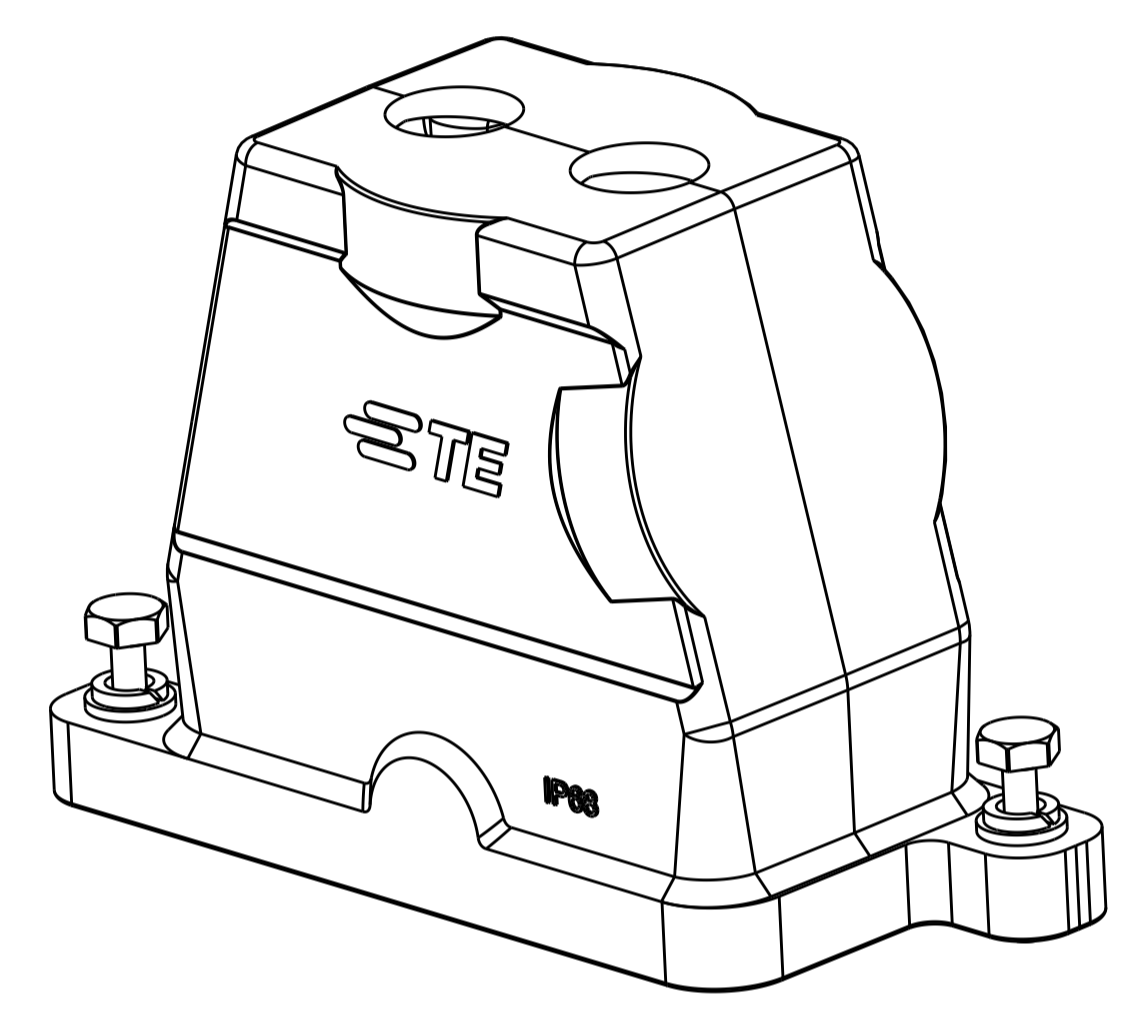
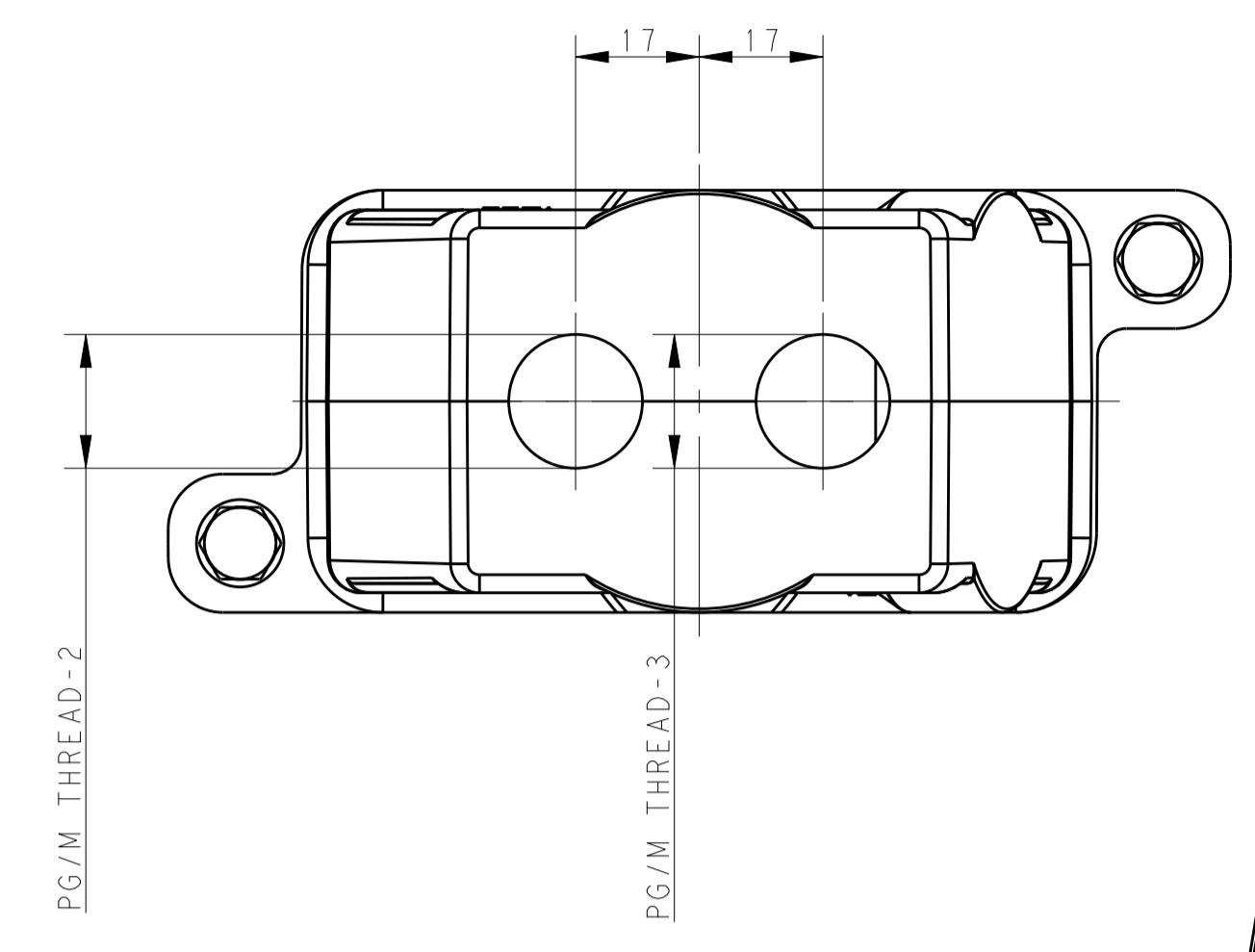
TYPE 1

Single PG/M thread



TYPE 2

Two PG/M threads



All dimension is same as TYPE 1, except those defined in this TYPE

REVISIONS				
P.	LTN.	DESCRIPTION	DATE	APVD.
A		INITIAL RELEASE	08JUN2015	GY CW

NOTES:
 1. TECHNICAL CHARACTERISTICS:
 HOOD MATERIAL: DIE CAST ALUMINIUM ALLOY
 SURFACE TREATMENT: SEE TABLE
 OPERATION TEMPERATURE: -40°C~+125°C
 DEGREE OF PROTECTION: IP68 (MATED)

注释:
 1. 技术参数:
 壳体材料: 铝合金
 表面处理: 见表格
 工作温度: -40°C~+125°C
 防护等级: IP68 (配合)

PART NUMBER	SURFACE TREATMENT	DESCRIPTION	PG/M THREAD-3	PG/M THREAD-2	PG/M THREAD-1	TYPE
T1920102220-000	POWDER COATED GRAY	H10BPR-TGH-2M20	M20	M20	-	TYPE 2
T1920100225-000	POWDER COATED BLACK	H10BPR-TGH-2M25	M25	M25	-	
T1920100220-000	POWDER COATED BLACK	H10BPR-TGH-2M20	M20	M20	-	
T1920102132-000	POWDER COATED GRAY	H10BPR-TGH-M32	-	-	M32	
T1920102129-000	POWDER COATED GRAY	H10BPR-TGH-PG29	-	-	PG29	
T1920102125-000	POWDER COATED GRAY	H10BPR-TGH-M25	-	-	M25	
T1920102121-000	POWDER COATED GRAY	H10BPR-TGH-PG21	-	-	PG21	
T1920102120-000	POWDER COATED GRAY	H10BPR-TGH-M20	-	-	M20	
T1920102116-000	POWDER COATED GRAY	H10BPR-TGH-PG16	-	-	PG16	
T1920101132-000	POWDER COATED SILVER WHITE	H10BPR-TGH-M32	-	-	M32	
T1920101129-000	POWDER COATED SILVER WHITE	H10BPR-TGH-PG29	-	-	PG29	
T1920101125-000	POWDER COATED SILVER WHITE	H10BPR-TGH-M25	-	-	M25	
T1920101121-000	POWDER COATED SILVER WHITE	H10BPR-TGH-PG21	-	-	PG21	
T1920101120-000	POWDER COATED SILVER WHITE	H10BPR-TGH-M20	-	-	M20	
T1920101116-000	POWDER COATED SILVER WHITE	H10BPR-TGH-PG16	-	-	PG16	
T1920100140-000	POWDER COATED BLACK	H10BPR-TGH-M40	-	-	M40	
T1920100132-000	POWDER COATED BLACK	H10BPR-TGH-M32	-	-	M32	
T1920100129-000	POWDER COATED BLACK	H10BPR-TGH-PG29	-	-	PG29	
T1920100125-000	POWDER COATED BLACK	H10BPR-TGH-M25	-	-	M25	
T1920100121-000	POWDER COATED BLACK	H10BPR-TGH-PG21	-	-	PG21	
T1920100120-000	POWDER COATED BLACK	H10BPR-TGH-M20	-	-	M20	
T1920100116-000	POWDER COATED BLACK	H10BPR-TGH-PG16	-	-	PG16	

THIS DRAWING IS A CONTROLLED DOCUMENT.

OWNER: Gino Yao 08JUN2015
 CHK: Chris Wong 08JUN2015
 APVD: Yiqiang Yu 08JUN2015

TE Connectivity

NAME: H10BPR-TGH-PG/M

PRODUCT SPEC: 108-137014
 APPLICATION SPEC: 114-137014

SIZE: A1
 SCALE: 1:1
 SHEET: 1 OF 1
 REV: A

MATERIAL: -
 FINISH: -

WEIGHT: -
 Customer Drawing

Mouser Electronics

Authorized Distributor

Click to View Pricing, Inventory, Delivery & Lifecycle Information:

[TE Connectivity:](#)

[T1920100116-000](#) [T1920100120-000](#) [T1920100121-000](#) [T1920100125-000](#) [T1920100129-000](#) [T1920100225-000](#)
[T1920102125-000](#) [T1920102129-000](#) [T1920102132-000](#) [T1920102220-000](#) [T1920102116-000](#) [T1920100132-000](#)
[T1920100140-000](#) [T1920100220-000](#) [T1920102120-000](#) [T1920102121-000](#) [T1920101116-000](#) [T1920101120-000](#)
[T1920101121-000](#) [T1920101125-000](#) [T1920101129-000](#) [T1920101132-000](#)