

1609989-2 Product Details



1609989-2
(16BCF10)

TE Internal Number: 1609989-2

 Active

EMI/RFI Filters and Accessories

 Always EU RoHS/ELV Compliant (Statement of Compliance)

Product Highlights:

- Filter - EMI/RFI
- Filter Type = Power Line
- BCF (7-180 Amp) Series
- 3 Phase General Purpose Application
- Mount Style = Flanged

Documentation & Additional Information

Product Drawings:

- [BCF10 Series Customer Drawing](#) (PDF, English)

Catalog Pages/Data Sheets:

- [1-1654250-1_CORCOM_EMI_RFI_QRG](#) (PDF, English)
- [1654001_Corcom_Product_Guide_BCF_Series](#) (PDF, English)

Product Specifications:

- None Available

Application Specifications:

- None Available

Instruction Sheets:

- None Available

CAD Files:

- None Available

Additional Information:

- [Product Line Information](#)

Related Products:

- [Tooling](#)

Product Features (Please use the Product Drawing for all design activity)

Product Type Features:

- [Product Type](#) = Filter - EMI/RFI
- [Filter Type](#) = Power Line
- Series = BCF (7-180 Amp)
- [Filtered](#) = Yes

Electrical Characteristics:

- [Current Rating \(A\)](#) = 16
- [Voltage ≤ \(VAC\)](#) = 480
- Leakage Current (Line-to-Ground) Max. @ 250 VAC 50 Hz (mA) = 30

Termination Features:

- [Terminal Input - Output Combination](#) = Terminal Block - Terminal Block

Body Features:

- [Mount Style](#) = Flanged

Industry Standards:

- [RoHS/ELV Compliance](#) = RoHS compliant, ELV compliant
- [Lead Free Solder Processes](#) = Not relevant for lead free process
- RoHS/ELV Compliance History = Always was RoHS compliant
- Approved Standards = UL Recognized, VDE Approved

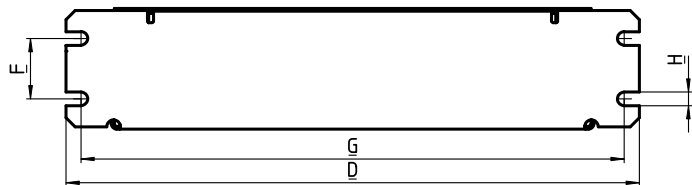
Operation/Application:

- [Application](#) = 3 Phase General Purpose

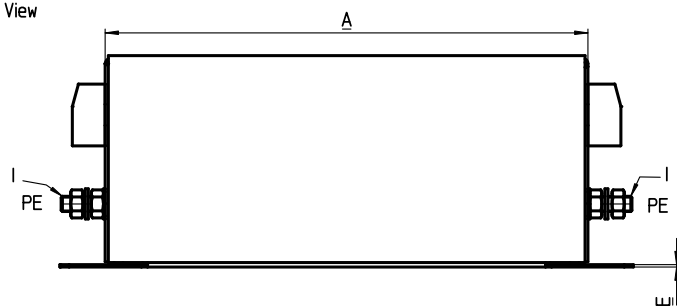
Other:

- Brand = Corcom
- Comment = 3-phase applications

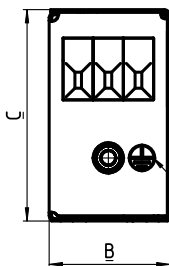
Bottom View



Side View

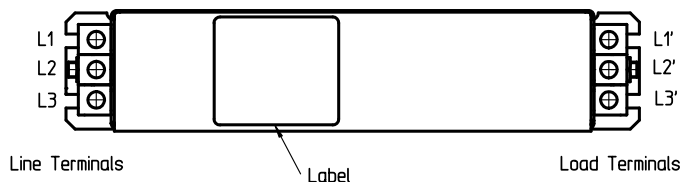


Front View



Coined Earthing Symbol on both sides

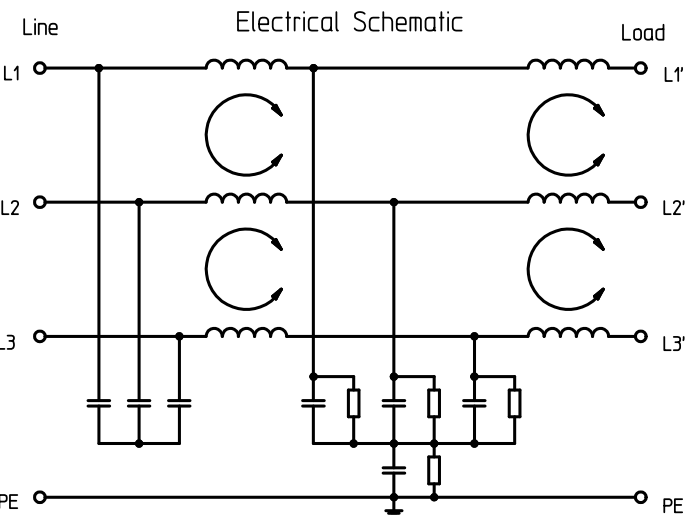
Top View



Dimensions

	7BCF10	16BCF10	30BCF10	42BCF10	55BCF10	75BCF10	100BCF10	130BCF10	180BCF10	Tol.	
A	160	220	240	280	220	240		350		±1	
B	40	45	50		85	80	90 ±0,8		120 ±0,8	±0,6	
C	70 ±0,6		85		90	135 ±1	150 ±1		170 ±1	±0,8	
D	190	250	270	310	250	270		380		±1	
E	0,8				1						±0,1
F	20	25	30		60		65		102	±0,3	
G	180	235	255	295	235	255		365		±0,5	
H	4,5	5,4			6,5						±0,2
I	M5			M6			M10			---	

all dimensions in mm



Specifications

	7BCF10	16BCF10	30BCF10	42BCF10	55BCF10	75BCF10	100BCF10	130BCF10	180BCF10
Voltage	3phase 480/277 VAC								
Frequency	50Hz / 60Hz								
Rated current @50°C	7A	16A	30A	42A	55A	75A	100A	130A	180A
max leakage current	33mA @400VAC/50Hz								
Operating temperatur	-10°C to +55°C (derating on request)								
Storage temperature	-25°C to +100°C								
Wire range solid	0,2-6mm ²	0,5-16mm ²		0,5-25mm ²	6-35mm ²	16-50mm ²		25-95mm ²	
Wire range flex	0,2-4mm ²	0,5-10mm ²		0,5-16mm ²	10-25mm ²	16-50mm ²		35-95mm ²	
max torque terminals	0,8Nm	1,8Nm		2,3Nm	4,5Nm	8Nm		20Nm	
max torque PE	3Nm		8Nm			20Nm			
Housing	CRS zinc plated								
Protection Category	IP20								
Approvals	UL and VDE								

All materials and finishes comply with RoHS directive.

High voltage test

phase-phase 2100VDC for 2sec.
phase-earth 2650VDC for 2sec.

Type	Corcom PN	TYCO PN
7BCF10	F8232	0-160989-1
16BCF10	F8233	0-160989-2
30BCF10	F8234	0-160989-3
42BCF10	F8235	0-160989-4
55BCF10	F8236	0-160989-5
75BCF10	F8237	0-160989-6
100BCF10	F8238	0-160989-7
130BCF10	F8239	0-160989-8
180BCF10	F8240	0-160989-9

PART NO:	PART NAME:	MATERIAL/SURFACE:	OPTIONAL DESCRIPTION
PART LIST			
TOLERANCES UNLESS OTHERWISE SPECIFIED ACCORDING TO ISO 8015 and ISO 2768-t			
DIMENSIONS: mm			
test dimen. / Prüfmaß: () ; auxiliary dimen. / Hilfsmaß: () ; theor. dimen. / theor. Maß: () ;			
production control dimen. / Fertigungsmaß: () ; dimen. for measure. technology / messtechn. rel. Maß: () ;			
DEPARTMENT	R & D R&F		
DRAWER	09.07.2008	Weiden	
CHECKED			
APPROVED		Mader	
ECR-NO:	DATE	NAME	INFO
3,1	9-7-08	WEIH	New Tyco Logo
SCALE:	NAME:	DWG NO:	
1:1		1609989	
REPLACEMENT FOR:	DWG LOC NO: F	OPTIONAL NO:	
		CRF8232-CRF8240	
SHEET: 1 OF 1		REVISION	
		32	