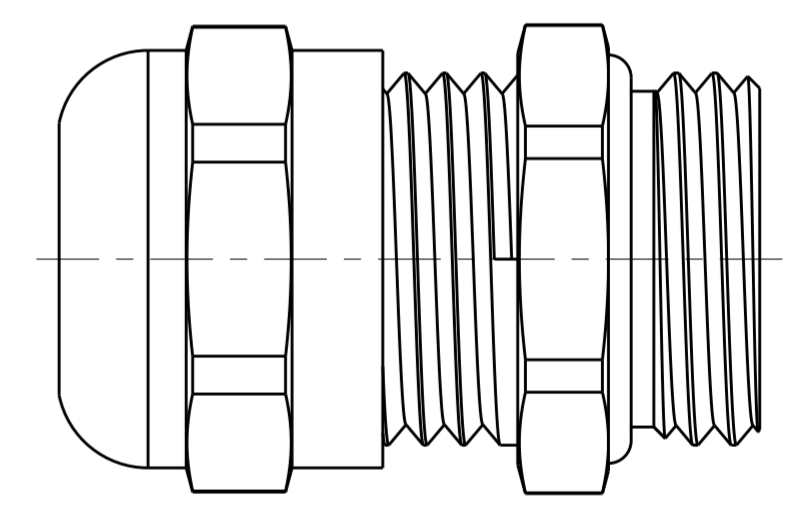
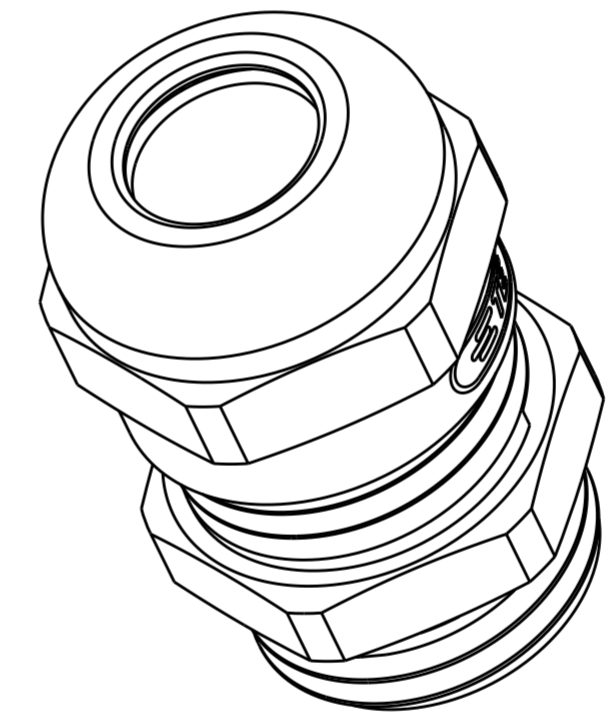
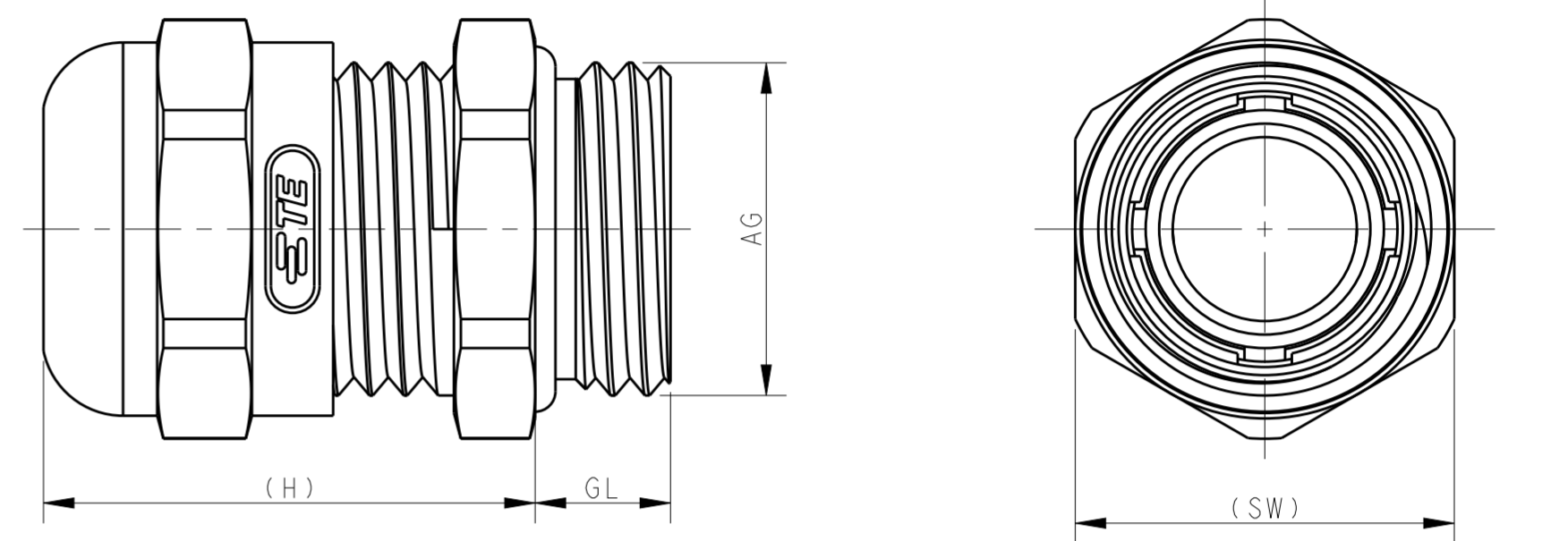


THIS DRAWING IS UNPUBLISHED. RELEASED FOR PUBLICATION 20
 © COPYRIGHT 20 BY - ALL RIGHTS RESERVED.

REVISIONS					
P	LTR	DESCRIPTION	DATE	DWN	APVD
A2		ECR-16-006567	05MAY2016	GY	CW
B		ECR-17-007002	25JUN2017	GY	CW
B1		ECR-17-012607	29AUG2017	RL	CW
B2		ECR-18-010224	30JUN2018	CH	CW

AG	WIRE RANG 夹线范围 (∅)	∅	GL (Lengthen加长)	H	SW	DESCRIPTION 产品描述	PART NUMBER WITH TE LOGO 成品料号 (带TE Logo)	PART NUMBER WITHOUT LOGO 成品料号 (不带TE Logo)
M32x1.5	18-25	25.4		12	31	40 DLX-32-LM METAL CABLE GLAND M32 (18-25), THREAD LENGTHEN 金属加长螺栓接头 M32 (18-25)	T3609320202-000	T3609320202-001
M32x1.5	13-20	20.4		12	31	40 DLX-32-LMT METAL CABLE GLAND M32 (13-20), THREAD LENGTHEN 金属加长螺栓接头 M32 (13-20)	T3609320212-000	T3609320212-001
M63x1.5	37-44		10	41	70	DLX-63-M METAL CABLE GLAND M63(37-44) 金属接头 M63 (37-44)		T3609630102-000
M63x1.5	29-35	36	10.5	40	67	DLX-63-MT METAL CABLE GLAND M63(29-35) 金属接头 M63 (29-35)	T3609630112-000	T3609630112-001
M50x1.5	32-38	39	9	37	57	DLX-50-M METAL CABLE GLAND M50(32-38) 金属接头 M50 (32-38)	T3609500102-000	T3609500102-001
M50x1.5	29-36	36.5	9	37	57	DLX-50-MT METAL CABLE GLAND M50(29-36) 金属接头 M50 (29-36)	T3609500122-000	T3609500122-001
M50x1.5	22-32		9	38.5	55	DLX-50-MT METAL CABLE GLAND M50(22-32) 金属接头 M50 (22-32)		T3609500112-000
M40x1.5	22-32	33	8	37	50	DLX-40-M METAL CABLE GLAND M40(22-32) 金属接头 M40 (22-32)	T3609400102-000	T3609400102-001
M40x1.5	20-26	26.5	8	37	50	DLX-40-MT METAL CABLE GLAND M40(20-26) 金属接头 M40 (20-26)	T3609400112-000	T3609400112-001
M32x1.5	18-25	25.4	8	31	40	DLX-32-M METAL CABLE GLAND M32(18-25) 金属接头 M32 (18-25)	T3609320102-000	T3609320102-001
M32x1.5	13-20	20.4	8	31	40	DLX-32-MT METAL CABLE GLAND M32(13-20) 金属接头 M32 (13-20)	T3609320112-000	T3609320112-001
M25x1.5	13-18	18.4		12	26	30 DLX-25-LM METAL CABLE GLAND M25 (13-18), THREAD LENGTHEN 金属加长螺栓接头 M25 (13-18)	T3609250202-000	T3609250202-001
M25x1.5	13-18	18.4	7	26	30	DLX-25-M METAL CABLE GLAND M25(13-18) 金属接头 M25 (13-18)	T3609250102-000	T3609250102-001
M25x1.5	9-16	16.4		12	26	30 DLX-25-LMT METAL CABLE GLAND M25 (9-16), THREAD LENGTHEN 金属加长螺栓接头 M25 (9-16)	T3609250212-000	T3609250212-001
M25x1.5	9-16	16.4	7	26	30	DLX-25-MT METAL CABLE GLAND M25(9-16) 金属接头 M25 (9-16)	T3609250112-000	T3609250112-001
M20x1.5	10-14	13.8	6	24	24	DLX-20-MB METAL CABLE GLAND M20(10-14) 金属接头 M20 (10-14)	T3609200122-000	T3609200122-001
M20x1.5	6-12	12.2		10	23	22 DLX-20-LM METAL CABLE GLAND M20 (6-12), THREAD LENGTHEN 金属加长螺栓接头 M20 (6-12)	T3609200202-000	T3609200202-001
M20x1.5	6-12	12.2	6	23	22	DLX-20-M METAL CABLE GLAND M20(6-12) 金属接头 M20 (6-12)	T3609200102-000	T3609200102-001
M20x1.5	5-9	9.2		10	23	22 DLX-20-LMT METAL CABLE GLAND M20 (5-9), THREAD LENGTHEN 金属加长螺栓接头 M20 (5-9)	T3609200222-000	T3609200222-001
M20x1.5	5-9	9.2	6	23	22	DLX-20-MT METAL CABLE GLAND M20(5-9) 金属接头 M20 (5-9)	T3609200112-000	T3609200112-001
M16x1.5	5-10	10.2		10	22	20 DLX-16-LMB METAL CABLE GLAND M16 (5-10), THREAD LENGTHEN 金属加长螺栓接头 M16 (5-10)	T3609160222-000	T3609160222-001
M16x1.5	5-10	10.2	6	22	20	DLX-16-MB METAL CABLE GLAND M16(5-10) 金属接头 M16 (5-10)	T3609160122-000	T3609160122-001
M16x1.5	4-8	8.5		10	21	19 DLX-16-LM METAL CABLE GLAND M16 (4-8), THREAD LENGTHEN 金属加长螺栓接头 M16 (4-8)	T3609160202-000	T3609160202-001
M16x1.5	4-8	8.5	6	21	19	DLX-16-M METAL CABLE GLAND M16(4-8) 金属接头 M16 (4-8)	T3609160102-000	T3609160102-001
M16x1.5	2-6	6.5	6	21	19	DLX-16-MT METAL CABLE GLAND M16(2-6) 金属接头 M16 (2-6)	T3609160112-000	T3609160112-001
M12x1.5	3-6.5	6.8		8	25	14 DLX-12-LM METAL CABLE GLAND M12 (3-6.5), LENGTHEN 金属加长接头 M12 (3-6.5)	T3609120202-000	T3609120202-001
M12x1.5	3-6.5	6.8	5	25	14	DLX-12-M METAL CABLE GLAND M12(3-6.5) 金属接头 M12 (3-6.5)	T3609120102-000	T3609120102-001
M12x1.5	2-5	5.3	5	25	14	DLX-12-MT METAL CABLE GLAND M12(2-5) 金属接头 M12 (2-5)	T3609120112-000	T3609120112-001
PG48	37-44	44	10	38	64	DLX-48-MS METAL CABLE GLAND PG48(37-44) 金属接头 PG48 (37-44)	T3609480101-000	T3609480101-001
PG48	29-35	36	10	38	64	DLX-48-MTS METAL CABLE GLAND PG48(29-35) 金属接头 PG48 (29-35)	T3609480111-000	T3609480111-001
PG42	30-38		9	40	58	DLX-42-MS METAL CABLE GLAND PG42(30-38) 金属接头 PG42 (30-38)		T3609420101-000
PG42	25-31	31.5	9	37	57	DLX-42-MTS METAL CABLE GLAND PG42(25-31) 金属接头 PG42 (25-31)	T3609420111-000	T3609420111-001
PG36	22-32	33		15	39	50 DLX-36-LMS METAL CABLE GLAND PG36 (22-32), LENGTHEN 金属加长接头 PG36 (22-32)	T3609360201-000	T3609360201-001
PG36	22-32	33	8	38	50	DLX-36-MS METAL CABLE GLAND PG36(22-32) 金属接头 PG36 (22-32)	T3609360101-000	T3609360101-001
PG36	20-26	26.5	8	38	50	DLX-36-MTS METAL CABLE GLAND PG36(20-26) 金属接头 PG36 (20-26)	T3609360111-000	T3609360111-001
PG29	18-25	25.4		15	33	40 DLX-29-LMS METAL CABLE GLAND PG29 (18-25), LENGTHEN 金属加长接头 PG29 (18-25)	T3609290201-000	T3609290201-001
PG29	18-25	25.4	8	30	40	DLX-29-MS METAL CABLE GLAND PG29(18-25) 金属接头 PG29 (18-25)	T3609290101-000	T3609290101-001
PG29	13-20	20.4	8	30	40	DLX-29-MTS METAL CABLE GLAND PG29(13-20) 金属接头 PG29 (13-20)	T3609290111-000	T3609290111-001
PG21	13-18	18.4		12	25	30 DLX-21-LMS METAL CABLE GLAND PG21 (13-18), LENGTHEN 金属加长接头 PG21 (13-18)	T3609210201-000	T3609210201-001
PG21	13-18	18.4	7	25	30	DLX-21-MS METAL CABLE GLAND PG21(13-18) 金属接头 PG21 (13-18)	T3609210101-000	T3609210101-001
PG21	9-16	16.4	7	25	30	DLX-21-MTS METAL CABLE GLAND PG21(9-16) 金属接头 PG21 (9-16)	T3609210111-000	T3609210111-001
PG16	10-14	13.8	6.5	23.5	24	DLX-16-MS METAL CABLE GLAND PG16(10-14) 金属接头 PG16 (10-14)	T3609160101-000	T3609160101-001
PG16	7-12	12.2	6.5	23.5	24	DLX-16-MTS METAL CABLE GLAND PG16(7-12) 金属接头 PG16 (7-12)	T3609160111-000	T3609160111-001
PG13.5	6-12	12.2	6.5	23.5	22	DLX-13.5-MS METAL CABLE GLAND PG13.5(6-12) 金属接头 PG13.5 (6-12)	T3609130101-000	T3609130101-001
PG13.5	5-9	9.2	6.5	23.5	22	DLX-13.5-MTS METAL CABLE GLAND PG13.5(5-9) 金属接头 PG13.5 (5-9)	T3609130111-000	T3609130111-001
PG11	5-10	10.2	6	24	21	DLX-11-MS METAL CABLE GLAND PG11(5-10) 金属接头 PG11 (5-10)	T3609110101-000	T3609110101-001
PG11	3-7	7.2	6	24	21	DLX-11-MTS METAL CABLE GLAND PG11(3-7) 金属接头 PG11 (3-7)	T3609110111-000	T3609110111-001
PG11			6	24	21	DLX-11-MSN METAL CABLE GLAND, WITHOUT INNER SEALING 金属接头 PG11, 无内衬圈	T3609110121-000	
PG9	4-8	8.5	6	24	17	DLX-9-MS METAL CABLE GLAND PG9(4-8) 金属接头 PG9 (4-8)	T3609090101-000	T3609090101-001
PG9	2-6	6.5	6	24	17	DLX-9-MTS METAL CABLE GLAND PG9(2-6) 金属接头 PG9 (2-6)	T3609090111-000	T3609090111-001
PG7	3-6.5	8.5		6	25	17 DLX-7-MES METAL CABLE GLAND PG7 (3-6.5), LARGE 金属接头 PG7 (3-6.5), 加大型	T3609070121-000	T3609070121-001
PG7	3-6.5	8.5	5	25	14	DLX-7-MS METAL CABLE GLAND PG7(3-6.5) 金属接头 PG7 (3-6.5)	T3609070101-000	T3609070101-001
PG7	2-5	5.3	5	25	14	DLX-7-MTS METAL CABLE GLAND PG7(2-5) 金属接头 PG7 (2-5)	T3609070111-000	T3609070111-001



PART NUMBER SHOWN
WITH TE LOGO
成品料号 (带TE LOGO)

PART NUMBER SHOWN
WITHOUT LOGO
成品料号 (不带TE LOGO)
EXCEPT THE TE LOGO, ALL DIMENSIONS ARE SAME AS
CORRESPONDING PART NUMBER WITH TE LOGO
除TE LOGO差异外, 不带TE LOGO与带TE LOGO对应型号之间, 所有尺寸均相同。

NOTES / 技术指标:

- 1. TECHNICAL CHARACTERISTICS / 技术参数:
 - SHELL MATERIAL / 主体材料: NICKEL PLATED BRASS / 铜镍镍
 - SEAL MATERIAL / 密封材料: ELASTIC RUBBER / 弹性橡胶
 - PINCH RING MATERIAL / 夹线材料: PA
 - OPERATION TEMPERATURE / 工作温度: -40°C - +100°C
 - PROTECTION DEGREE / 防护等级: IP68
 - (EXCEPT T3609110121-000)
 - (料号T3609110121-000除外)

WIRE RANGE / 夹线范围: SEE TABLE / 见表格

THIS DRAWING IS A CONTROLLED DOCUMENT.		DWN GINO YAO 05JUN2015	TE Connectivity	
		CHK CHRIS WANG 05JUN2015		
		APVD XIANG XU 05JUN2015	NAME METAL CABLE GLAND	
DIMENSIONS: mm		TOLERANCES UNLESS OTHERWISE SPECIFIED:		PRODUCT SPEC
		0 PLC ± 1 PLC ± 2 PLC ± 3 PLC ± 4 PLC ± ANGLES ±		APPLICATION SPEC
MATERIAL		FINISH		WEIGHT
				SIZE A2
				CAGE CODE
				DRAWING NO. G-T360XXXXXXX000
				RESTRICTED TO
				SCALE 5:1
				SHEET 1 OF 1
				REV B2

Mouser Electronics

Authorized Distributor

Click to View Pricing, Inventory, Delivery & Lifecycle Information:

TE Connectivity:

<u>T3609360111-000</u>	<u>T3609160102-000</u>	<u>T3609400112-000</u>	<u>T3609160111-000</u>	<u>T3609200112-000</u>	<u>T3609120112-000</u>
<u>T3609200122-000</u>	<u>T3609160132-000</u>	<u>T3609250102-000</u>	<u>T3609420111-000</u>	<u>T3609090101-000</u>	<u>T3609090111-000</u>
<u>T3609360101-000</u>	<u>T3609200132-000</u>	<u>T3609110111-000</u>	<u>T3609250103-000</u>	<u>T3609160101-000</u>	<u>T3609250112-000</u>
<u>T3609130111-000</u>	<u>T3609500102-000</u>	<u>T3609160322-000</u>	<u>T3609210101-000</u>	<u>T3609400102-000</u>	<u>T3609110101-000</u>
<u>T3609290101-000</u>	<u>T3609320102-000</u>	<u>T3609320112-000</u>	<u>T3609130101-000</u>	<u>T3609160122-000</u>	<u>T3609200102-000</u>
<u>T3609120102-000</u>	<u>T3609420101-000</u>	<u>T3609210111-000</u>	<u>T3609070101-000</u>	<u>T3609070111-000</u>	<u>T3609290111-000</u>