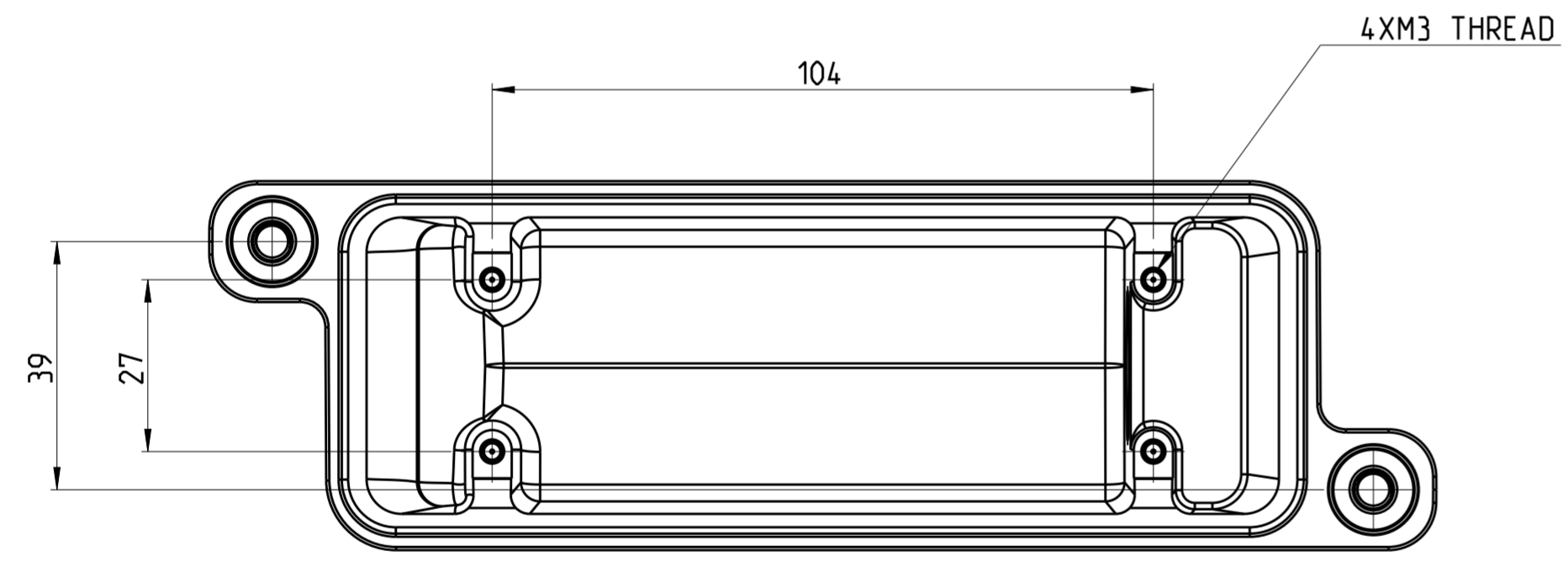
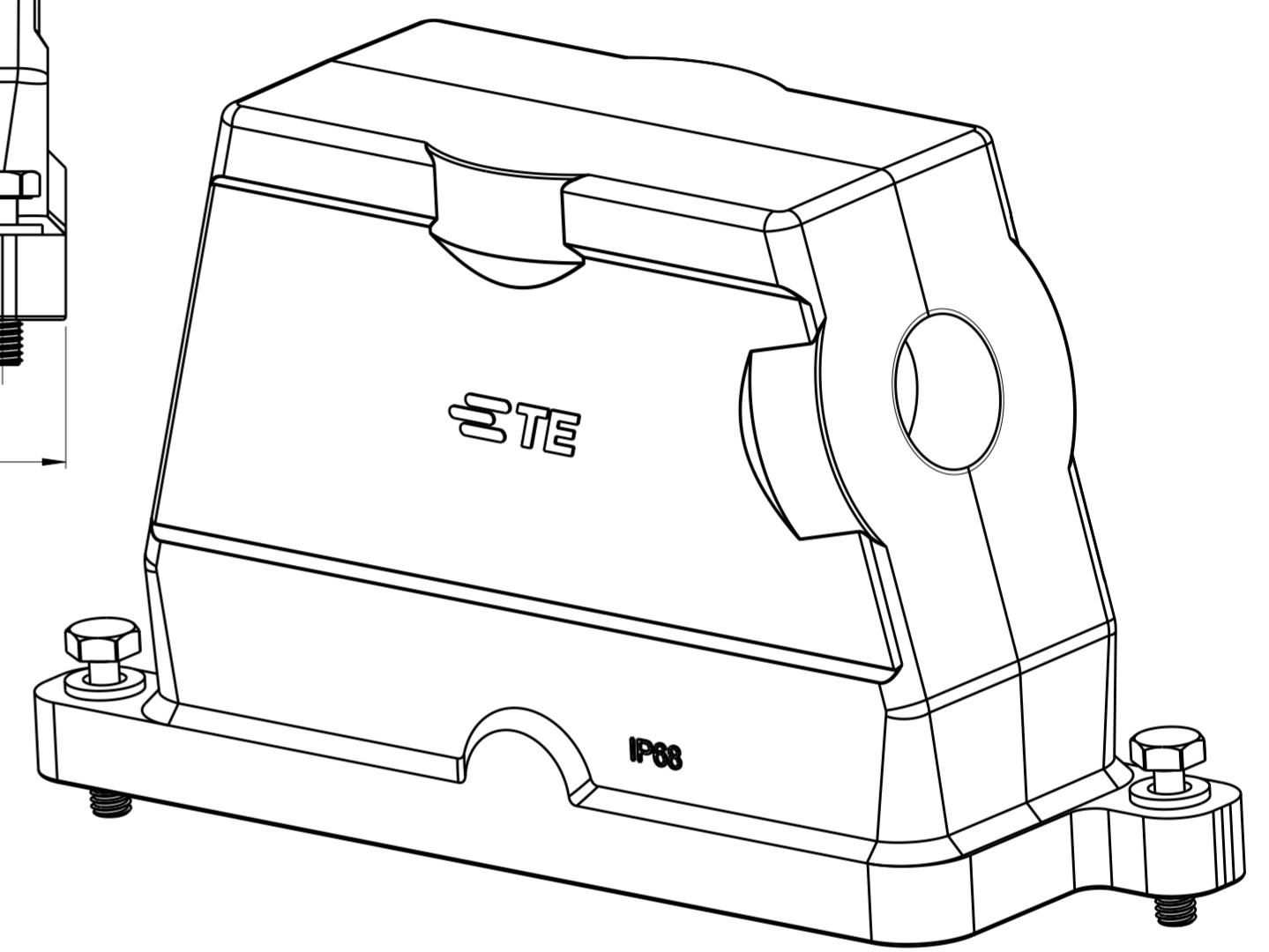
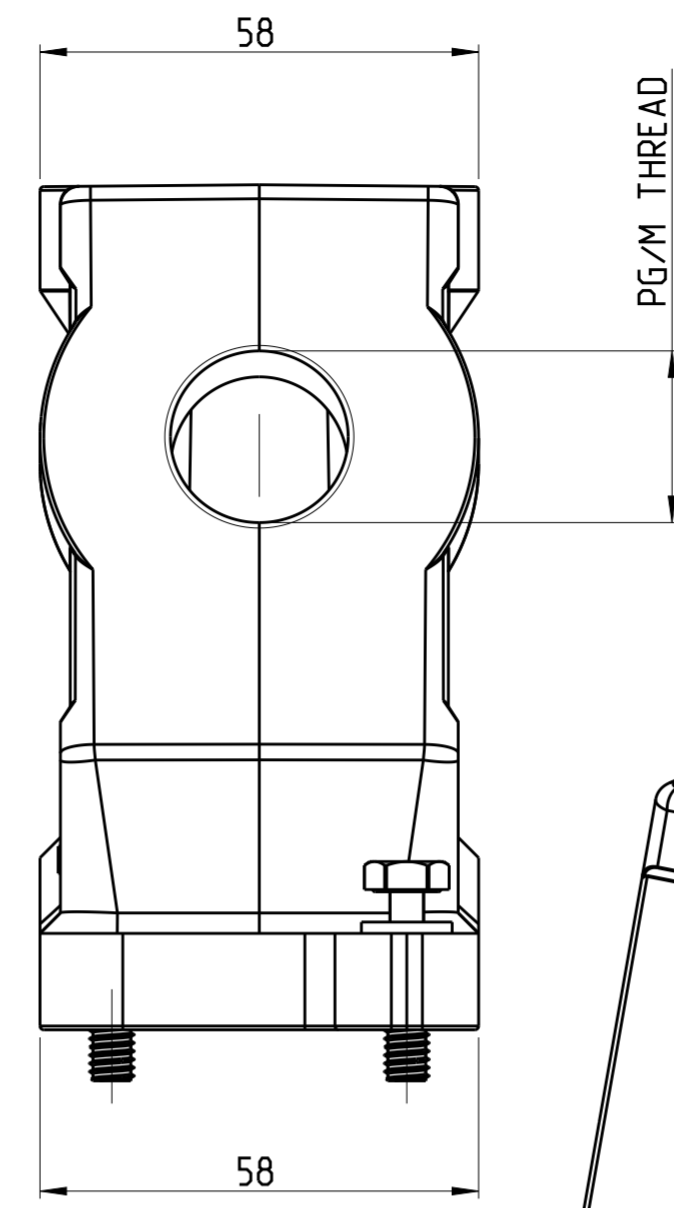
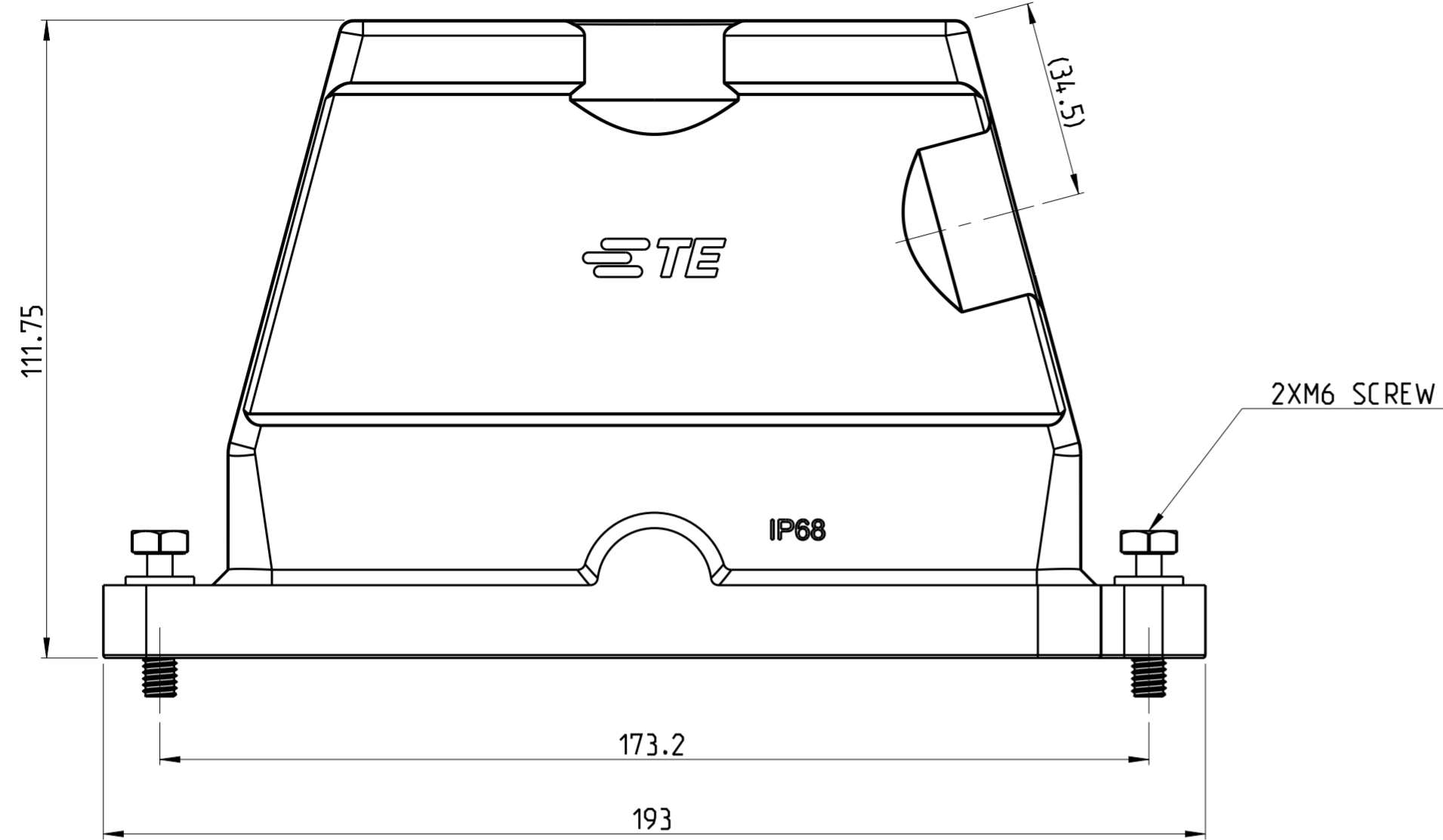


THIS DRAWING IS UNPUBLISHED. RELEASED FOR PUBLICATION 20  
 © COPYRIGHT 20 BY - ALL RIGHTS RESERVED.

| REVISIONS |     |             |           |       |
|-----------|-----|-------------|-----------|-------|
| P         | LTR | DESCRIPTION | DATE      | APVD  |
|           | A   | INITIAL     | 26Feb2015 | GY CW |
|           |     |             |           |       |
|           |     |             |           |       |



NOTES:  
 I. TECHNICAL CHARACTERISTICS:  
 HOOD MATERIAL: DIE CAST ALUMINIUM ALLOY  
 SURFACE TREATMENT: SEE TABLE  
 OPERATION TEMPERATURE: -40°C~+125°C  
 DEGREE OF PROTECTION: IP68 (MATED)

注释  
 I. 技术参数:  
 壳体材料: 铝合金  
 表面处理: 见表格  
 工作温度: -40°C~+125°C  
 防护等级: IP68 (配合)

| T1910242150-000 | POWDER COATED GRAY RAL7037       | H24BPR-TSH-M50  | M50         |
|-----------------|----------------------------------|-----------------|-------------|
| T1910241150-000 | POWDER COATED SILVERGRAY RAL7001 | H24BPR-TSH-M50  | M50         |
| T1910241140-000 | POWDER COATED SILVERGRAY RAL7001 | H24BPR-TSH-M40  | M40         |
| T1910241136-000 | POWDER COATED SILVERGRAY RAL7001 | H24BPR-TSH-PG36 | PG36        |
| T1910241132-000 | POWDER COATED SILVERGRAY RAL7001 | H24BPR-TSH-M32  | M32         |
| T1910241129-000 | POWDER COATED SILVERGRAY RAL7001 | H24BPR-TSH-PG29 | PG29        |
| T1910241125-000 | POWDER COATED SILVERGRAY RAL7001 | H24BPR-TSH-M25  | M25         |
| T1910241121-000 | POWDER COATED SILVERGRAY RAL7001 | H24BPR-TSH-PG21 | PG21        |
| T1910240150-000 | POWDER COATED BLACK RAL9005      | H24BPR-TSH-M50  | M50         |
| T1910240140-000 | POWDER COATED BLACK RAL9005      | H24BPR-TSH-M40  | M40         |
| T1910240136-000 | POWDER COATED BLACK RAL9005      | H24BPR-TSH-PG36 | PG36        |
| T1910240132-000 | POWDER COATED BLACK RAL9005      | H24BPR-TSH-M32  | M32         |
| T1910240129-000 | POWDER COATED BLACK RAL9005      | H24BPR-TSH-PG29 | PG29        |
| T1910240125-000 | POWDER COATED BLACK RAL9005      | H24BPR-TSH-M25  | M25         |
| T1910240121-000 | POWDER COATED BLACK RAL9005      | H24BPR-TSH-PG21 | PG21        |
| PART NUMBER     | SURFACE TREATMENT                | DESCRIPTION     | THREAD PG/M |

|  |  |                             |                              |  |
|--|--|-----------------------------|------------------------------|--|
| THIS DRAWING IS A CONTROLLED DOCUMENT. |  | DWN Gino.Yao 14Dec2014      | TE Connectivity              |  |
|  |  | CHK Chris.Wang 14Dec2014    |                              |  |
|  |  | APVD Xiang.Xu 14Dec2014     | NAME H24BPR-TSH-PG/M         |  |
| DIMENSIONS: mm                         |  | PRODUCT SPEC 108-137014     | SIZE A2                      |  |
| TOLERANCES UNLESS OTHERWISE SPECIFIED: |  | APPLICATION SPEC 114-137014 | CAGE CODE -                  |  |
| 0 PLC ±                                |  | WEIGHT -                    | DRAWING NO. C-T191024X1XX000 |  |
| 1 PLC ±                                |  | RESTRICTED TO -             |                              |  |
| 2 PLC ±                                |  | SCALE 1:1                   |                              |  |
| 3 PLC ±                                |  | SHEET 1 OF 1                |                              |  |
| 4 PLC ±                                |  | REV A                       |                              |  |
| ANGLES ±                               |  | Customer Drawing            |                              |  |
| FINISH -                               |  |                             |                              |  |

# Mouser Electronics

Authorized Distributor

Click to View Pricing, Inventory, Delivery & Lifecycle Information:

## TE Connectivity:

[T1910241121-000](#) [T1910241125-000](#) [T1910241129-000](#) [T1910241132-000](#) [T1910241136-000](#) [T1910241140-000](#)  
[T1910240136-000](#) [T1910240140-000](#) [T1910241150-000](#) [T1910242150-000](#) [T1910240121-000](#) [T1910240125-000](#)  
[T1910240129-000](#) [T1910240132-000](#)