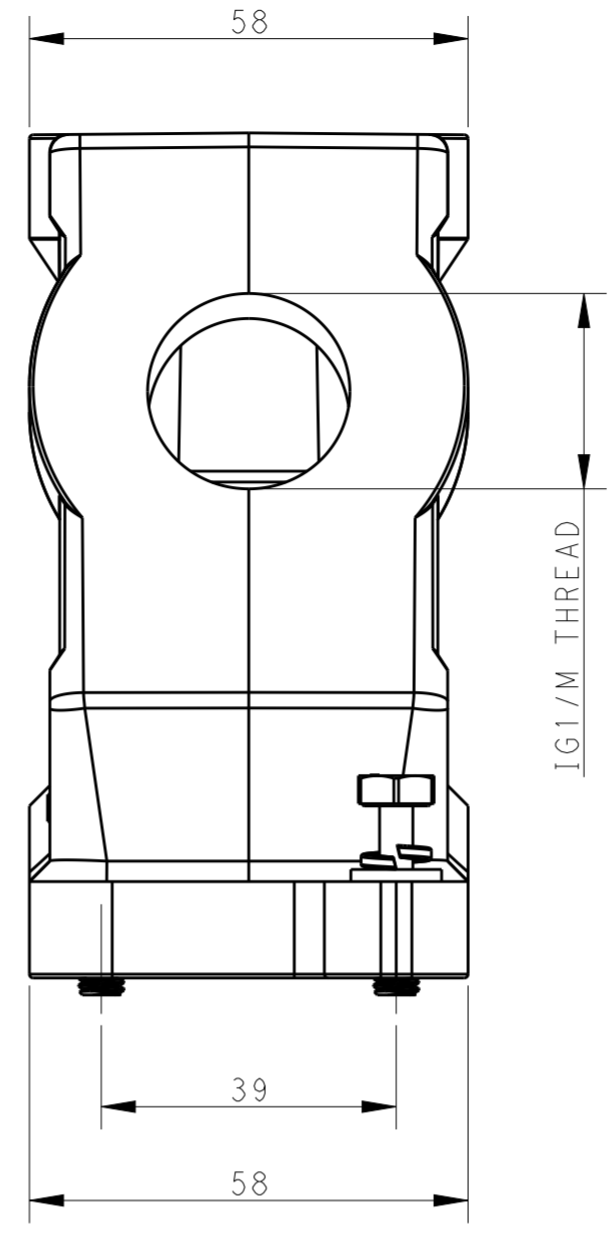
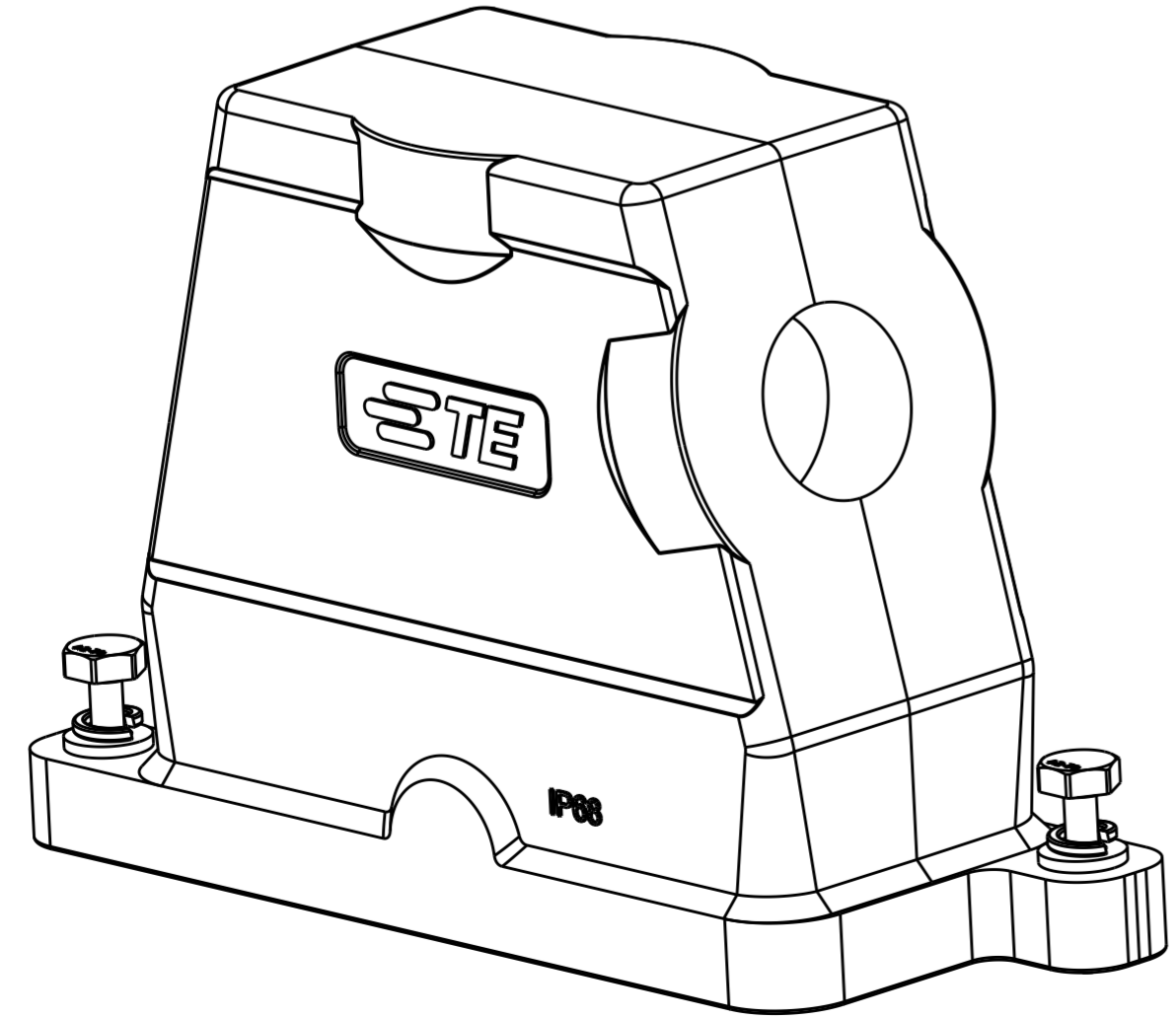
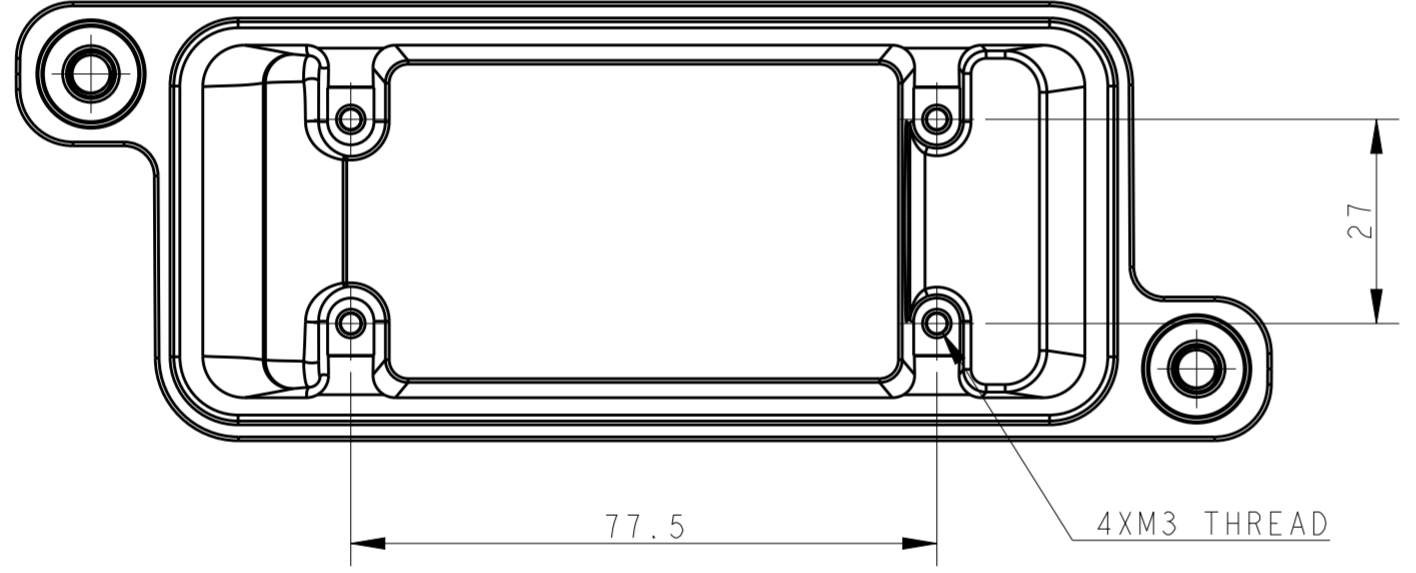
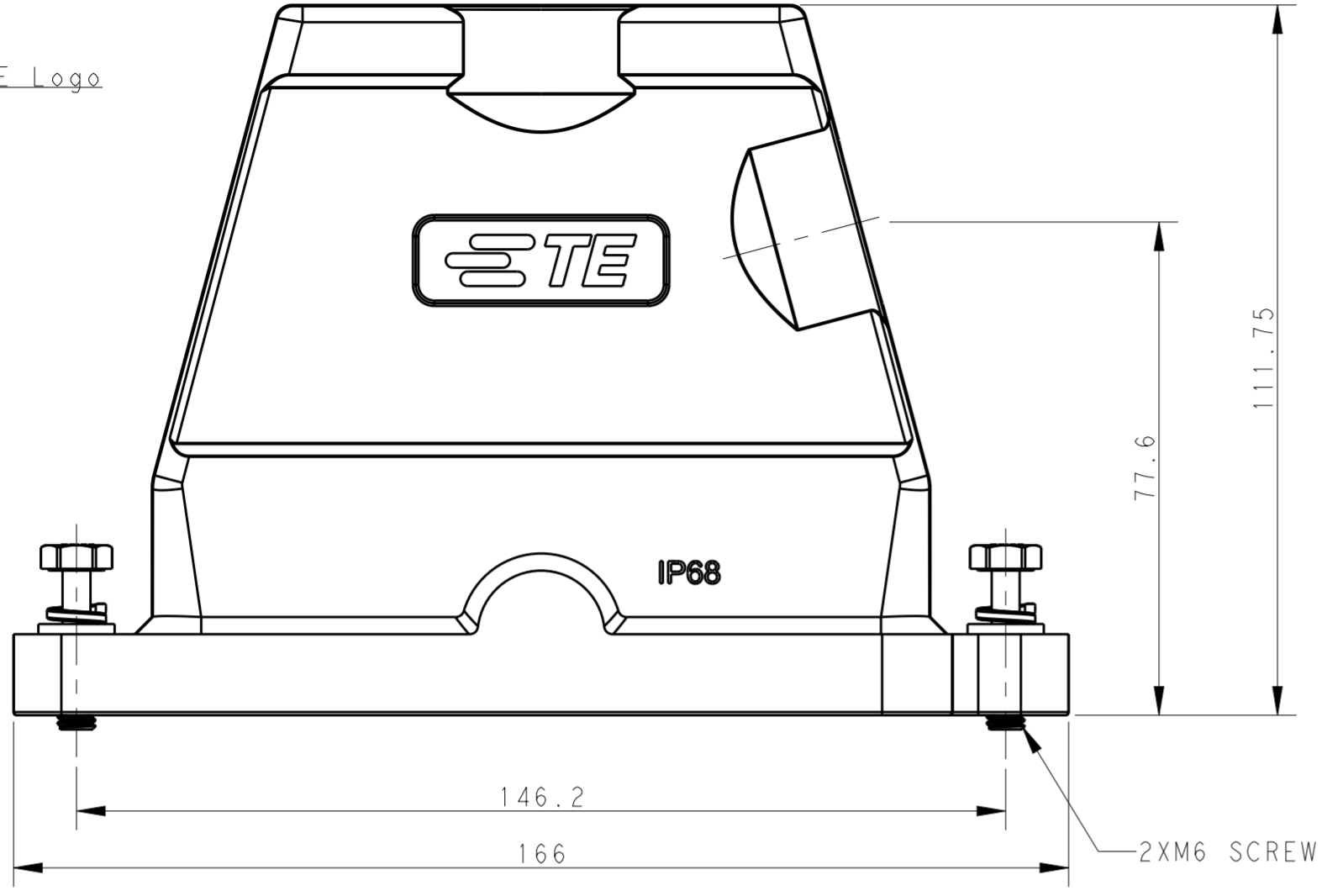


THIS DRAWING IS UNPUBLISHED. RELEASED FOR PUBLICATION 20
 © COPYRIGHT 20 BY - ALL RIGHTS RESERVED.

TYPE 1
 类型 1

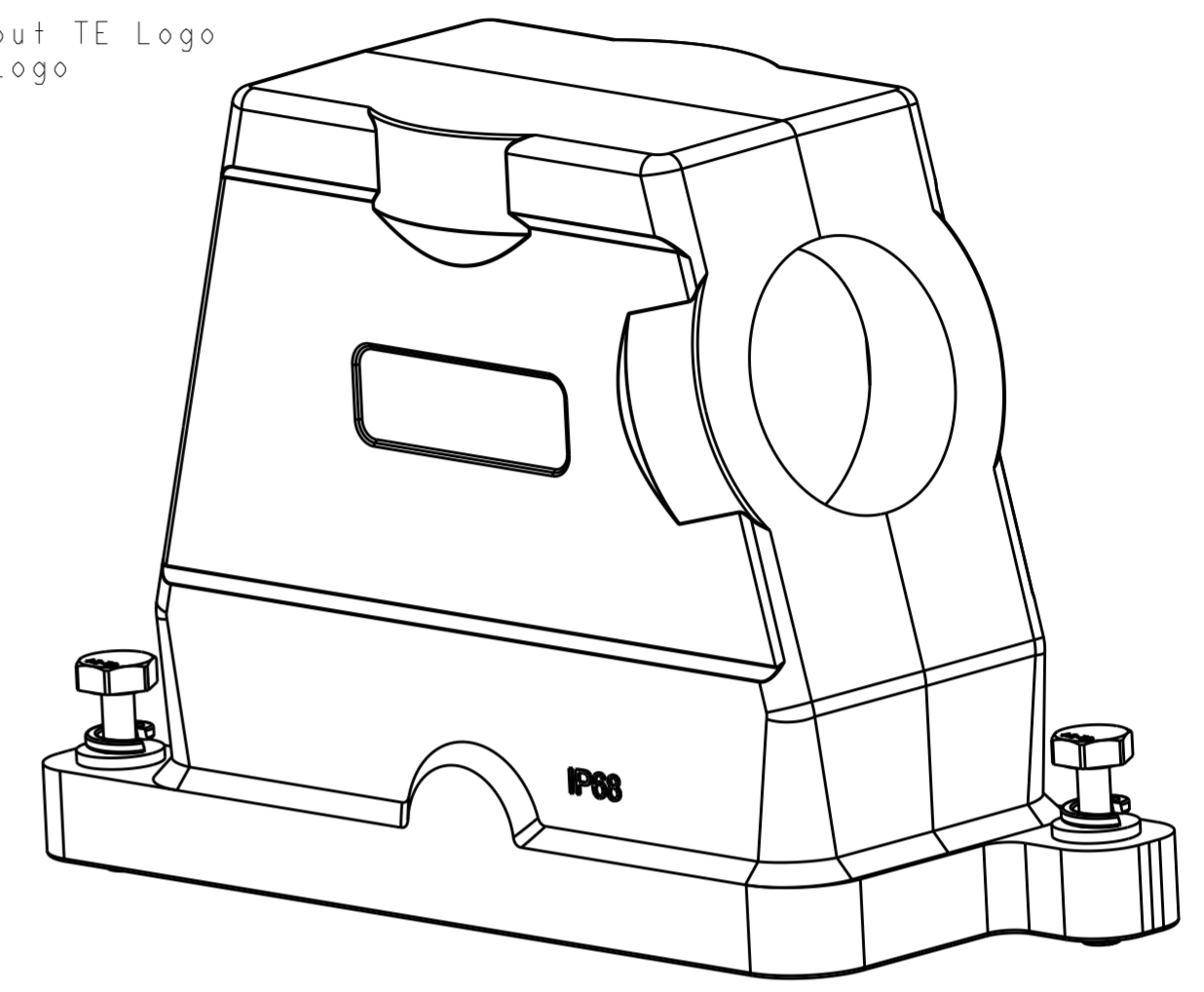
Hood with TE Logo
 带TE LOGO上壳



TYPE 2
 类型 2

Hood without TE Logo
 不带TE LOGO上壳

* Without TE Logo
 * 无TE Logo



All dimension is same as TYPE 1, except those defined in this TYPE
 除了在本类型中定义的尺寸外 其它尺寸同类型 1

REVISIONS				
P	LTR	DESCRIPTION	DATE	APVD
A		INITIAL RELEASE	11JUN2015	GY CW
A1		ECR-18-011763	31JUL2018	CD CW

NOTES:
 1. TECHNICAL CHARACTERISTICS:
 HOOD MATERIAL: DIE CAST ALUMINIUM ALLOY
 SURFACE TREATMENT: SEE TABLE
 DEGREE OF PROTECTION: IP68 (MATED)

注释
 1. 技术参数:
 壳体材料: 铝合金
 表面处理: 见表格
 防护等级: IP68 (配合)

THIS DRAWING IS A CONTROLLED DOCUMENT.		DWN Gino Yao 11JUN2015	STE TE Connectivity	
		CHK Chris Wang 11JUN2015		
		APVD Xiang Xu 11JUN2015	NAME H16BPR-TSH-PG/M	
DIMENSIONS: mm		PRODUCT SPEC 108-137014	SIZE A2	CAGE CODE -
TOLERANCES UNLESS OTHERWISE SPECIFIED: 0 PLC ± 1 PLC ± 2 PLC ± 3 PLC ± 4 PLC ± ANGLES ± FINISH		APPLICATION SPEC 114-137014	DRAWING NO G-T191016XXXXX00	RESTRICTED TO -
MATERIAL -		WEIGHT -	SCALE 1:1	SHEET 1 OF 2
		Customer Drawing		REV A1

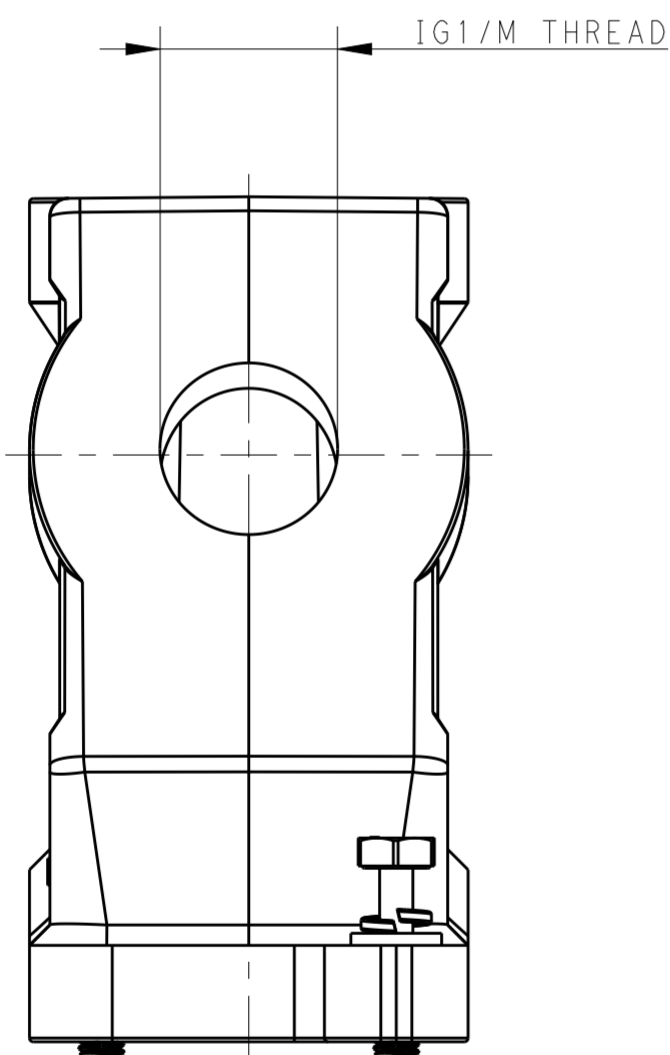
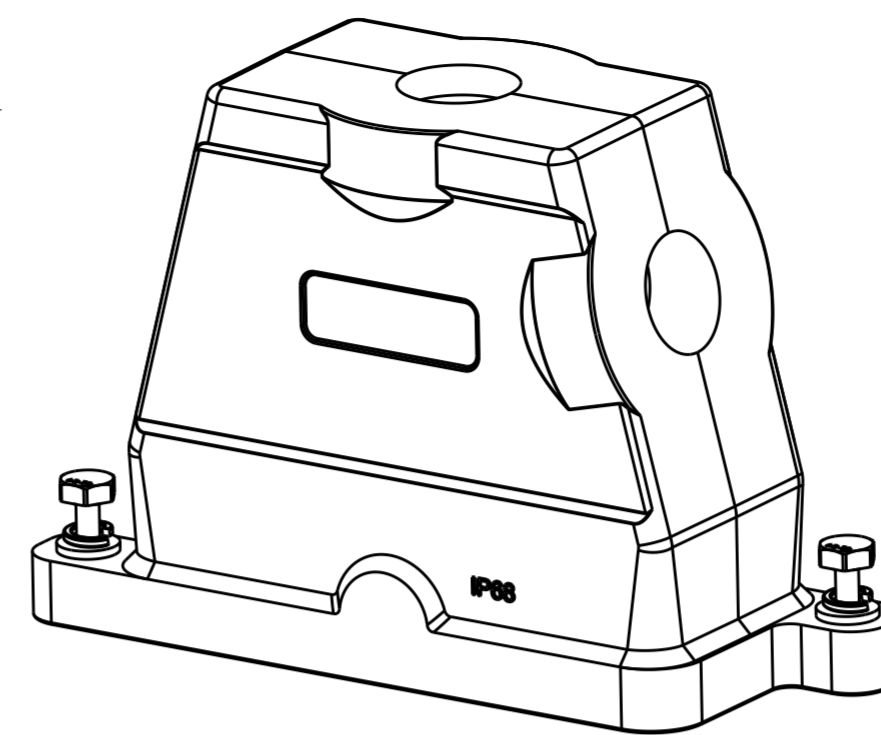
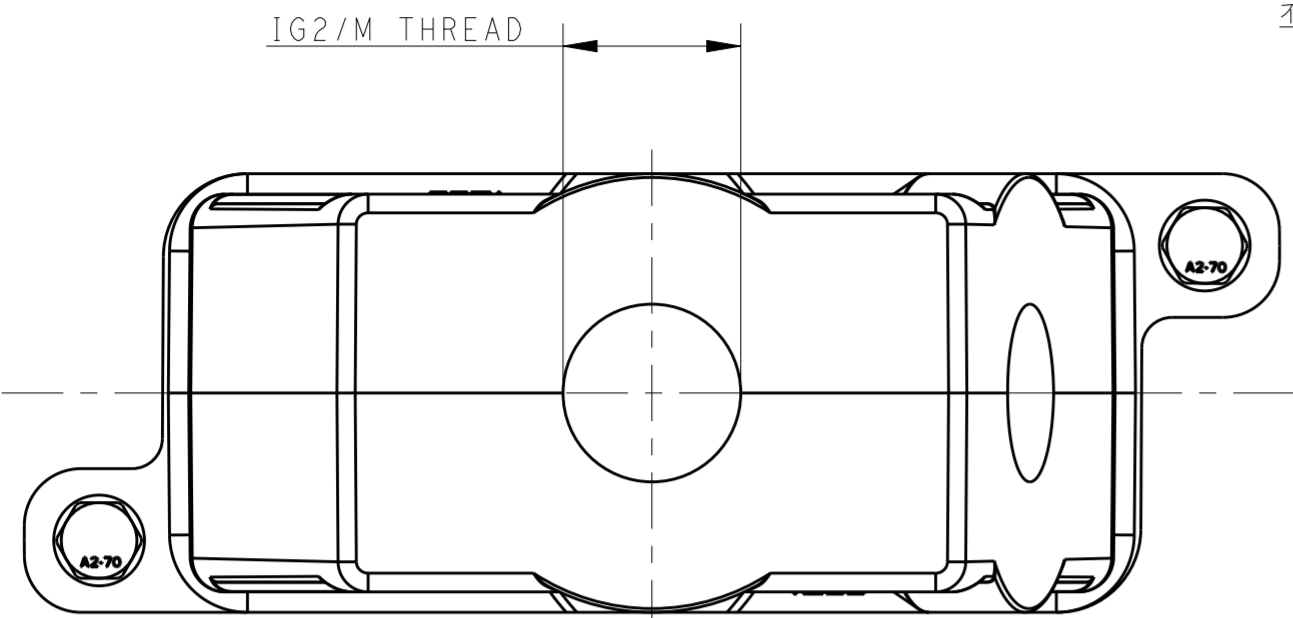
THIS DRAWING IS UNPUBLISHED. RELEASED FOR PUBLICATION 20
 © COPYRIGHT 20 BY - ALL RIGHTS RESERVED.

TYPE 3

类型3

Hood, top & side entry, without TE Logo
 不带TE LOGO顶侧出上壳

REVISIONS				
P	LTR	DESCRIPTION	DATE	APVD
-		SEE SHEET 1	-	-



PART NUMBER 料号	SURFACE TREATMENT 表面处理	DESCRIPTION 描述	1G1/M 螺纹孔1	1G2/M 螺纹孔2	TYPE 类型
T1900163240-001	POWDER COATED, DEEP GREY 表面喷涂, 深灰色	H16BPR-TG/SH-M32/M40 H16BPR HOOD, DIAGONAL LOCKING, TOP ENTRY M32, SIDE ENTRY M40, POWDER COATED, DEEP GREY, NO LOGO H16BPR上壳, 对角锁定, 顶出M32侧出M40, 深灰色粉末喷涂, 无LOGO	M40	M32	TYPE 3 类型3
T1910162140-001	POWDER COATED, DEEP GREY 表面喷涂, 深灰色	H16BPR-TSH-M40 H16BPR HOOD, DIAGONAL LOCKING, SIDE ENTRY M40, POWDER COATED, BLACK, NO LOGO H16BPR上壳, 对角锁定, 侧出M40, 深灰色粉末喷涂, 无LOGO	M40	-	TYPE 2 类型2
T1910160140-100	POWDER COATED, BLACK 表面喷涂, 黑色	H16BPR-TSH-M40 H16BPR HOOD, DIAGONAL LOCKING, SIDE ENTRY M40, POWDER COATED, BLACK, NO LOGO H16BPR上壳, 对角锁定, 侧出M40, 黑色粉末喷涂, 无LOGO	M40	-	TYPE 2 类型2
T1910161140-000	POWDER COATED, SILVER WHITE 表面喷涂, 银白色	H16BPR-TSH-M40 H16BPR HOOD, DIAGONAL LOCKING, SIDE ENTRY M40, POWDER COATED, SILVER WHITE H16BPR上壳, 对角锁定, 侧出M40, 银白色粉末喷涂	M40	-	TYPE 1 类型1
T1910161136-000	POWDER COATED, SILVER WHITE 表面喷涂, 银白色	H16BPR-TSH-PG36 H16BPR HOOD, DIAGONAL LOCKING, SIDE ENTRY PG36, POWDER COATED, SILVER WHITE H16BPR上壳, 对角锁定, 侧出PG36, 银白色粉末喷涂	PG36	-	TYPE 1 类型1
T1910161132-000	POWDER COATED, SILVER WHITE 表面喷涂, 银白色	H16BPR-TSH-M32 H16BPR HOOD, DIAGONAL LOCKING, SIDE ENTRY M32, POWDER COATED, SILVER WHITE H16BPR上壳, 对角锁定, 侧出M32, 银白色粉末喷涂	M32	-	TYPE 1 类型1
T1910161129-000	POWDER COATED, SILVER WHITE 表面喷涂, 银白色	H16BPR-TSH-PG29 H16BPR HOOD, DIAGONAL LOCKING, SIDE ENTRY PG29, POWDER COATED, SILVER WHITE H16BPR上壳, 对角锁定, 侧出PG29, 银白色粉末喷涂	PG29	-	TYPE 1 类型1
T1910161125-000	POWDER COATED, SILVER WHITE 表面喷涂, 银白色	H16BPR-TSH-M25 H16BPR HOOD, DIAGONAL LOCKING, SIDE ENTRY M25, POWDER COATED, SILVER WHITE H16BPR上壳, 对角锁定, 侧出M25, 银白色粉末喷涂	M25	-	TYPE 1 类型1
T1910161121-000	POWDER COATED, SILVER WHITE 表面喷涂, 银白色	H16BPR-TSH-PG21 H16BPR HOOD, DIAGONAL LOCKING, SIDE ENTRY PG21, POWDER COATED, SILVER WHITE H16BPR上壳, 对角锁定, 侧出PG21, 银白色粉末喷涂	PG21	-	TYPE 1 类型1
T1910160140-000	POWDER COATED, BLACK 表面喷涂, 黑色	H16BPR-TSH-M40 H16BPR HOOD, DIAGONAL LOCKING, SIDE ENTRY M40, POWDER COATED, BLACK H16BPR上壳, 对角锁定, 侧出M40, 黑色粉末喷涂	M40	-	TYPE 1 类型1
T1910160136-000	POWDER COATED, BLACK 表面喷涂, 黑色	H16BPR-TSH-PG36 H16BPR HOOD, DIAGONAL LOCKING, SIDE ENTRY PG36, POWDER COATED, BLACK H16BPR上壳, 对角锁定, 侧出PG36, 黑色粉末喷涂	PG36	-	TYPE 1 类型1
T1910160132-000	POWDER COATED, BLACK 表面喷涂, 黑色	H16BPR-TSH-M32 H16BPR HOOD, DIAGONAL LOCKING, SIDE ENTRY M32, POWDER COATED, BLACK H16BPR上壳, 对角锁定, 侧出M32, 黑色粉末喷涂	M32	-	TYPE 1 类型1
T1910160129-000	POWDER COATED, BLACK 表面喷涂, 黑色	H16BPR-TSH-PG29 H16BPR HOOD, DIAGONAL LOCKING, SIDE ENTRY PG29, POWDER COATED, BLACK H16BPR上壳, 对角锁定, 侧出PG29, 黑色粉末喷涂	PG29	-	TYPE 1 类型1
T1910160125-000	POWDER COATED, BLACK 表面喷涂, 黑色	H16BPR-TSH-M25 H16BPR HOOD, DIAGONAL LOCKING, SIDE ENTRY M25, POWDER COATED, BLACK H16BPR上壳, 对角锁定, 侧出M25, 黑色粉末喷涂	M25	-	TYPE 1 类型1
T1910160121-000	POWDER COATED, BLACK 表面喷涂, 黑色	H16BPR-TSH-PG21 H16BPR HOOD, DIAGONAL LOCKING, SIDE ENTRY PG21, POWDER COATED, BLACK H16BPR上壳, 对角锁定, 侧出PG21, 黑色粉末喷涂	PG21	-	TYPE 1 类型1

All dimension is same as TYPE 1, except those defined in this TYPE
 除了在本类型中定义的尺寸外 其它尺寸同类型1

THIS DRAWING IS A CONTROLLED DOCUMENT.		DWN Gino Yao 11 JUN 2015	TE Connectivity	
DIMENSIONS: mm		CHK Chris Wang 11 JUN 2015		
TOLERANCES UNLESS OTHERWISE SPECIFIED:		APVD Xiang Xu 11 JUN 2015	NAME H16BPR-TSH-PG/M	
		PRODUCT SPEC 108-137014	RESTRICTED TO	
MATERIAL		APPLICATION SPEC 114-137014	SIZE A2	CAGE CODE
		WEIGHT	DRAWING NO G-T191016XXXXX00	
		Customer Drawing	SCALE 1:1	SHEET 2 OF 2
			REV A1	

Mouser Electronics

Authorized Distributor

Click to View Pricing, Inventory, Delivery & Lifecycle Information:

[TE Connectivity:](#)

[T1910160121-000](#) [T1910160125-000](#) [T1910160129-000](#) [T1910160132-000](#) [T1910160140-000](#) [T1910161121-000](#)
[T1910161125-000](#) [T1910161129-000](#) [T1910161132-000](#) [T1910161136-000](#) [T1910161140-000](#)