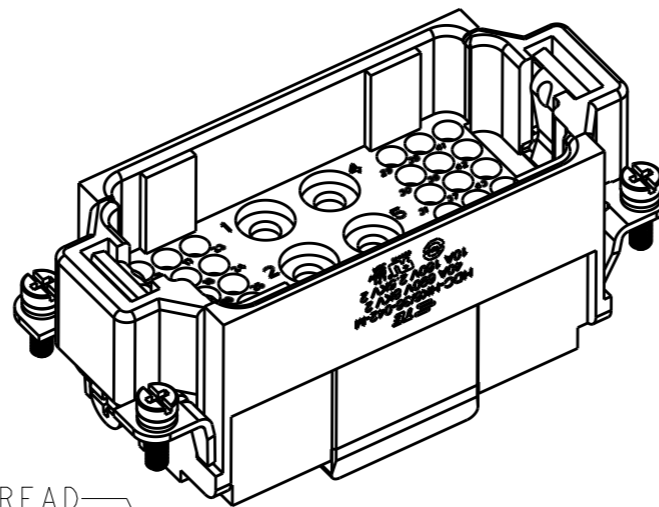
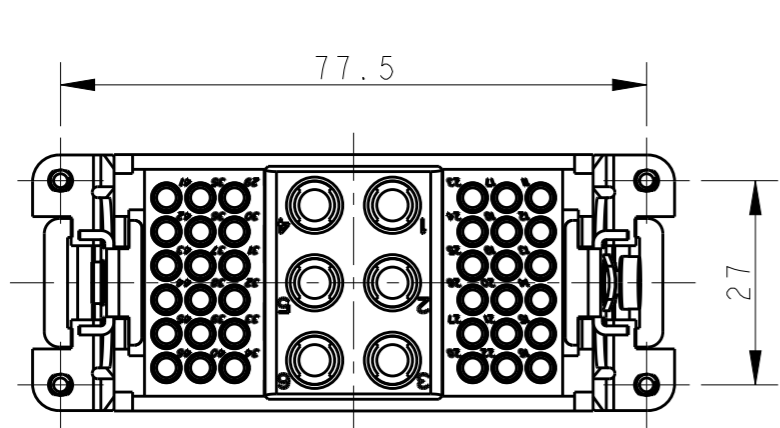


THIS DRAWING IS UNPUBLISHED. RELEASED FOR PUBLICATION 20
 © COPYRIGHT 20 BY - ALL RIGHTS RESERVED.

REVISIONS

P	LTR	DESCRIPTION	DATE	DWN	APVD
	A	INITIAL	22DEC2014	DW	CW
	B	ECR-15-018481	23FEB2016	DW	CW

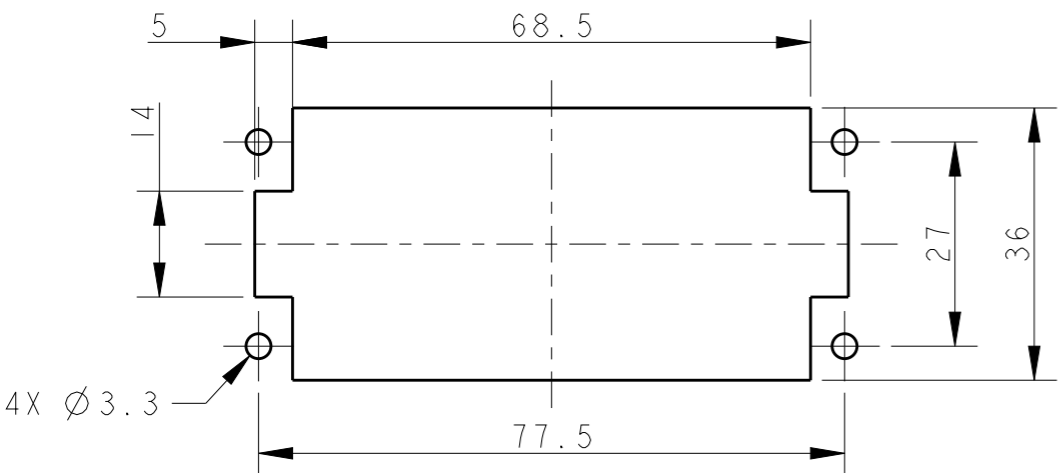
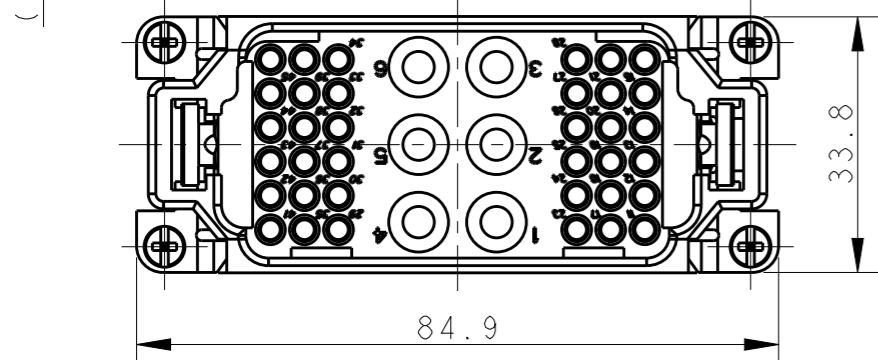
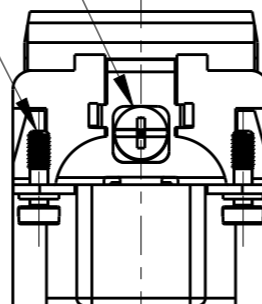
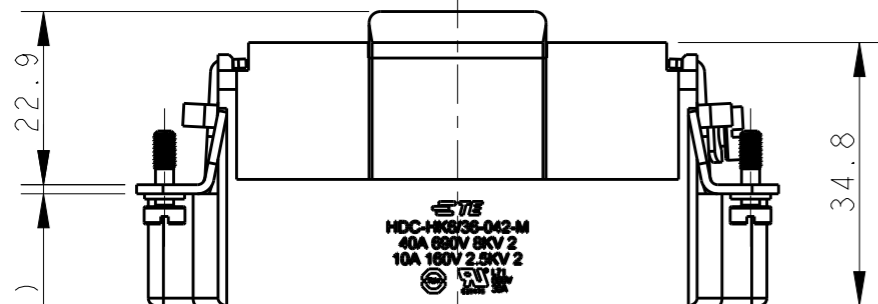


NOTES:

- TECHNICAL CHARACTERISTICS:
 INSULATION MATERIAL: PC
 RATED VOLTAGE: POWER: 690 V; SIGNAL: 250V
 RATED CURRENT: POWER: 40 A; SIGNAL: 10A
 INSULATION RESISTANCE: $\geq 400M\Omega$
 RATED IMPULSE VOLTAGE: POWER: 8 KV; SIGNAL: 4 KV
 POLLUTION DEGREE: 2
 CONTACT RESISTANCE: POWER: $\leq 1 m\Omega$; SIGNAL: $\leq 5 m\Omega$
 FLAMMABILITY: UL94V-0
 MATING CYCLES: 500 CYCLES
 OPERATION TEMPERATURE: $-40+125^{\circ}C$
 WIRE RANGE: POWER: 1-6 mm² (18-10 AWG)
 SIGNAL: 0.14-2.5 mm² (26-14 AWG)
 CONTACT TYPE: CRIMP CONTACT
- CONTACT NEED TO BE ORDERED SEPARATELY.
 (ORDER No. REFER TO DRAWING:
 T20200X10XX000 FOR SIGNAL; T20400X10XX000 FOR POWER)

M4 THREAD
 RECOMMENDED TIGHTENING TORQUE 1.2Nm

4-M3 THREAD
 RECOMMENDED TIGHTENING TORQUE 0.5Nm




PANEL CUT FOR INSERTS FOR USE WITHOUT HOODS/ HOUSINGS

注释:

- 技术参数:
 绝缘材料: PC
 额定电压: 电源: 690 V; 信号: 250 V
 额定电流: 电源: 40 A; 信号: 10 A
 绝缘电阻: $\geq 400M\Omega$
 额定脉冲电压: 电源: 8 KV; 信号: 4 KV
 污染等级: 2
 接触电阻: 电源: $\leq 1 m\Omega$; 信号: $\leq 5 m\Omega$
 阻燃等级: UL94V-0
 插拔次数: 500次
 工作温度: $-40+125^{\circ}C$
 接线范围: 电源: 1-6 mm² (18-10 AWG)
 信号: 0.14-2.5 mm² (26-14 AWG)
 接线类型: 冷压接
- 端子需要单独订购。
 (订货号参考图面: 信号端子: T20200X10XX000; 电源端子: T20400X10XX000)

T2120422101-000	HK6/36-042-M HK6/36-042 公插
PART NUMBER 料号	PART DESCRIPTION 描述

THIS DRAWING IS A CONTROLLED DOCUMENT.		DWN 22DEC2014 David Wang	 TE Connectivity NAME HK6/36-042-M				
DIMENSIONS: mm		CHK 22DEC2014 Chris Wang					
TOLERANCES UNLESS OTHERWISE SPECIFIED:		APVD 22DEC2014 Xiang Xu					
0 PLC ±- 1 PLC ±- 2 PLC ±- 3 PLC ±- 4 PLC ±- ANGLES ±-		PRODUCT SPEC 108-137053					
MATERIAL		APPLICATION SPEC 114-137053	SIZE A3	CAGE CODE 00779	DRAWING NO T2120422101000	RESTRICTED TO	
FINISH		WEIGHT	SCALE 1:1		SHEET 1	OF 1	REV B
		Customer Drawing					

Mouser Electronics

Authorized Distributor

Click to View Pricing, Inventory, Delivery & Lifecycle Information:

[TE Connectivity:](#)

[T2120422101-000](#)