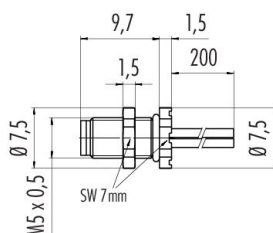


Product description	<b>M5 Male panel mount connector, Contacts: 4, unshielded, single wires, IP67, front fastened</b>
Area	<b>series 707</b>
Part no.	<b>09 3111 86 04</b>

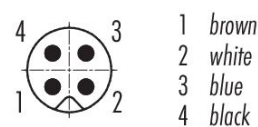
### Illustration



### Scale drawing



### Contact arrangement (Plug-in side)



You can find the assembly instructions on the next page.

## Technical data

### General features

Part no.	<b>09 3111 86 04</b>
Connector design	Male panel mount connector
Type standard	DIN EN 61076-2-105
Wire length	0.2 m (Standard 0.2 m. Other lengths are available on request).
Version	Connector pin straight
Connector locking system	screw
Termination	single wires
Degree of protection	IP67
Cross-sectional area	0.14 mm <sup>2</sup> / AWG 26
Temperature range from/to	-25 °C / 80 °C
Mechanical operation	> 100 Mating cycles
Weight (g)	3.14
Customs tariff number	85369010
Country of Origin	DE

### Electrical parameters

Rated voltage	60 V
Rated impulse voltage	800 V
Rated current	1.0 A
Insulation resistance	> 10 <sup>8</sup> Ω
Pollution degree	3
Overvoltage category	II
Insulating material group	I
EMC compliance	unshielded

Product description	<b>M5 Male panel mount connector, Contacts: 4, unshielded, single wires, IP67, front fastened</b>
Area	<b>series 707</b>
Part no.	<b>09 3111 86 04</b>

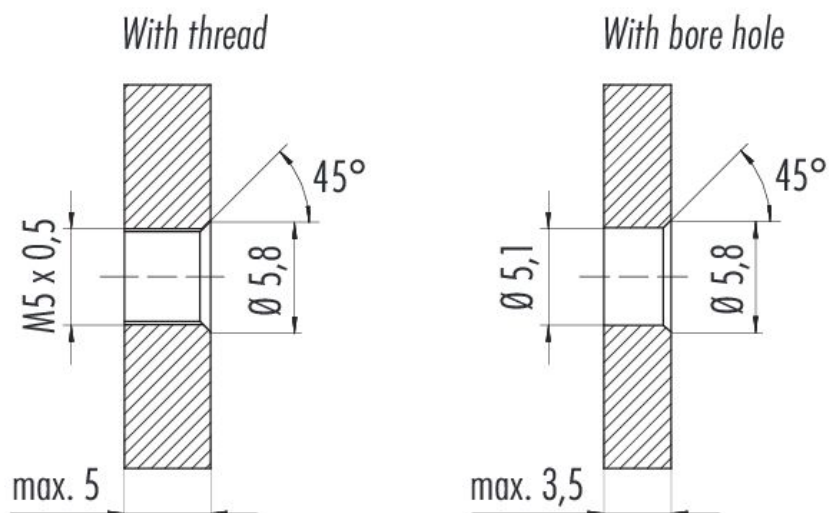
## Material

Contact body material	PA
Contact material	CuZn (brass)
Contact plating	Au (gold)
REACH SVHC	CAS 7439-92-1 (Lead)
SCIP number	0e00761b-47dd-491d-9249-ce835ae6d71a

## Classifications

eCl@ss 11.1	27-44-01-09
ETIM 9.0	EC003569

## Assembly instructions / Panel cut-out



Product description	<b>M5 Male panel mount connector, Contacts: 4, unshielded, single wires, IP67, front fastened</b>
Area	<b>series 707</b>
Part no.	<b>09 3111 86 04</b>

## Security notices

The connector must not be plugged or unplugged under load. Non-observance and improper use can result in personal injury.

The connectors have been developed for applications in plant engineering, control and electrical equipment construction. The user is responsible for checking whether the connectors can also be used in other areas of application.

Connectors which are used in circuits with voltages dangerous to the touch may only be installed and used by, or under the supervision of, persons with electrical engineering training, taking into account the applicable regulations and standards.

The user must take suitable safety precautions to ensure that the connector cannot be accidentally disconnected.

Plug connectors with enclosure protection IP67 and IP68 are not suitable for use under water. When used outdoors, the plug connectors must be protected separately against corrosion. For further information on the IP protection classes, please refer to the "Technical Information" download centre.

The plug connector is not suitable for mains voltages. Please observe the pollution degree and the overvoltage category. For further information, please refer to the download center "Technical Information".

To lock the cable connector with the device connector, the threaded ring is tightened "hand-tight" (approx. 50 cNm).