

ST-5EP1N8AA400S - Device connector front mounting



1620431

<https://www.phoenixcontact.com/us/products/1620431>

Please be informed that the data shown in this PDF document is generated from our online catalog. Please find the complete data in the user documentation. Our general terms of use for downloads are valid.



Device connector front mounting, angled rotatable, for standard and SPEEDCON interlock, M17, number of positions: 5+PE, contact connection type: Pin, Axial O-ring, 4x Ø2,7, shielded: yes, flange dimensions: 25.75 mm x 25.75 mm, degree of protection: IP67, number of positions: 6, connection method: Crimp connection, series: ST

Your advantages

- Easy connection, thanks to infinitely adjustable cable outlet direction up to 310°
- Consistent EMC protection for reliable connection solutions in the industrial environment
- Crimping connection: vibration- and temperature-resistant assembly

Commercial data

| | |
|--------------------------------------|--------------------------------|
| Item number | 1620431 |
| Packing unit | 1 pc |
| Note | Made to order (non-returnable) |
| Sales key | AB32 |
| Product key | ABRBEM |
| Catalog page | Page 138 (C-2-2019) |
| GTIN | 4046356828192 |
| Weight per piece (including packing) | 96.7 g |
| Weight per piece (excluding packing) | 82 g |
| Customs tariff number | 85366990 |
| Country of origin | DE |

Technical data

Notes

| | |
|--------------------|--|
| Order information: | Order 6 x Ø 1 mm crimp contacts separately |
|--------------------|--|

Safety note

| | |
|--|--|
| Safety note | <p>WARNING: The connectors may not be plugged in or disconnected under load. Ignoring the warning or improper use may damage persons and/or property.</p> |
| | <ul style="list-style-type: none"> • WARNING: Commission properly functioning products only. The products must be regularly inspected for damage. Decommission defective products immediately. Replace damaged products. Repairs are not possible. |
| | <ul style="list-style-type: none"> • WARNING: Only electrically qualified personnel may install and operate the product. They must observe the following safety notes. The qualified personnel must be familiar with the basics of electrical engineering. They must be able to recognize and prevent danger. The relevant symbol on the packaging indicates that only personnel familiar with electrical engineering are allowed to install and operate the product. |
| | <ul style="list-style-type: none"> • The products are suitable for applications in plant, controller, and electrical device engineering. |
| | <ul style="list-style-type: none"> • When operating the connectors in outdoor applications, they must be separately protected against environmental influences. |
| | <ul style="list-style-type: none"> • Assembled products may not be manipulated or improperly opened. |
| | <ul style="list-style-type: none"> • Only use mating connectors that are specified in the technical data of the standards listed (e.g. the ones listed in the product accessories online at phoenixcontact.com/products). |
| | <ul style="list-style-type: none"> • When using the product in direct connection with third-party manufacturers, the user is responsible. |
| | <ul style="list-style-type: none"> • For operating voltages > 50 V AC, conductive connector housings must be grounded |
| | <ul style="list-style-type: none"> • Ensure that the protective or functional ground has been properly connected. |
| | <ul style="list-style-type: none"> • VDE 0100/1.97 § 411.1.3.2 and DIN EN 60 204/11.98 § 14.1.3 are applicable when combining several circuits in a cable and/or connector |
| | <ul style="list-style-type: none"> • Only use tools recommended by Phoenix Contact |
| | <ul style="list-style-type: none"> • The installation notes/Design In documents online on the download page at phoenixcontact.com/products must be observed for this product. |
| | <ul style="list-style-type: none"> • Operate the connector only when it is fully plugged in and interlocked. |
| <ul style="list-style-type: none"> • Ensure that when laying the cable, the tensile load on the connectors does not exceed the upper limit specified in the standards. | |
| <ul style="list-style-type: none"> • Observe the minimum bending radius of the cable. Lay the cable without twisting it. | |
| <ul style="list-style-type: none"> • The connector warms up in normal operation. Depending on the ambient conditions, the surface of the connector can continue to warm up. In this case, the user is responsible for posting | |

ST-5EP1N8AA400S - Device connector front mounting



1620431

<https://www.phoenixcontact.com/us/products/1620431>

warnings (e.g. DIN EN ISO 13732-1:2008-12).

Mounting

| | |
|----------|---------|
| Mounting | 4x Ø2,7 |
|----------|---------|

Product properties

| | |
|---------------------|-----------------------------------|
| Product type | Circular connectors (device side) |
| Series | ST |
| Application | Power |
| Number of positions | 6 |
| Connection profile | 5+PE |
| Shielded | yes |
| Coding | N |
| Thread type | M17 |

Dimensions

Housing

| | |
|-------------------|---------------------|
| Flange dimensions | 25.75 mm x 25.75 mm |
|-------------------|---------------------|

Material specifications

| | |
|------------------|-------|
| Seal material | FPM |
| Housing material | Metal |

Electrical properties

Contact

| | |
|-----------------------|-------|
| Contact diameter | 1 mm |
| Max. current | 14 A |
| Nominal voltage U_N | 630 V |
| Overvoltage category | III |
| Degree of pollution | 3 |
| Rated surge voltage | 6 kV |

Contact

| | |
|------------------|------|
| Contact diameter | 1 mm |
|------------------|------|

Connection data

Conductor connection

| | |
|-------------------------|------------------|
| Connection method | Crimp connection |
| Contact connection type | Pin |

Connector

| | |
|-----------------------|------------------|
| Type | angled rotatable |
| Direction of rotation | Standard |

ST-5EP1N8AA400S - Device connector front mounting



1620431

<https://www.phoenixcontact.com/us/products/1620431>

Environmental and real-life conditions

Ambient conditions

| | |
|---------------------------------|-------------------|
| Degree of protection | IP67 |
| Ambient temperature (operation) | -40 °C ... 125 °C |
| Altitude | 3000 m |

ST-5EP1N8AA400S - Device connector front mounting

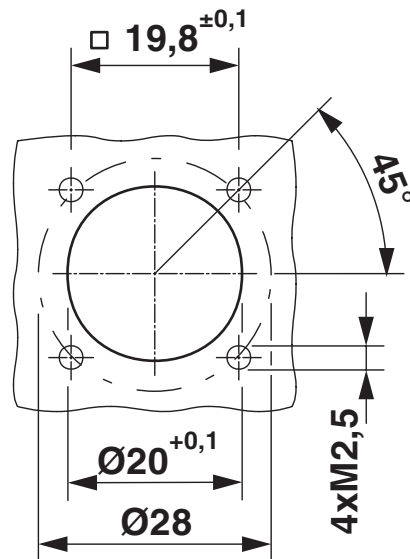


1620431

<https://www.phoenixcontact.com/us/products/1620431>

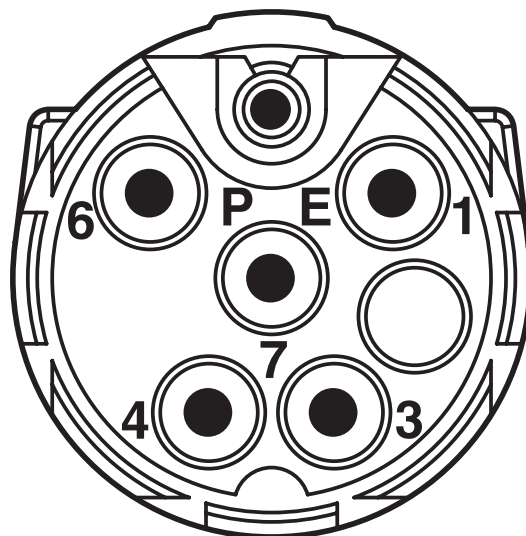
Drawings

Dimensional drawing



Drill holes

Schematic diagram



Connector pin assignment

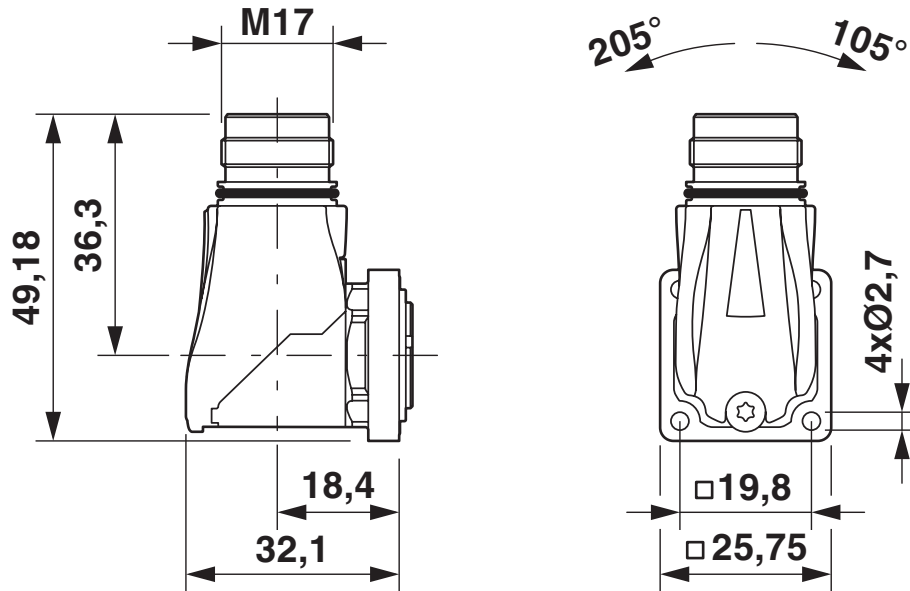
ST-5EP1N8AA400S - Device connector front mounting



1620431

<https://www.phoenixcontact.com/us/products/1620431>

Dimensional drawing



Dimensional drawing

ST-5EP1N8AA400S - Device connector front mounting



1620431

<https://www.phoenixcontact.com/us/products/1620431>

Classifications

ECLASS

ECLASS-11.0

27440102

ETIM

ETIM 8.0

EC002635

UNSPSC

UNSPSC 21.0

39121400

1620431

<https://www.phoenixcontact.com/us/products/1620431>

Environmental product compliance

EU RoHS

| | |
|---|------|
| Fulfills EU RoHS substance requirements | Yes |
| Exemption | 6(c) |

China RoHS

| | |
|--|---|
| Environment friendly use period (EFUP) | EFUP-50 |
| | An article-related China RoHS declaration table can be found in the download area for the respective article under "Manufacturer declaration". For all articles with EFUP-E, no China RoHS declaration table issued and required. |

EU REACH SVHC

| | |
|-------------------------------------|--------------------------------------|
| REACH candidate substance (CAS No.) | Lead(CAS: 7439-92-1) |
| SCIP | 40539d93-f651-4f98-bd57-e8c4d950bc16 |

ST-5EP1N8AA400S - Device connector front mounting



1620431

<https://www.phoenixcontact.com/us/products/1620431>

Accessories

ST-10KP010 - Crimp contact

1618255

<https://www.phoenixcontact.com/us/products/1618255>



Crimp contact, Pin, turned, Single contact, contact diameter: 1 mm, crimp range: 0.06 mm² ... 0.25 mm², Alternative product in accordance with RoHS II without Exemption 6c (Pb < 0.1 %) item no.: 1243215

ST-10KP035 - Crimp contact

1618458

<https://www.phoenixcontact.com/us/products/1618458>



Crimp contact, Pin, turned, contact diameter: 1 mm, crimp range: 0.25 mm² ... 1 mm², Alternative product in accordance with RoHS II without Exemption 6c (Pb < 0.1 %) item no.: 1243215

ST-5EP1N8AA400S - Device connector front mounting



1620431

<https://www.phoenixcontact.com/us/products/1620431>

ST-Z0019 - Color coding

1620621

<https://www.phoenixcontact.com/us/products/1620621>

Color coding, color: green



ST-Z0020 - Color coding

1620622

<https://www.phoenixcontact.com/us/products/1620622>

Color coding, color: orange



ST-5EP1N8AA400S - Device connector front mounting



1620431

<https://www.phoenixcontact.com/us/products/1620431>

ST-Z0021 - Color coding

1620623

<https://www.phoenixcontact.com/us/products/1620623>

Color coding, color: black



ST-Z0014 - Metal protective cap

1616069

<https://www.phoenixcontact.com/us/products/1616069>



Metal protective cap, M17, degree of protection: IP67, series: ST, Alternative product in accordance with RoHS II without Exemption 6c (Pb < 0.1 %) item no.: 1243010

ST-5EP1N8AA400S - Device connector front mounting



1620431

<https://www.phoenixcontact.com/us/products/1620431>

ST-Z0013 - Metal protective cap

1616068

<https://www.phoenixcontact.com/us/products/1616068>

Metal protective cap, M17, degree of protection: IP67, series: ST, Alternative product in accordance with RoHS II without Exemption 6c (Pb < 0.1 %) item no.: 1243009



Phoenix Contact 2024 © - all rights reserved

<https://www.phoenixcontact.com>

Phoenix Contact USA
586 Fulling Mill Road
Middletown, PA 17057, United States
(+717) 944-1300
info@phoenixcon.com