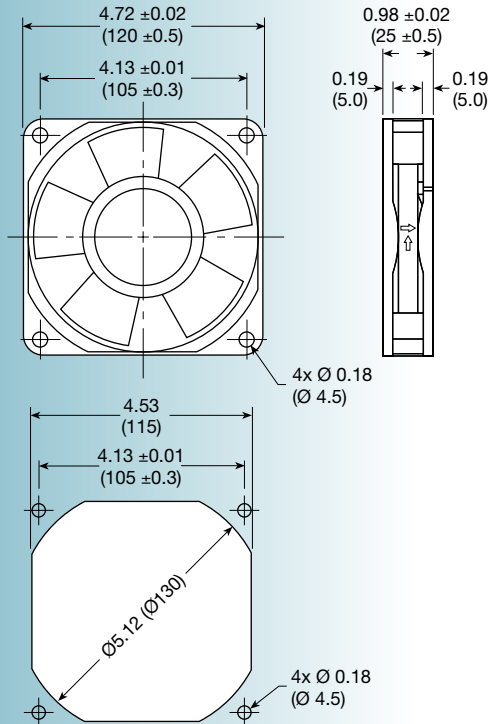
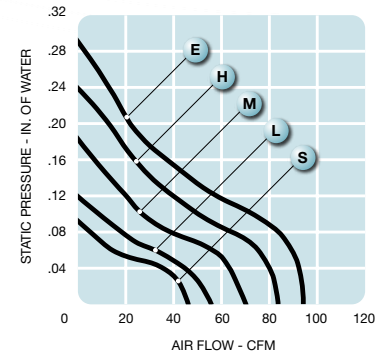


HIGH BACK PRESSURE

E1225 series

Size: (120 x 120 x 25 mm)
4.72 x 4.72 x 0.98 inches

- Features:** *high back pressure design*
- Construction:** UL94V-0 PBT impeller & frame
- Bearing option:** ball bearing or sleeve
- Connection:** terminal option or AWG 24, UL1007 lead wires
- Frame:** flanged
- Protection:** thermal
- Options:** tachometer output signal;
locked rotor alarm signal;
thermistor control



Model No.	Rated Voltage V	Current mA				Revolution RPM	Air Volume		Max. Static Pressure (H ₂ O)		Sound Noise dbA	Weight oz
		5	12	24	48		M ³ /Min.	CFM	MM	INCH		
E1225S	5/12/24	220	100	85	-	1,400	1.24	44	2.25	0.09	28	6.28
E1225L	5/12/24	340	142	95	-	1,800	1.55	55	3.00	0.12	32	6.28
E1225M	5/12/24/48	600	245	160	80	2,200	1.89	67	4.50	0.18	36	6.28
E1225H	12/24/48	-	385	240	120	2,600	2.32	82	6.00	0.24	40	6.28
E1225E	12/24/48	-	580	340	170	3,000	2.63	93	7.00	0.28	44	6.28