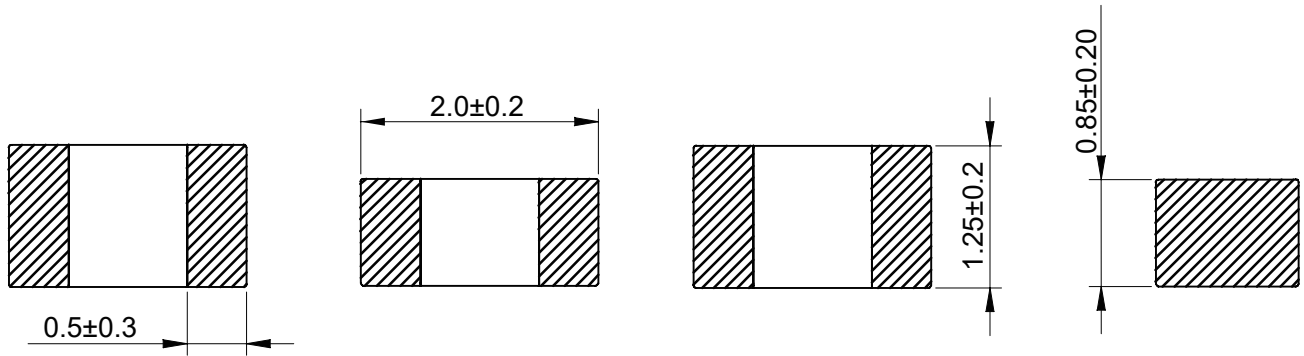
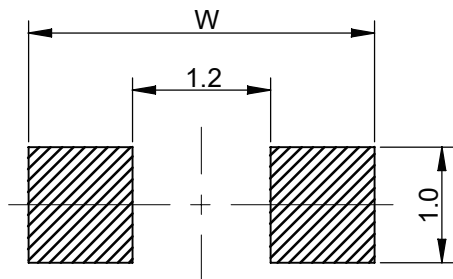


Dimensions: [mm]



Recommended Land Pattern: [mm]




WIDE BAND / HIGH SPEED: $W = 3,0$
 HIGH CURRENT: $W = 4,0$

Electrical Properties:

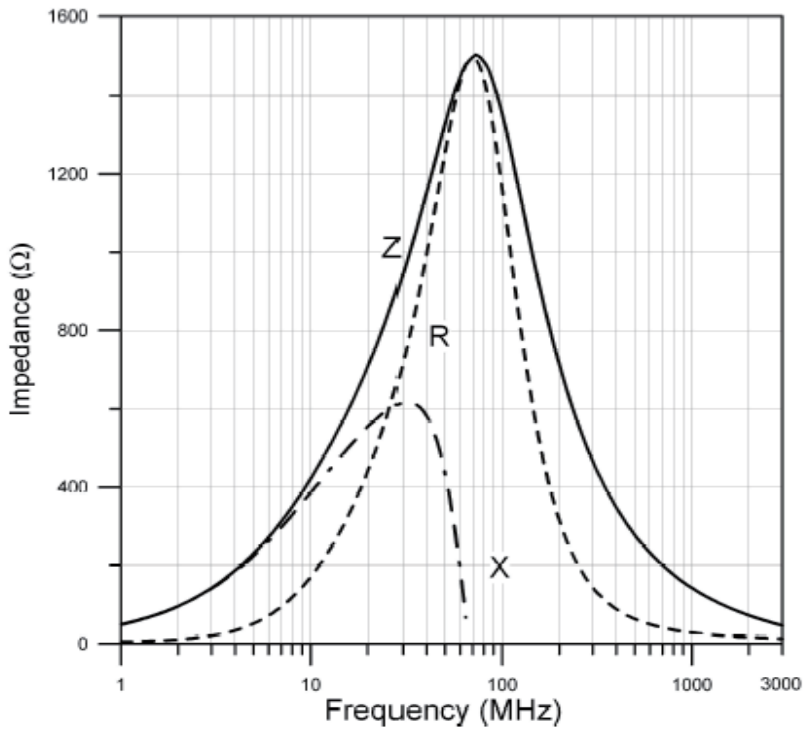
Properties	Z @100MHZ (Ω)	R _{DC} (Ω)	I _R (mA)
Value	1500	0.30	1000
Tolerance	$\pm 25\%$		


General Information:

Operating Temperature: -55°C to $+125^{\circ}\text{C}$

				UNIT: MM	 KOHER (Shanghai) Electronic Co.,Ltd
				SCALE:	
				SHEET: 1/2	
				APPROVAL: TQ	
				SIZE: A4	
A	20-FEB-19	PDF	LBD	PACKING UNIT: 4000 pcs	DESCRIPTION: Chip Ferrite Bead High Current Type
REV	DATE	FILE	BY		PART NO: FBHA0805-152-102R

Typical Electrical Characteristics:



				UNIT: MM	 KOHER (Shanghai) Electronic Co.,Ltd
				SCALE:	
				SHEET: 2/2	
				APPROVAL: TQ	
				SIZE: A4	DESCRIPTION: Chip Ferrite Bead High Current Type
A	20-FEB-19	PDF	LBD	PACKING UNIT: 4000 pcs	PART NO: FBHA0805-152-102R
REV	DATE	FILE	BY		