

REVISION RECORD				
REV	ECN	DESCRIPTION	DRFT	DATE
A0		NEW		21.05.17

NOTES1:  
 UL Standard  
 1. Rated voltage/current : 300V / 8A  
 2. Withstanding voltage : AC1600V/1Min.  
 3. Wire range : 24~16AWG

IEC Standard

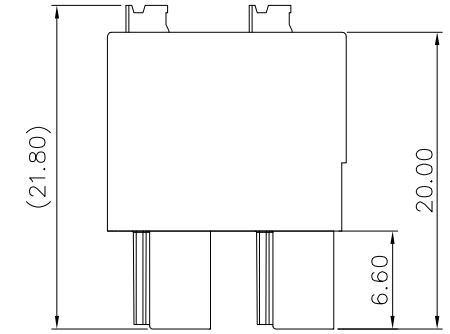
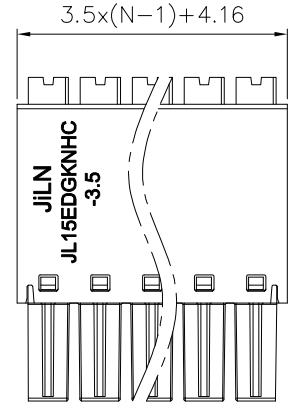
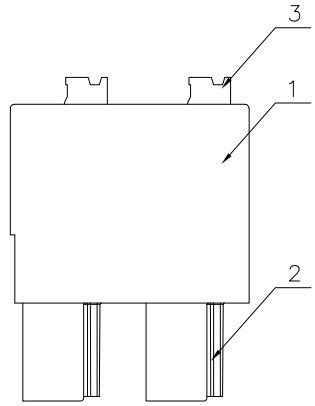
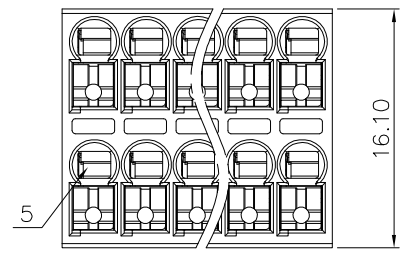
	2	2	3
Pollution degree	II	III	III
Overvoltage category	II	III	III
Rate impulse voltage(KV)	2.5KV	2.5KV	2.5KV
Rate voltage(V)	320V	160V	160V
Rate current(A)	8A		

2. Wire range : 0.2~1.0mm<sup>2</sup>, 1.5mm<sup>2</sup>(sol)

NOTES2:  
 1. Dimension shall be interpreted per ASME Y14.5-2009  
 2. Pitch : 3.50mm, Poles : N=04~48P  
 3. Stripping length : 8~9mm  
 4. Operating temperature: -40°C~+105°C  
 5. Undimensioned tolerances:

Pitch range in mm		Nominal dimension range in mm						
TO	Over	Over	Over	Over	Over	Over	0.1/10	
6	10	10	24	30	60	100	150	
±0.15	±0.20	±0.30	±0.30	±0.50	±0.70	±1.00	±1.30	±2'

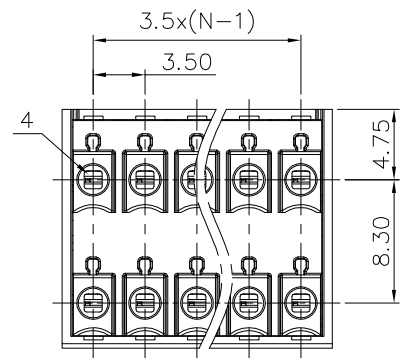
6. RoHS Compliance



### Ordering Information

**JL15EDGKNHC-350 XX G 0 1**

Pitch 350=3.50PH  
 No. of pins 4P~48P  
 Housing Color B=Black, G=Green, U=Blue, R=Red, W=White, Y=Yellow, O=Orange, E=Grey  
 Packing 0=Pe bag, T=Tube, A=Tray



5	Spring	Stainless Steel	/
4	Clamp	Copper alloy	Sn Plated
3	Button	PA66+GF	UL94V-0
2	Cover	PA66	UL94V-0
1	Housing	PA66	UL94V-0
ITEM	NAME OF PART	MATERIAL	NOTES

DRAW	SHUANGPING ZHENG	SCALE	FIT
CHECK	LICHAD LIU	UNIT	mm
APPROVE	YONGLIANG GAO	SIZE	A4
		SHEET	1/1
		PROJ.	

**JILN** 东莞市锦凌电子有限公司  
 DONGGUAN JINLING ELECTRONIC CO.,LTD

PART NO. JL15EDGKNHC-350XXG01  
 TITLE: JL15EDGKNHC-3.5-2XNP 插拔式母座/绿色