

520961-1 ✓ ACTIVE



Positive Lock | Mark I, Positive Lock 250

TE Internal #: 520961-1

Receptacle, Receptacle, 1 Position, Straight, UL 94V-2, Black, Nylon,
Contact Mating Retention, Positive Lock 250, Crimp Terminal
Housings

[View on TE.com >](#)

Terminals & Splices > Terminal Housings, Insulation Sleeves & Blocks > Crimp Terminal Housings



Terminal Type: **Receptacle**

Connector & Housing Type: **Receptacle**

Number of Positions: **1**

Terminal Orientation: **Straight**

UL Flammability Rating: **UL 94V-2**

Features

Product Type Features

Sealable	No
Connector System	Wire-to-Board, Wire-to-Wire
Connector & Contact Terminates To	Wire & Cable
Connector & Housing Type	Receptacle

Configuration Features

Number of Positions	1
---------------------	---

Body Features

Primary Product Color	Black
-----------------------	-------

Contact Features

Terminal Type	Receptacle
Terminal Orientation	Straight
Contact Mating Retention	With

Mechanical Attachment



Mating Alignment Type	Polarization
Mating Retention Type	Latch
Mating Alignment	With
Connector Mounting Type	Cable Mount (Free-Hanging)

Housing Features

Housing Material	Nylon
------------------	-------

Dimensions

	.475 in
--	---------

Usage Conditions

Operating Temperature Range	-40 – 130 °C[-40 – 266 °F]
-----------------------------	----------------------------

Industry Standards

UL Flammability Rating	UL 94V-2
------------------------	----------

Packaging Features

Packaging Quantity	1
Packaging Method	Carton

Product Compliance

[For compliance documentation, visit the product page on TE.com>](#)

EU RoHS Directive 2011/65/EU	Compliant
EU ELV Directive 2000/53/EC	Compliant
China RoHS 2 Directive MIIT Order No 32, 2016	No Restricted Materials Above Threshold
EU REACH Regulation (EC) No. 1907/2006	Current ECHA Candidate List: JUNE 2024 (241) Candidate List Declared Against: JUNE 2024 (241) Does not contain REACH SVHC
Halogen Content	Low Halogen - Br, Cl, F, I < 900 ppm per homogenous material. Also BFR/CFR/PVC Free
Solder Process Capability	Not applicable for solder process capability

Product Compliance Disclaimer

This information is provided based on reasonable inquiry of our suppliers and represents our current actual knowledge based on the information they provided. This information is subject to change. The part numbers that TE has identified as EU RoHS compliant have a maximum concentration of 0.1% by weight in homogenous materials for lead, hexavalent chromium, mercury, PBB, PBDE, DBP, BBP, DEHP, DIBP, and 0.01% for cadmium, or qualify for an exemption to these limits as defined in the Annexes of Directive 2011/65/EU (RoHS2). Finished electrical and electronic equipment products will be CE marked as required by Directive 2011/65/EU. Components may not be CE marked. Additionally, the part

numbers that TE has identified as EU ELV compliant have a maximum concentration of 0.1% by weight in homogenous materials for lead, hexavalent chromium, and mercury, and 0.01% for cadmium, or qualify for an exemption to these limits as defined in the Annexes of Directive 2000/53/EC (ELV). Regarding the REACH Regulation, the information TE provides on SVHC in articles for this part number is based on the latest European Chemicals Agency (ECHA) 'Guidance on requirements for substances in articles' posted at this URL: <https://echa.europa.eu/guidance-documents/guidance-on-reach>

Compatible Parts



TE Part # 154718-3
PL 250 REC 0.7-2.0 MM2 0.406 TPBR



TE Part # 63812-1
250 PL MKI REC. 18-14AWG TPBR



TE Part # 154717-3
PL 250 REC TERMINAL 14-11 AWG TPBR



TE Part # 1-160759-1
250 PL MKI REC. 20-15AWG PTBR



TE Part # 790319-3
250 PL MKI REC. 12-10AWG PTBR



TE Part # 1969877-1
187 HIGH TEMP POS LOCK HSG LCP



TE Part # 928083-1
PL 187 REC HSG 1P NYLON NAT

Also in the Series | Mark I



Automotive Housings(1)



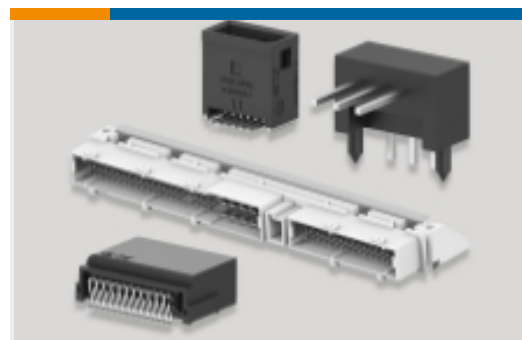
Automotive Terminals(4)



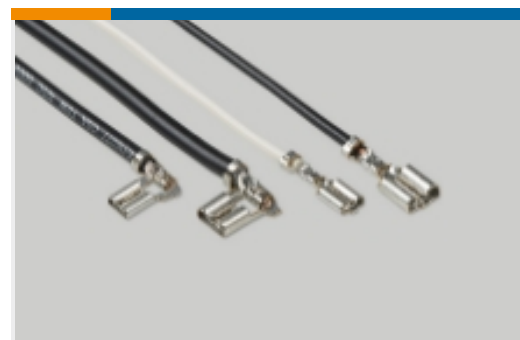
Crimp Terminal Housings(24)



Insertion & Extraction Tools(1)



PCB Headers & Receptacles(20)



Quick Disconnects(29)

Also in the Series | Positive Lock 250



Automotive Terminals(1)



Crimp Terminal Housings(190)



Insertion & Extraction Tools(3)

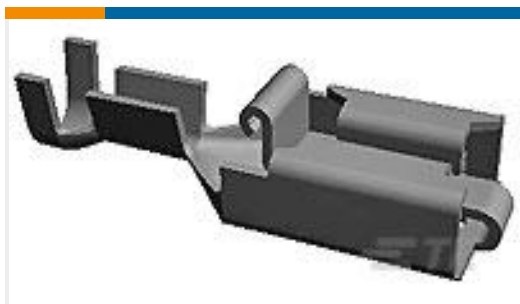


Insulation Boots & Sleeves(4)



Quick Disconnects(185)

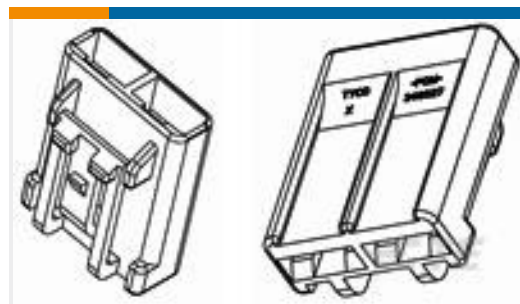
Customers Also Bought



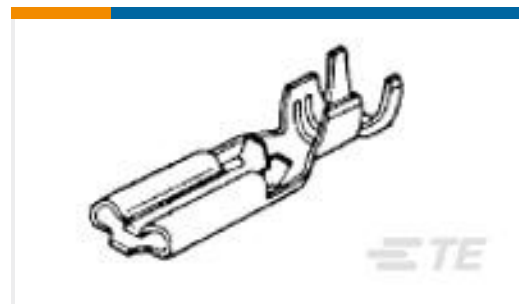
TE Part #154718-3
PL 250 REC 0.7-2.0 MM2 0.406 TPBR



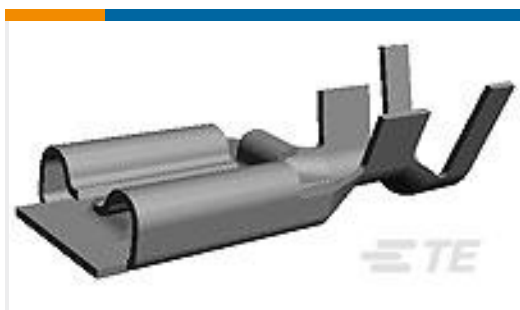
TE Part #160927-4
FF 250 REC 1.0-2.5MM2 TPPB



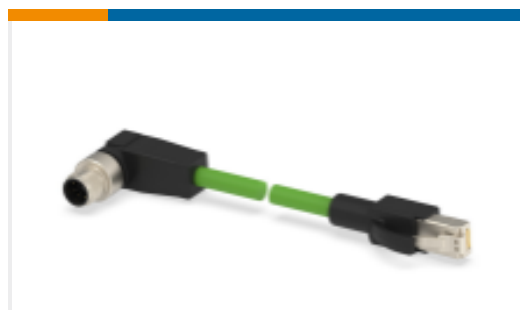
TE Part #346027-1
FASTIN FASTON HOUSING RECEPTACLE



TE Part #175411-1
110 PL REC. 24-20AWG PTBR



TE Part #173724-1
187 PL EX REC. 20-14AWG PTBR



TE Part #TCX38821112-004
RPC-M12X-8MR-3.0SH-RJ45-8MS-PVC



TE Part #2302454-3
1-PORT MATENET FRAME,UJP, COD C



TE Part #3-1703884-2
2POS,SHORT CIRC SPR,HOUSING, ASSY,CODC



TE Part #L9000105-01
Antenna 2.45GHz WRT Monopole RPS



TE Part #2287714-1
0.50/2.8 SEALED COVER ASSY 62P TYPE-II

Documents



Product Drawings

PL 250 HOUSING BLACK NYLON

English

CAD Files

Customer View Model

[ENG_CVM_CVM_520961-1_AA.2d_dxf.zip](#)

English

3D PDF

3D

Customer View Model

[ENG_CVM_CVM_520961-1_AA.3d_igs.zip](#)

English

Customer View Model

[ENG_CVM_CVM_520961-1_AA.3d_stp.zip](#)

English

By downloading the CAD file I accept and agree to the [Terms and Conditions](#) of use.

Datasheets & Catalog Pages

Positive Lock Receptacles

English

Product Specifications

Application Specification

English

Agency Approvals

UL Report

English