

CES-STPG-GY-2X9 - Cable sleeve



1410440

<https://www.phoenixcontact.com/us/products/1410440>

Please be informed that the data shown in this PDF document is generated from our online catalog. Please find the complete data in the user documentation. Our general terms of use for downloads are valid.



Cable sleeve, small, no. of conductors: 2, type: Round cable, slotted, external cable diameter: 2x 8.4 mm ... 8.7 mm, material: SEBS (halogen-free), color: gray, length: 29.5 mm, width: 19.5 mm, height: 17 mm

Product description

Slotted cable sleeve

Commercial data

Item number	1410440
Packing unit	10 pc
Minimum order quantity	1 pc
Sales key	BF67
Product key	BF7CCX
Catalog page	Page 681 (C-2-2019)
GTIN	4046356776271
Weight per piece (including packing)	6.07 g
Weight per piece (excluding packing)	6.07 g
Customs tariff number	40169997
Country of origin	PL

CES-STPG-GY-2X9 - Cable sleeve

1410440

<https://www.phoenixcontact.com/us/products/1410440>

Technical data

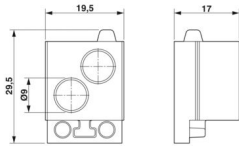
Product properties

Product type	Cable sleeve
No. of conductors	2

Data management status

Article revision	03
------------------	----

Dimensions

Dimensional drawing	
Width	19.5 mm
Height	17 mm
Length	29.5 mm

Material specifications

Material	SEBS (halogen-free)
Flammability rating according to UL 94	V0

Cable/line

External cable diameter	2x 8.4 mm ... 8.7 mm
-------------------------	----------------------

Characteristics

Seal size	small
Design, Format	Round cable
Design, Cable seal	slotted

Environmental and real-life conditions

Ambient conditions

Degree of protection	IP54
Ambient temperature (operation)	-40 °C ... 80 °C (static)

CES-STPG-GY-2X9 - Cable sleeve

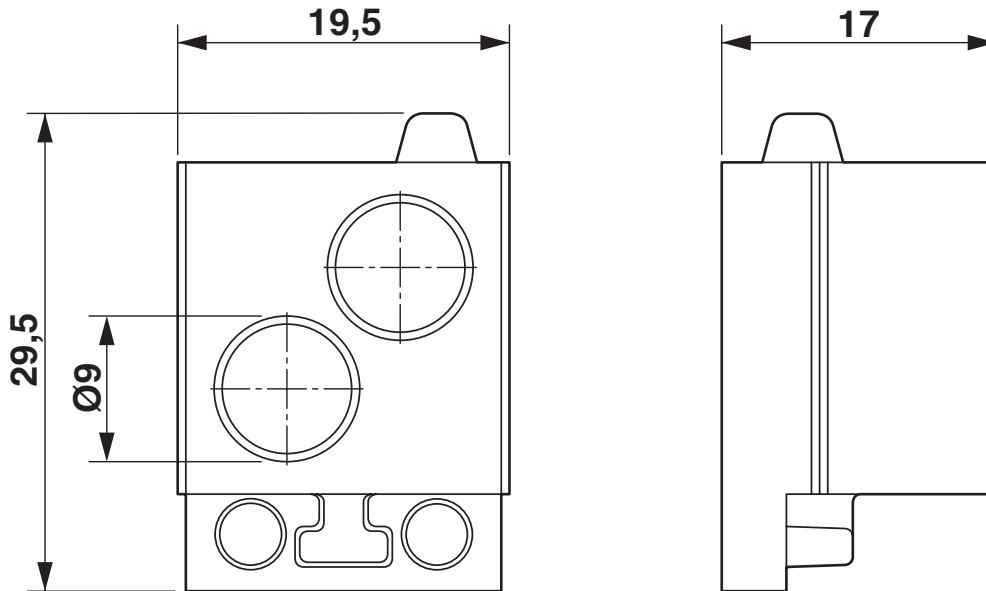


1410440

<https://www.phoenixcontact.com/us/products/1410440>

Drawings

Dimensional drawing



Dimensional drawing

CES-STPG-GY-2X9 - Cable sleeve



1410440

<https://www.phoenixcontact.com/us/products/1410440>

Approvals

To download certificates, visit the product detail page: <https://www.phoenixcontact.com/us/products/1410440>



cUL Recognized
Approval ID: E255026



UL Recognized
Approval ID: E255026

DNV

Approval ID: TAE00003VJ

cULus Recognized

CES-STPG-GY-2X9 - Cable sleeve



1410440

<https://www.phoenixcontact.com/us/products/1410440>

Classifications

ECLASS

ECLASS-11.0	27144425
ECLASS-12.0	27144425
ECLASS-13.0	27144425

ETIM

ETIM 9.0	EC000451
----------	----------

UNSPSC

UNSPSC 21.0	39121400
-------------	----------

CES-STPG-GY-2X9 - Cable sleeve



1410440

<https://www.phoenixcontact.com/us/products/1410440>

Environmental product compliance

EU RoHS

Fulfills EU RoHS substance requirements	Yes, No exemptions
---	--------------------

China RoHS

Environment friendly use period (EFUP)	EFUP-E
	No hazardous substances above the limits

EU REACH SVHC

REACH candidate substance (CAS No.)	No substance above 0.1 wt%
-------------------------------------	----------------------------

Phoenix Contact 2024 © - all rights reserved
<https://www.phoenixcontact.com>

Phoenix Contact USA
586 Fulling Mill Road
Middletown, PA 17057, United States
(+717) 944-1300
info@phoenixcon.com