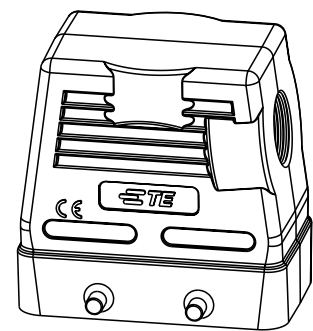
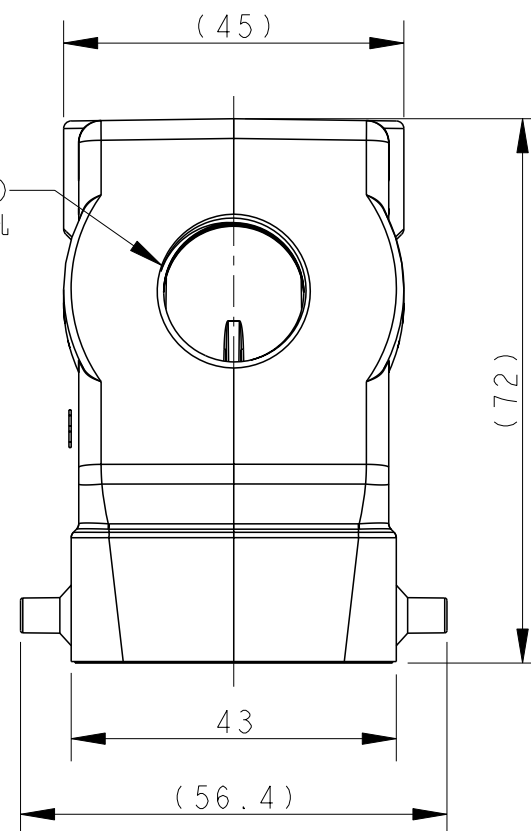
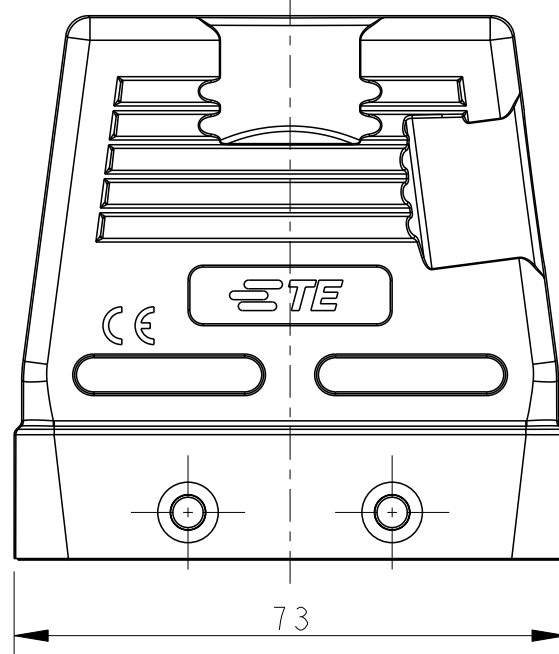


THIS DRAWING IS UNPUBLISHED. RELEASED FOR PUBLICATION 20  
 © COPYRIGHT 20 BY - ALL RIGHTS RESERVED.

P	LTR	DESCRIPTION	DATE	DWN	APVD
	A	INITIAL	20OCT2016	RL	CW
	B	ECR-20-008181	28JUN2020	WQR	CW
	B1	ECR-21-103925	28MAY2021	WQR	CW



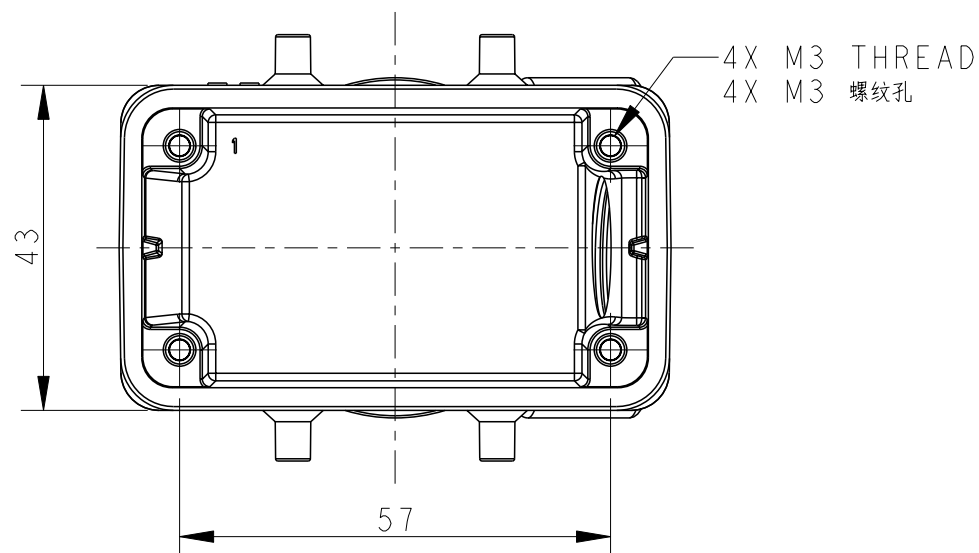
SCALE 1:2



PG/M THREAD  
PG/M 螺纹孔


NOTES:  
 1. TECHNICAL CHARACTERISTICS:  
 HOOD MATERIAL: DIE CAST ALUMINIUM ALLOY  
 SURFACE: POWDER COATED, GREY  
 DEGREE OF PROTECTION: IP65 (MATED)

注释:  
 1. 技术参数:  
 上壳材料: 铝合金  
 表面处理: 灰色粉末喷涂  
 防护等级: IP65(配合)



4X M3 THREAD  
4X M3 螺纹孔

T1230100116-008	H10B-TSH-PG16	H10B HOOD, SIDE ENTRY PG16, 4 EAR HIGH CONSTRUCTION, POWDER COATED, GREY, ENVISION H10B上壳, 侧出PG16, 4耳, 高结构, 灰色粉末喷涂, 远景	PG16
T1230100120-008	H10B-TSH-M20	H10B HOOD, SIDE ENTRY M20, 4 EAR HIGH CONSTRUCTION, POWDER COATED, GREY, ENVISION H10B上壳, 侧出M20, 4耳, 高结构, 灰色粉末喷涂, 远景	M20
T1230100121-008	H10B-TSH-PG21	H10B HOOD, SIDE ENTRY PG21, 4 EAR HIGH CONSTRUCTION, POWDER COATED, GREY, ENVISION H10B上壳, 侧出PG21, 4耳, 灰色粉末喷涂, 高结构	PG21
T1230100125-008	H10B-TSH-M25	H10B HOOD, SIDE ENTRY M25, 4 EAR HIGH CONSTRUCTION, POWDER COATED, GREY, ENVISION H10B上壳, 侧出M25, 4耳, 高结构, 灰色粉末喷涂, 远景	M25
T1230100129-008	H10B-TSH-PG29	H10B HOOD, SIDE ENTRY PG29, 4 EAR HIGH CONSTRUCTION, POWDER COATED, GREY, ENVISION H10B上壳, 侧出PG29, 4耳, 高结构, 灰色粉末喷涂, 远景	PG29
T1230100132-008	H10B-TSH-M32	H10B HOOD, SIDE ENTRY M32, 4 EAR HIGH CONSTRUCTION, POWDER COATED, GREY, ENVISION H10B上壳, 侧出M32, 4耳, 高结构, 灰色粉末喷涂, 远景	M32
T1230100140-008	H10B-TSH-M40	H10B HOOD, SIDE ENTRY M40, 4 EAR HIGH CONSTRUCTION, POWDER COATED, GREY, ENVISION H10B上壳, 侧出M40, 4耳, 高结构, 灰色粉末喷涂, 远景	M40
PART NUMBER 料号	PART DESCRIPTION 描述		PG/M THREAD PG/M螺纹孔

THIS DRAWING IS A CONTROLLED DOCUMENT.		DWN ROY LIU 20OCT2016	 TE Connectivity NAME H10B-TSH-PG/M											
DIMENSIONS: mm		CHK KYLE ZENG 20OCT2016												
TOLERANCES UNLESS OTHERWISE SPECIFIED:		APVD CHRIS WANG 20OCT2016												
<table border="1"> <tr><td>0 PLC</td><td>±-</td></tr> <tr><td>1 PLC</td><td>±-</td></tr> <tr><td>2 PLC</td><td>±-</td></tr> <tr><td>3 PLC</td><td>±-</td></tr> <tr><td>4 PLC</td><td>±-</td></tr> <tr><td>ANGLES</td><td>±-</td></tr> </table>		0 PLC			±-	1 PLC	±-	2 PLC	±-	3 PLC	±-	4 PLC	±-	ANGLES
0 PLC	±-													
1 PLC	±-													
2 PLC	±-													
3 PLC	±-													
4 PLC	±-													
ANGLES	±-													
MATERIAL	FINISH	APPLICATION SPEC 114-137013	SIZE A3	CAGE CODE -	DRAWING NO C-T12301001XX008	RESTRICTED TO -								
		WEIGHT -	CUSTOMER DRAWING		SCALE 1:1	SHEET 1 OF 1	REV B1							

Printed on 17 Jun 2021 10:10 (China Standard Time) from TE343646