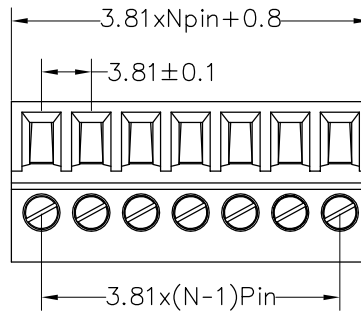


HSF RoHS

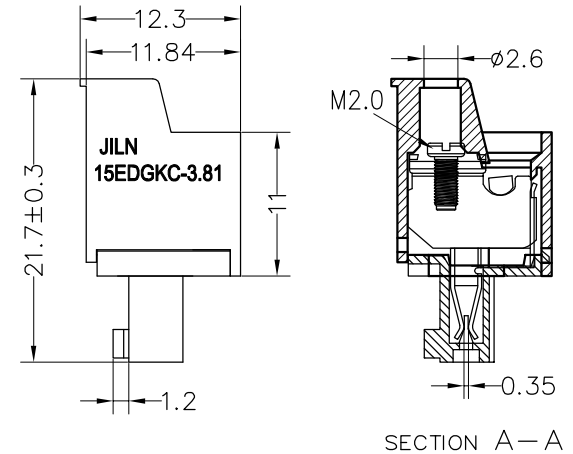
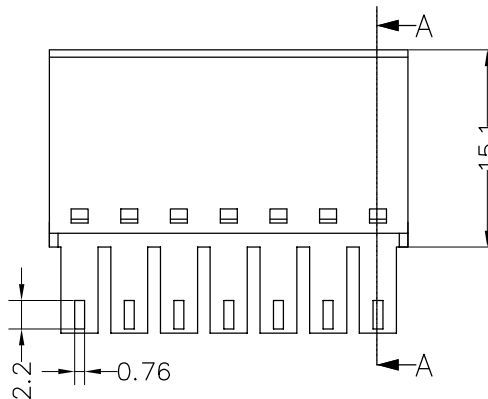
SPECIFICATIONS

Rated(额定参数): 300V,8A
 Dielectric strength(抗电强度): AC1500V/1 Minute
 Insulation Resistance(绝缘电阻):1000MΩ Min
 Contact Resistance(接触电阻):20mΩ Max
 Screw Torque(扭矩): 0.2Nm (1.7Lb.in)
 Wire Range(线径):28~16AWG
 Strip length(剥线长度):6~7mm
 Temp. range(操作温度): -40℃~+105℃
 MAX Soldering(瞬时温度):+250℃,5s

Housing Material(塑件): PA66 (UL94 V-0)
 Contact(端子): Phosphor Bronze, Tin plating(磷铜镀锡)
 Screw (螺丝): M2.0 Steel, Zinc plating(钢,镀锌)



PITCH RANGE IN MM			NOMINAL DIMENSION RANGE IN MM				
TO	OVER	OVER	TO	OVER	OVER	OVER	OVER
6	6	10	30	30	60	100	150
10	10	24	60	60	100	150	150
±0.10	±0.15	±0.25	±0.30	±0.30	±0.50	±0.70	±1.00



Ordering Information

JL 15EDGKC - 381 XX G X 1

Pitch 381=3.81PH
 No.of pins 2P~24P
 Housing Color
 B=Black
 G=Green
 U=Blue
 R=Red
 W=White
 Y=Yellow
 O=Orange
 E=Grey
 Packing
 0=Pe bag
 A=Tray
 T=Tube

OPERATION		DRAW	Yiyusheng	18.05.26	SCALE	FIT	JILN ® 深圳市锦凌电子有限公司 SHENZHEN JINLING ELECTRONIC CO.,LTD Tel: 86-755-2997-5806/5802 Fax: 86-755-2997-5992	
X.X	±0.30				UNIT	mm		
X.XX	±0.20	CHECK			SIZE	A4	PART NO.	JL15EDGKC-381XXGX1
X.XXX	±0.10				SHEET	1/1	TITLE:	3.81 Pitch Female Pluggable Terminal Blocks
Angle	±3°	APPROVE			PROJ.			
DIM	TOL							

A0	2018.05.26	NEW DRAWING	
REV	DATE	MODIFICATION DESCRIPTION	CHANGE