

NOTES1:

- UL Standard
- 1. Rated voltage/current : 300V / 30A
- 2. Withstanding voltage : AC1600V/1Min.

IEC Standard

1. Pollution degree	2
Overvoltage category	III
Rate impulse voltage(KV)	4KV
Rate voltage(V)	400V
Rate current(A)	32A

NOTES2:

- 1. Dimension shall be interpreted per ASME Y14.5-2009
- 2. Pitch : 7.62mm, Poles : N=02~12P
- 3. Operating temperature: -30°C~+120°C
- 4. Undimensioned tolerances:

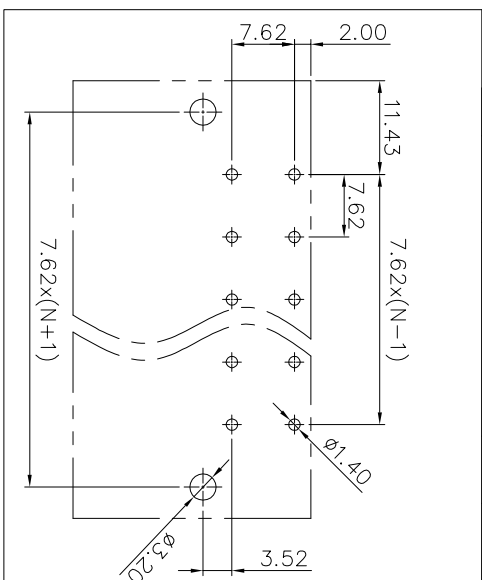
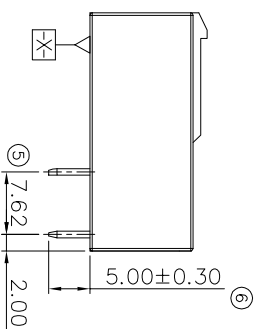
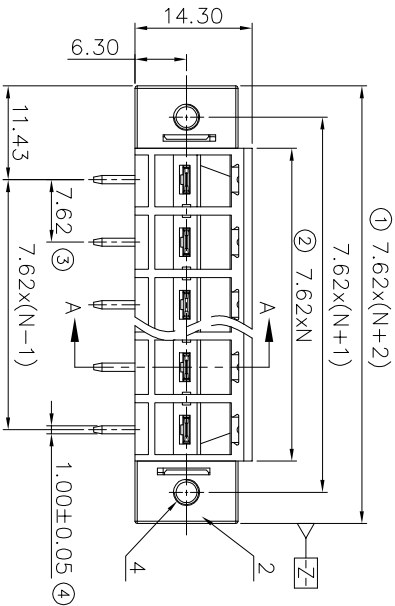
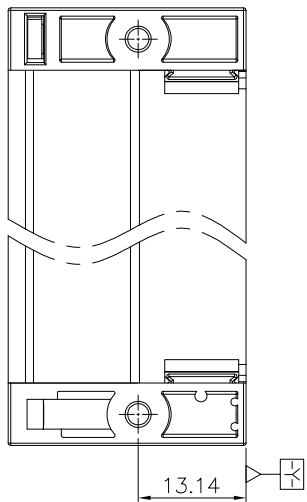
Pitch range in mm		Nominal dimension range in mm			
Over	TO	Over	TO	Over	TO
6	10	30	60	100	150
10	24	30	60	100	150
		±0.15/±0.20		±0.30/±0.50/±0.70/±1.00/±1.30	
				±2°	

5. RoHS Compliance

Ordering Information
JL5EDGRM-762 XX G 0 1

Pitch 762=7.62mm
No. of pins 2P, 3P, 4P, 12P
Housing Color
P=Black
B=Green
U=Blue
R=Red
W=White
Y=Yellow
D=Orange
E=Grey

Packing
0=Pe bag
T=Tube
A=Tray



4	Nut	Steel	M3/Zn Plated
3	Pin header	Copper	Sn Plated
2	Housing 2	PBT	UL94V-0
1	Housing 1	PBT	UL94V-0

DRAW	SHUANGPING ZHENG
CHECK	LICHAD LIU
APPROVE	YONGLIANG GAO

SCALE	FIT
UNIT	mm
SIZE	A4
SHEET	1/1
PRD	

PART NO.		JL5EDGRM-762XXG01
TITLE:		JL5EDGRM-762-XXP 插拔式公座/绿色

REVISION RECORD				
REV	ECN	DESCRIPTION	DRFT	DATE
A0		NEW		20.12.02