

Subminiature, Waterproof Duplex Fiber Optic Connectors

MF10B Series

Waterproof 2 Positions Bayonet Locking System



Reliable bayonet lock

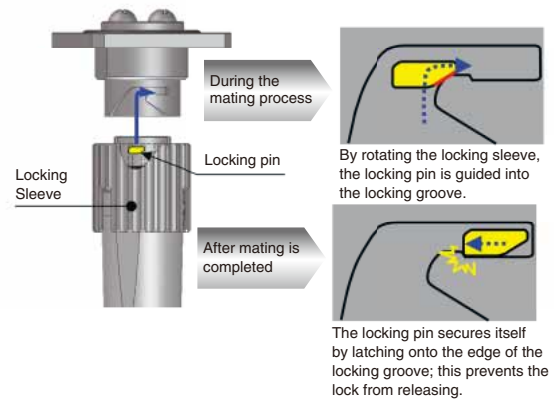


Fig.1

■ Features

1. Extremely small structure

This miniature twin-core waterproof connector utilizes a $\phi 1.25$ mm MU ferrule integrated in an internal housing and shell.

2. Integrated structure with excellent vibration and shock resistance

The bayonet lock assures that connectors can be mated easily and securely. In addition, the locking system prevents accidental disengagement, resulting in excellent resistance to vibration and shock, conforming to JIS E 4031 type 5 (vibration) and JIS E 4032 type 2 (shock) for railcar parts.

3. Compatible with hi-flex cables

For the plug side, a hi-flex optical fiber cable is available for Military Specification applications (external cable diameter $\phi 5$ or $\phi 6.5$ mm is the standard specification). This light and flexible cable is also suitable for in-line connection of long-distant transmission in outdoor events.

*Before using other types of cables, please contact your local Hirose sales representative.

4. Easy ferrule access

To access the plug ferrule for cleaning, remove the sleeve from the front of the connector to expose the front of the ferrule end face.

5. Multiple mounting options

A four-screw, square flange mount and hexagonal jam nut mount options are available. The four-screw flange type can accept any screw pitch from 18 to 20mm.

Easy access to the ferrule for cleaning

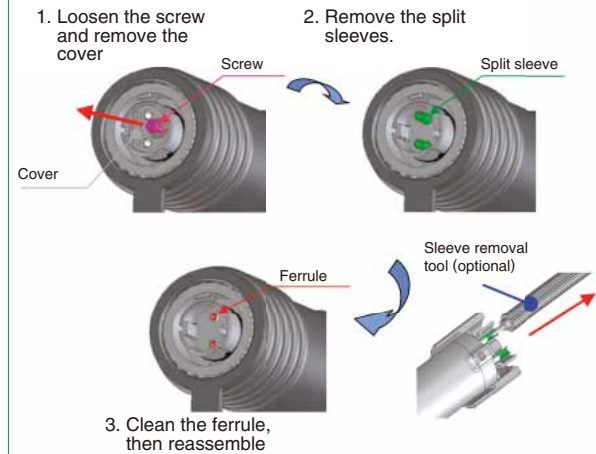


Fig.2

Panel mounting options

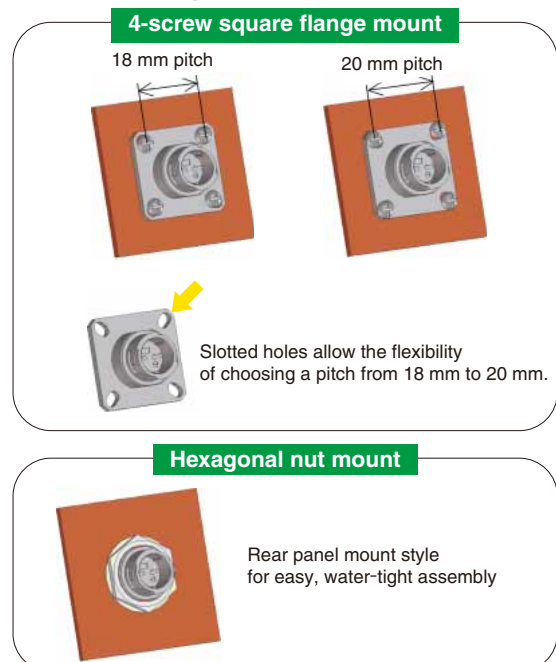


Fig.3

Product Specifications

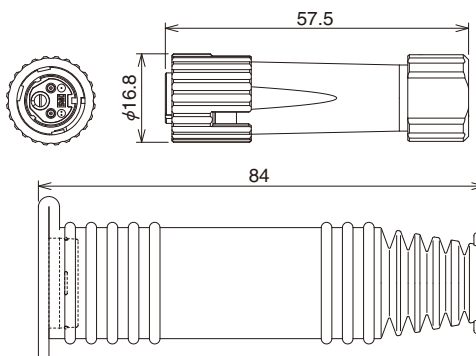
Rating	Operating temperature range	-40°C to +85°C	Storage temperature range	-25°C to +75°C (AT PACKING)
Item	Testing method		Specifications	
Optical characteristic	Insertion loss	Wavelength : 1310±20nm (LD)		SM : 1.0 dB max. (Typical : 0.2dB) GI : 0.5 dB max. (Typical 0.1dB max.)
	Mechanical characteristics	Durability	5,000 mating cycles	
Tensile strength (axial)		Axial tensile force: 100 N (φ5mm cable), 200 N (φ6.5mm cable), or 400 N (cable with tension member)		
Flex resistant		Load of 500g, 10,000 times at 90 degrees, right and left direction		
Vibration		Amplitude of 2.3mm, acceleration 14.8G, vertical direction for 4 hours and right and left for 2 hours Based on JIS E 4031 Type 5		
Shock		Impact of 6 G, duration of 0.025 s ±25%, 4 times Based on JIS E 4032 Type 2		
Environmental characteristics	Humidity (Temperature/humidity-cycle)	Temperature : -10°C to +65°C Humidity : 90% to 96%, 10 cycles (240 hours)		Insertion loss fluctuation after test : 0.3 dB max. No loose, broken or cracked parts
	Temperature cycle	-40°C to +75°C, 42 cycles		
	Heat resistance	240 hours at +85°C		
	Cold resistance	240 hours at -40°C		
	Salt mist	5% for 1,000 hours (with the connector hood installed)		No heavy corrosion ruin the function
	Water proof	1 minute at internal air pressure of 4.9 kPa		No air leakage

Materials / Finish

Component	Material	Finish	Remarks
Housing	Zinc die-casting	Nickel plated / Chrome plated (Black)	—————
Stopper	Synthetic resin	—————	UL94V-0
Rubber hood	Synthetic rubber	—————	—————
Spring	Piano wire	Zinc plated	—————
Split sleeve	Zirconia	—————	—————

■ Plug

● Cable without strain relief (Cable diameter: 5 mm, 6.5 mm)



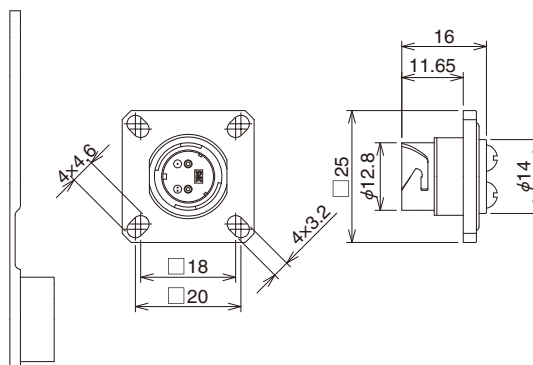
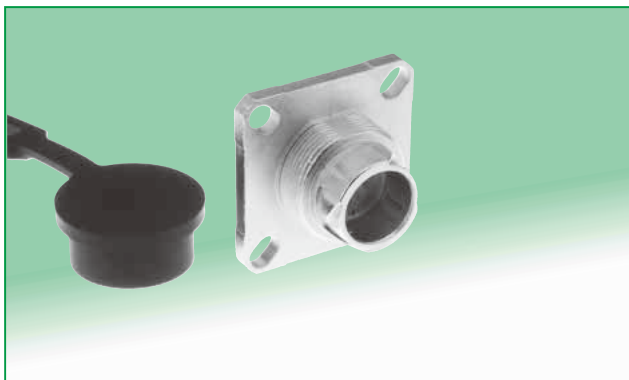
Part No.	HRS No.	Plating
MF10B-WP5C01-0200(31)	709-1020-8 31	Nickel
MF10B-WP5CH01-0200(31)	709-1015-8 31	Chrome (black)
MF10B-WP6.5C01-0200(31)	709-1004-1 31	Nickel
MF10B-WP6.5CH01-0200(31)	709-1007-0 31	Chrome (black)

● Cable with strain relief (Cable diameter : 7mm)

Part No.	HRS No.	Plating
MF10B-WPS7CH01-0200(31)	709-1024-9 31	Chrome (black)

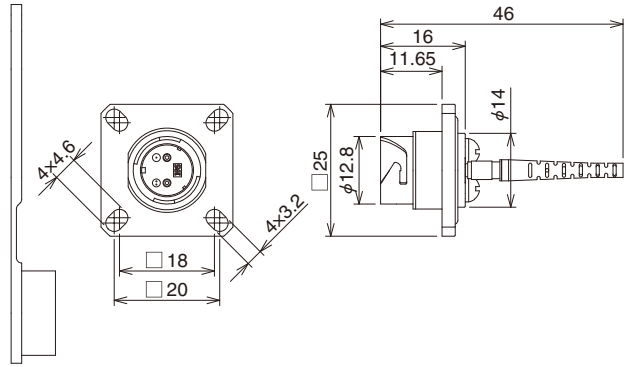
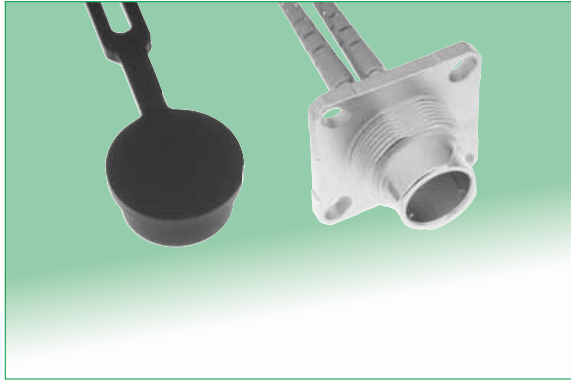
■ Receptacle

● φ0.9 fiber, M3 screw type



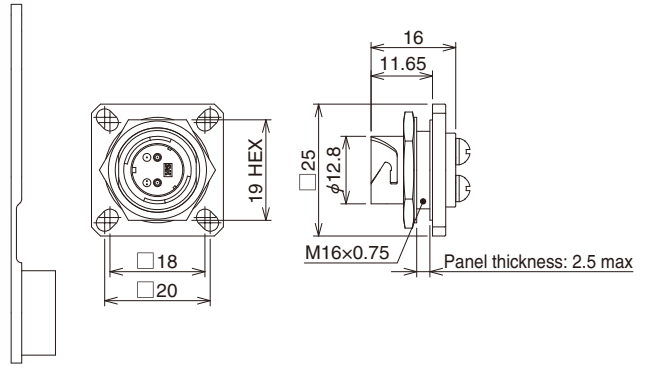
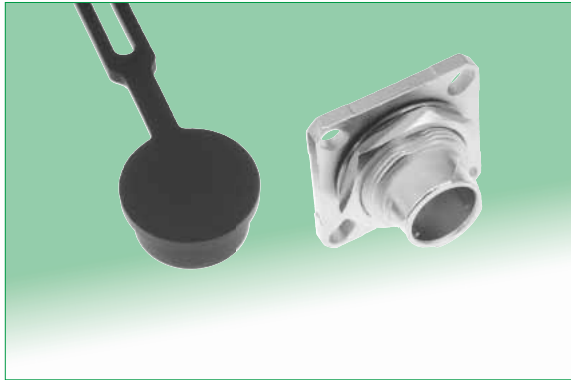
Part No.	HRS No.	Plating
MF10B-WRF01-0200(31)	709-1005-4 31	Nickel
MF10B-WRFH01-0200(31)	709-1008-2 31	Chrome (black)

● $\phi 2\text{mm}$ cable, M3 screw type



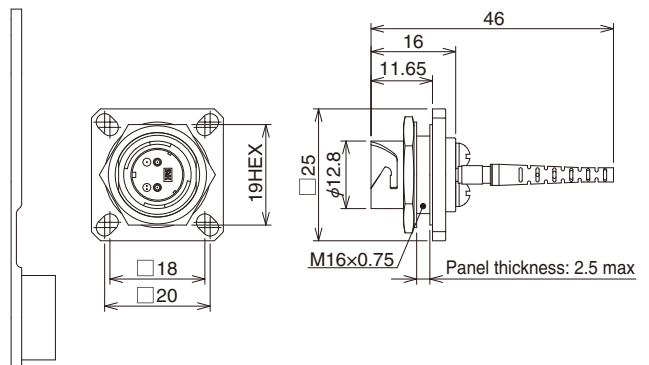
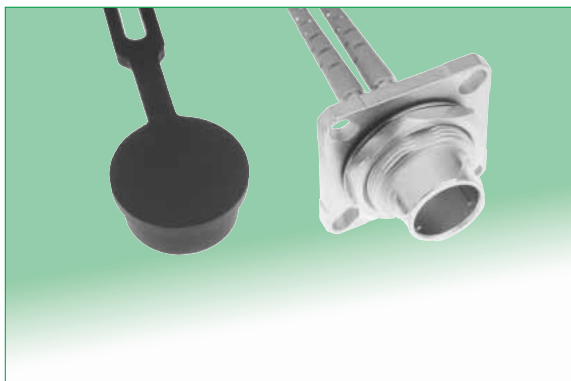
Part No.	HRS No.	Plating
MF10B-WRFC01-0200(31)	709-1014-5 31	Nickel
MF10B-WRFCH01-0200(31)	709-1032-7 31	Chrome (black)

● $\phi 0.9\text{mm}$ fiber, hexagon nut type



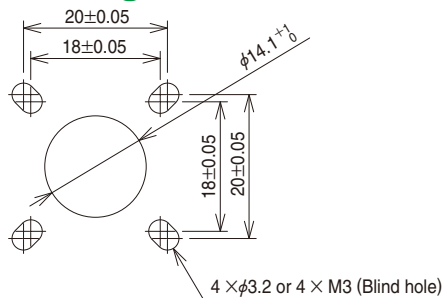
Part No.	HRS No.	Plating
MF10B-WRB01-0200(31)	709-1010-4 31	Nickel
MF10B-WRBH01-0200(31)	709-1025-1 31	Chrome (black)

● $\phi 2\text{mm}$ cable, hexagon nut type

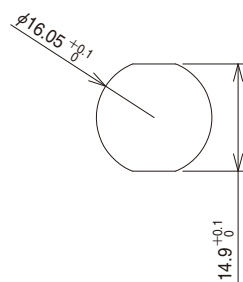


Part No.	HRS No.	Plating
MF10B-WRBC01-0200(31)	709-1013-2 31	Nickel
MF10B-WRBCH01-0200(31)	709-1033-0 31	Chrome (black)

◆ Panel Mounting Dimensions



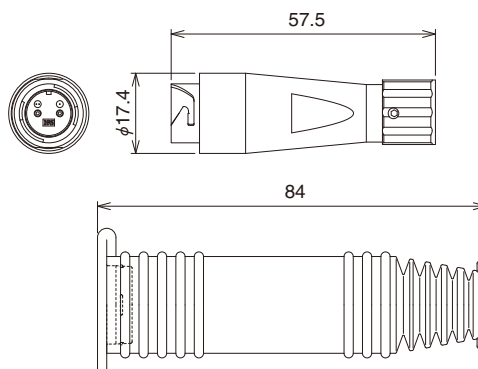
M3 screw type



For hexagon nut type

■ In-Line Jack

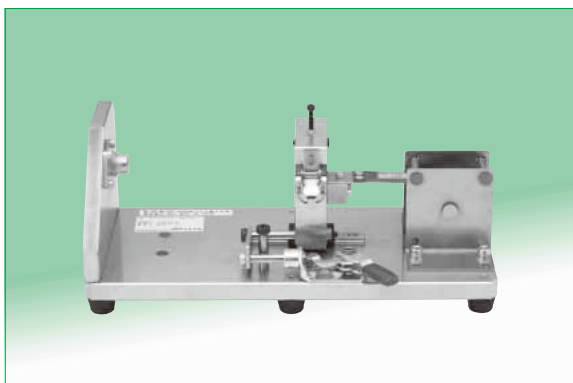
● Cable without strain relief (Cable diameter: 6.5 mm)



Part No.	HRS No.	Plating
MF10B-WJ6.5C01-0200(31)	709-1011-7 31	Nickel
MF10B-WJ6.5CH01-0200(31)	709-1035-5 31	Chrome (black)

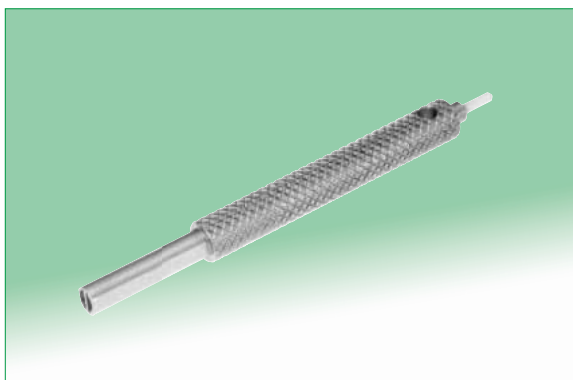
◆ Tools

● Plug assembly tool



Part No.	HRS No.
MF10B-WP7C01-0200/CVMD	902-6063-0

● Split sleeve removal tool



Part No.	HRS No.
MF10B-T1	709-1034-2

USA:

HIROSE ELECTRIC (U.S.A.), INC. HEADQUARTERS CHICAGO OFFICE
2300 Warrenville Road, Suite 150,
Downers Grove, IL 60515
Phone : +1-630-282-6700
<http://www.hirose.com/us/>

USA:

HIROSE ELECTRIC (U.S.A.), INC. SAN JOSE OFFICE
2841 Junction Ave, Suite 200
San Jose, CA. 95134
Phone : +1-408-253-9640
Fax : +1-408-253-9641
<http://www.hirose.com/us/>

USA:

HIROSE ELECTRIC (U.S.A.), INC. DETROIT OFFICE (AUTOMOTIVE)
17197 N. Laurel Park Drive, Suite 253,
Livonia, MI 48152
Phone : +1-734-542-9963
Fax : +1-734-542-9964
<http://www.hirose.com/us/>

USA:

HIROSE ELECTRIC (U.S.A.), INC. BOSTON OFFICE
300 Brickstone Square Suite 201,
Andover, MA 01810
Phone : +1-978-662-5255

THE NETHERLANDS:

HIROSE ELECTRIC EUROPE B.V.
Hogehillweg #8 1101 CC Amsterdam Z-0
Phone : +31-20-6557460
Fax : +31-20-6557469
<http://www.hirose.com/eu/>

GERMANY:

HIROSE ELECTRIC EUROPE B.V. GERMAN BRANCH
Schoenbergstr. 20, 73760 ostfildern
Phone : +49-711-456002-1
Fax : +49-711-456002-299
<http://www.hirose.com/eu/>

GERMANY:

HIROSE ELECTRIC EUROPE B.V. NUREMBERG OFFICE
Neumeyerstrasse 22-26, 90411 Nurnberg
Phone : +49-911 32 68 89 63
Fax : +49-911 32 68 89 69
<http://www.hirose.com/eu/>

GERMANY:

HIROSE ELECTRIC EUROPE B.V. HANOVER OFFICE
Bayernstr. 3, Haus C 30855 Langenhagen, Germany
Phone : +49-511 97 82 61 30
Fax : +49-511 97 82 61 35
<http://www.hirose.com/eu/>

FRANCE:

HIROSE ELECTRIC EUROPE B.V. PARIS OFFICE
130 Avenue Joseph Kessel, Bat E, 78960
Voisins le Bretonneux, France
Phone : +33-1-85764886
Fax : +33-1-85764823
<http://www.hirose.com/eu/>

UNITED KINGDOM:

HIROSE ELECTRIC EUROPE BV (UK BRANCH)
4 Newton Court, Kelvin Drive, Knowlhill,
Milton Keynes, MK5 8NH
Phone : +44-1908 202050
Fax : +44-1908 202058
<http://www.hirose.com/eu/>

CHINA:

HIROSE ELECTRIC (CHINA) CO., LTD. (SHANGHAI, HEADQUARTERS)
18, Enterprise Center Tower 2, 209# Gong He
Road, Jing'an District, Shanghai, CHINA 200070
Phone : +86-21-6391-3355
Fax : +86-21-6391-3335
<http://www.hirose.com/cn/>

CHINA:

HIROSE ELECTRIC (CHINA) CO.,LTD. BEIJING BRANCH
A1001, Ocean International Center, Building 56# East 4th
Ring Middle Road, ChaoYang District, Beijing, 100025
Phone : +86-10-5165-9332
Fax : +86-10-5908-1381
<http://www.hirose.com/cn/>

CHINA:

HIROSE ELECTRIC (CHINA) CO., LTD. SHENZHEN BRANCH
Room 09-13, 19/F, Office Tower Shun Hing Square, Di Wang Commercial Centre,
5002 Shen Nan Dong Road, Shenzhen City, Guangdong Province, 518008
Phone : +86-755-8207-0851
Fax : +86-755-8207-0873
<http://www.hirose.com/cn/>

HONG KONG:

HIROSE ELECTRIC HONGKONG TRADING CO., LTD.
Room 1001, West Wing, Tsim Sha Tsui Centre, 66
Mody Road, Tsim Sha Tsui East, Kowloon, Hong Kong
Phone : +852-2803-5338
Fax : +852-2591-6560
<http://www.hirose.com/hk/>

TAIWAN:

HIROSE ELECTRIC TAIWAN CO., LTD.
103 8F, No.87, Zhengzhou Rd., Taipei
Phone : +886-2-2555-7377
Fax : +886-2-2555-7355
<http://www.hirose.com/tw/>

KOREA:

HIROSE KOREA CO.,LTD.
143, Gongdan 1-daero, Siheung-si,
Gyeonggi-do, 15084, Korea
Phone : +82-31-496-7000
Fax : +82-31-496-7100
<http://www.hirose.co.kr/>

SINGAPORE:

HIROSE ELECTRIC SINGAPORE PTE. LTD.
03, Anson Road, #20-01, Springleaf Tower,
Singapore 079909
Phone : +65-6324-6113
Fax : +65-6324-6123
<http://www.hirose.com/sg/>

INDIA:

HIROSE ELECTRIC SINGAPORE PTE. LTD. DELHI LIAISON OFFICE
Office NO.552, Regus-Green Boulevard, Level5, Tower C,
Sec62, Plot B-9A, Block B, Noida, 201301, Uttar Pradesh, India
Phone : +91-12-660-8018
Fax : +91-120-4804949
<http://www.hirose.com/sg/>

INDIA:

HIROSE ELECTRIC SINGAPORE PTE. LTD. BANGALORE LIAISON OFFICE
Unit No-403, 4th Floor, No-84, Barton Centre, Mahatma
Gandhi (MG) Road, Bangalore 560 001, Karnataka, India
Phone : +91-80-4120 1907
Fax : +91-80-4120 9908
<http://www.hirose.com/sg/>

MALAYSIA:

PENANG REPRESENTATIVE OFFICE
73-3-1, Ideal@The One, Jalan Mahsuri, Bayan
Lepas Penang, 11950, Malaysia
Phone : +604-648-5536
<http://www.hirose.com/sg/>

THAILAND:

BANGKOK OFFICE (REPRESENTATIVE OFFICE)
Unit 4703, 47th FL., 1 Empire Tower, South Sathorn
Road, Yannawa, Sathorn, Bangkok 10120 Thailand
Phone : +66-2-686-1255
Fax : +66-2-686-3433
<http://www.hirose.com/sg/>



HIROSE ELECTRIC CO.,LTD.

2-6-3,Nakagawa Chuoh,Tsuzuki-Ku,Yokohama-Shi 224-8540,JAPAN
TEL: +81-45-620-3526 Fax: +81-45-591-3726
<http://www.hirose.com>
<http://www.hirose-connectors.com>

Mouser Electronics

Authorized Distributor

Click to View Pricing, Inventory, Delivery & Lifecycle Information:

[Hirose Electric:](#)

[MF10B-WP5CH01-0200\(31\)](#) [MF10B-WP5CH02-0200\(31\)](#) [MF10B-WP6.5C01-0200\(31\)](#) [MF10B-WPS7CH01-0200\(31\)](#)
[MF10B-WRB01-0200\(31\)](#) [MF10B-WRF01-0200\(31\)](#) [MF10B-WRFC01-0200\(31\)](#) [MF10B-WRFCH01-0200\(31\)](#)
[MF10B-WRFH01-0200\(31\)](#)