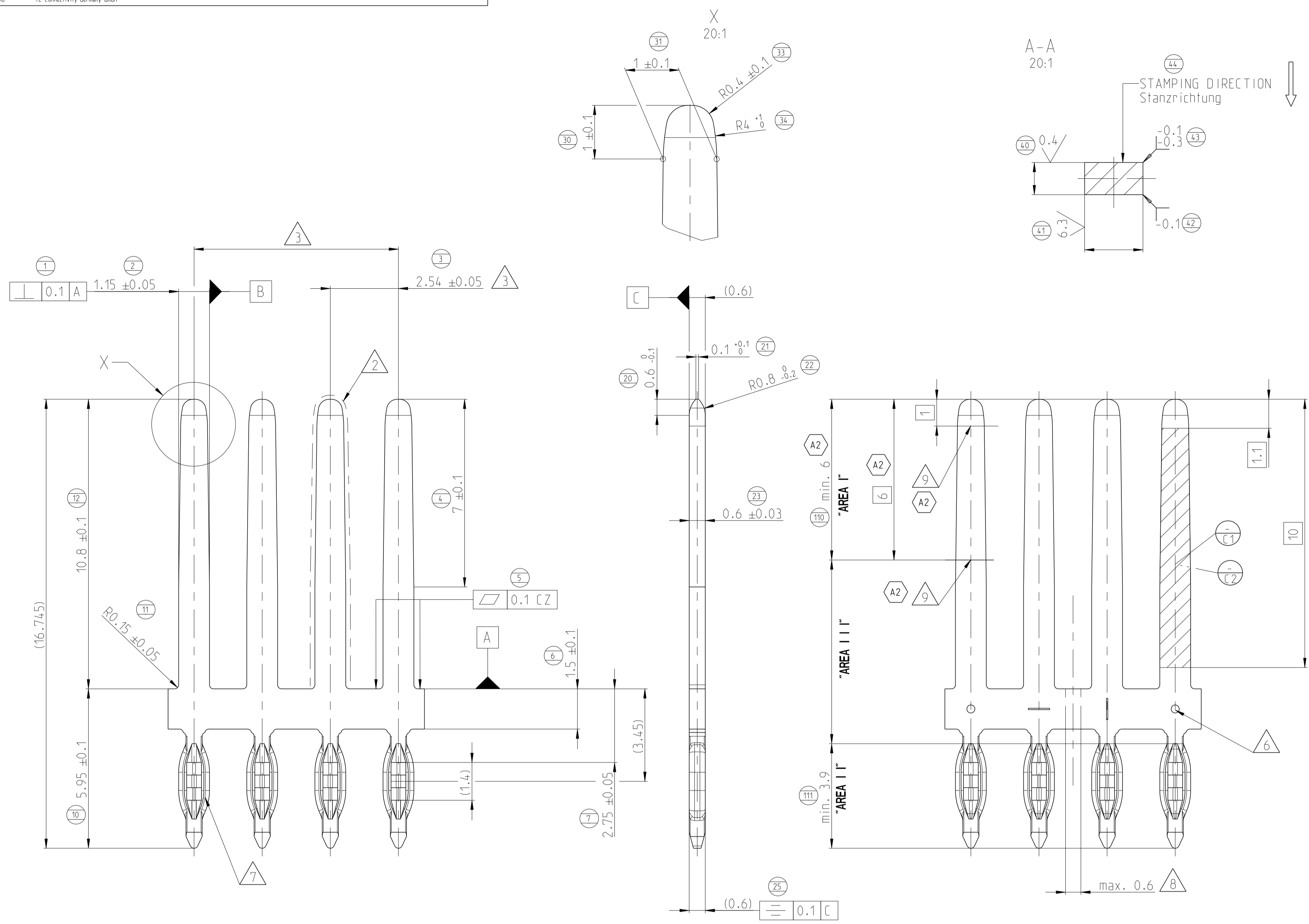
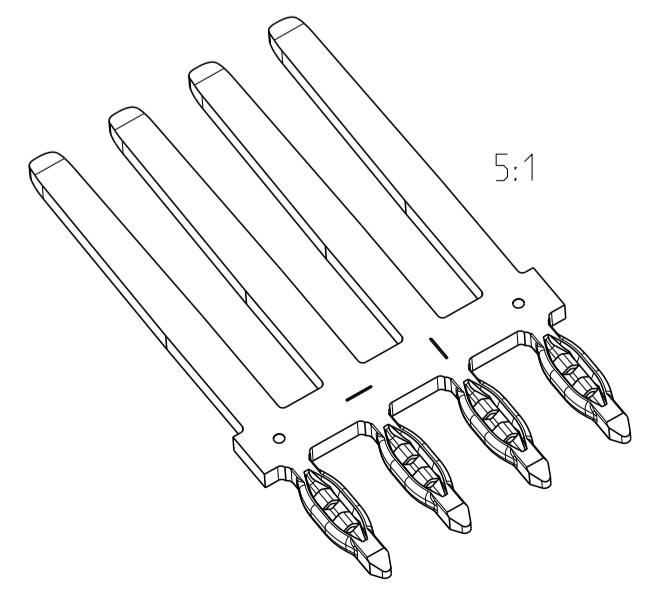
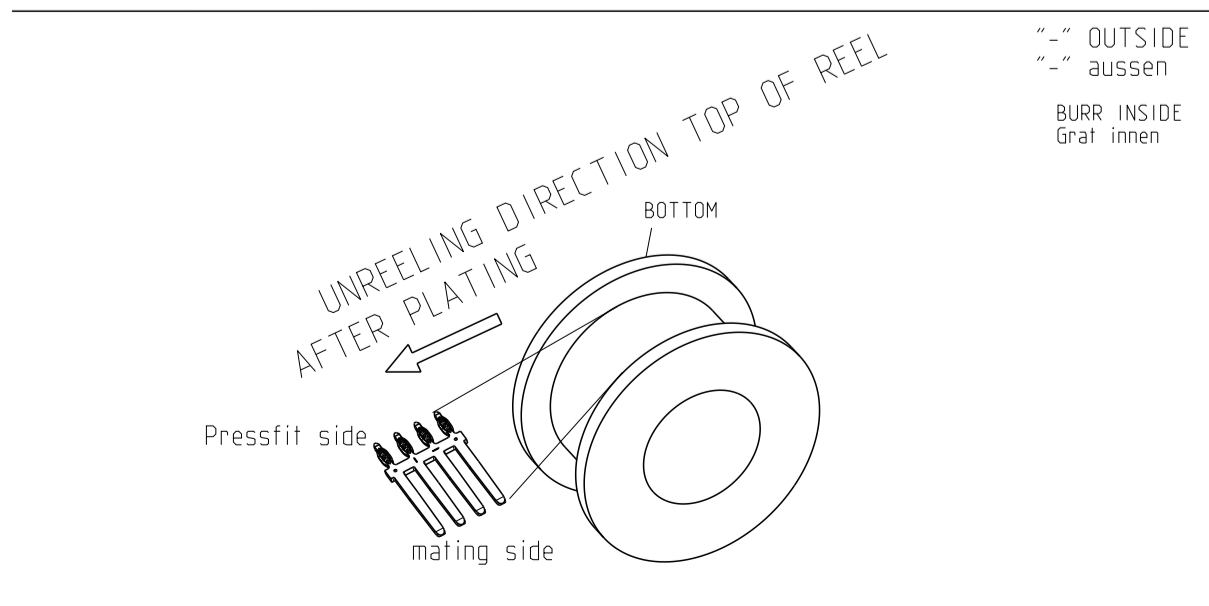


PROJECT NO. PRJ-1B-000903940		REVISIONS			
#	LTN	DESCRIPTION	DATE	DMN	APVD
A		NEW DRAWING	18JUL2018	KK	SR
A1		reworked area III	24JUL2018	KK	SR
A2		removed note 10/PACKAGING/removed -7/-8	13MAR2019	KK	SR



- 1 IN CASE OF DOUBT GERMAN TEXT IS VALID
Im Zweifelsfall gilt der deutsche Text
- 2 NO BURR, STEP OR SHARP EDGES PERMITTED
Kein Grat, Versatz oder scharfe Kanten zulaessig
- 3 PITCH DIMENSION TOLERANCES PER 30 TABS ±0.2
Rastermass Toleranz pro 30 Kontakte ±0.2
- 4 TOLERANCE ACC. TO DIN EN ISO 8015, DIN EN ISO 14405-1
GENERAL TOL. ACC. TO DIN ISO 2768-mH, EXCEPT ANGLE DIM. (SEE TITLE BLOCK)
Tolerierung nach DIN EN ISO 8015, DIN EN ISO 14405-1
Allgemeintoleranzen nach DIN ISO 2768-mH, ausser Winkelmasse (siehe Schriftkopf)
- 5 SEE PACKAGING SPEC. V2312435
siehe Verpackungsspezifikation V2312435
- 6 STAMP MARK
Stanzzeitenkennzeichnung
- 7 MULTISPRING ACC. TO TE SPEC. 108-90800
Multispring nach TE Spec. 108-90800
- 8 MINTBULG ALLOW IN THIS AREA (AVOIDANCE OF SABERSHAPENESS)
Praegewulst in diesem Bereich zulaessig (zur Vermeidung der Saebelkruemmung)
- 9 MEASURING POINTS FOR PLATING
Messpunkte fuer Oberflaeche

VERSIONS	AREA I	AREA II	AREA III	MATERIAL	PACKAGING
1-2312435-1	3-6 µm Ag OVER 1-3 µm Ni WITH TARNISH PROTECTION/mit Antaufschutz	0.4-1.5 µm Sn OVER MIN. 0.8 µm Ni	min. 0.1 µm Ni / Sn AND Ag ALLOWED	CuNiSi	1 REEL PER BOX 1 Spule pro Box
1-2312435-0	0.8-2 µm Sn OVER 1.3-3 µm Ni	0.4-1.5 µm Sn OVER MIN. 0.8 µm Ni	min. 0.1 µm Ni / Sn ALLOWED	CuNiSi	1 REEL PER BOX 1 Spule pro Box
2312435-6	3-6 µm Ag OVER 1-3 µm Ni WITH TARNISH PROTECTION/mit Antaufschutz	0.4-1.5 µm Sn OVER MIN. 0.8 µm Ni	min. 0.1 µm Ni / Sn AND Ag ALLOWED	CuSn6	1 REEL PER BOX 1 Spule pro Box
2312435-5	0.8-2 µm Sn OVER 1.3-3 µm Ni	0.4-1.5 µm Sn OVER MIN. 0.8 µm Ni	min. 0.1 µm Ni / Sn ALLOWED	CuSn6	2 REELS PER BOX 2 Spulen pro Box
2312435-4	0.8-2 µm Sn OVER 1.3-3 µm Ni	0.4-1.5 µm Sn OVER MIN. 0.8 µm Ni	min. 0.1 µm Ni / Sn ALLOWED	CuSn6	1 REEL PER BOX 1 Spule pro Box



THIS DRAWING IS A CONTROLLED DOCUMENT.		DMN K.Kappes 20FEB2018	TE Connectivity	
DIMENSIONS: mm		CHK S.Reichel 20FEB2018	NAME TAB 1.2x0.6, Multispring	
TOLERANCES UNLESS OTHERWISE SPECIFIED: 0 PLC ± 1 PLC ± 2 PLC ± 3 PLC ± 4 PLC ± ANGLES ±1°		APVD -	PRODUCT SPEC -	
MATERIAL -		APVD -	APPLICATION SPEC -	
FINISH -		WEIGHT 0.09g	SIZE A1	RESTRICTED TO -
CUSTOMER DRAWING		SCALE 10:1	CAGE CODE -	DRAWING NO. C=2312435
		SHEET 1	OF 1	REV. A2