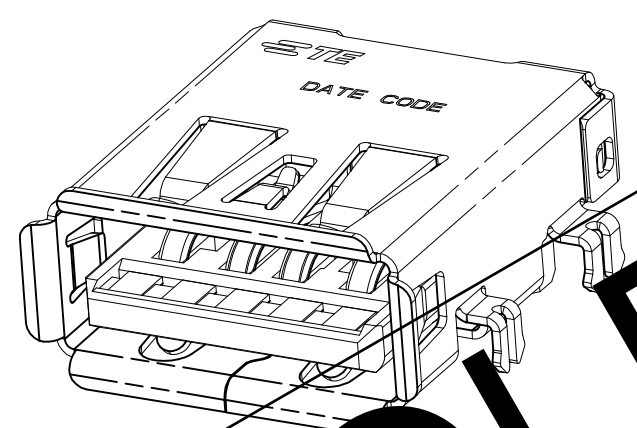
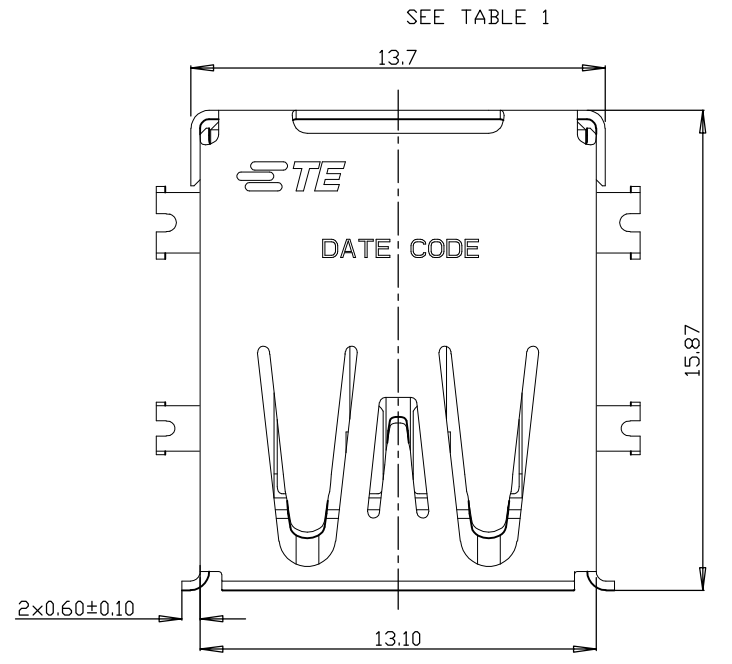


THIS DRAWING IS UNPUBLISHED. RELEASED FOR PUBLICATION
 © COPYRIGHT - By - ALL RIGHTS RESERVED.

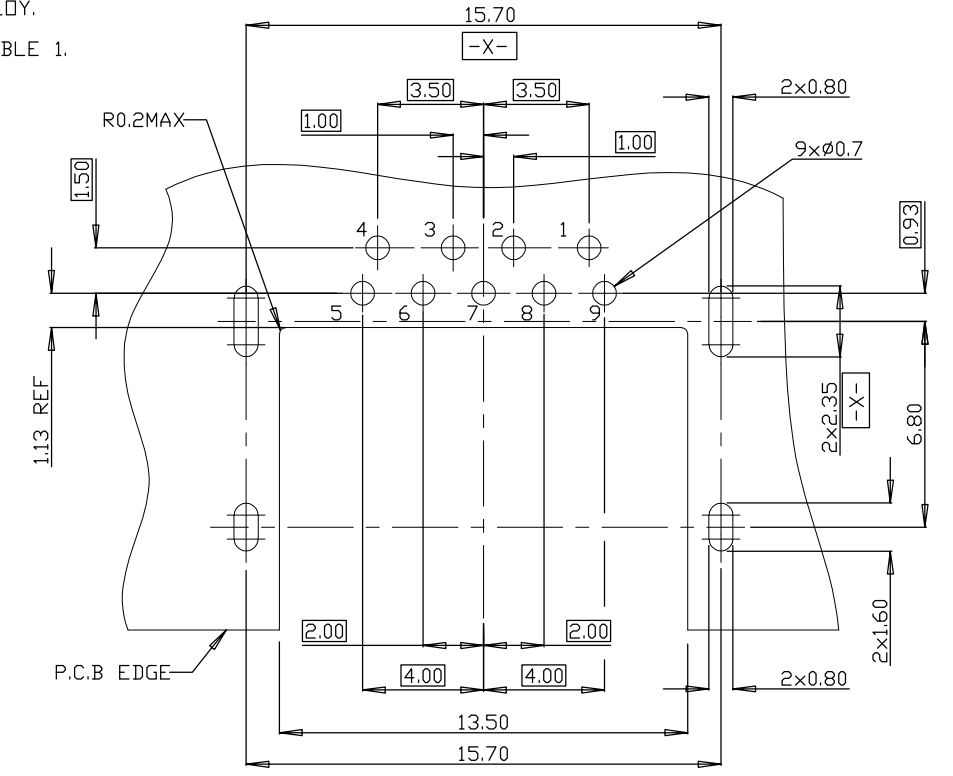
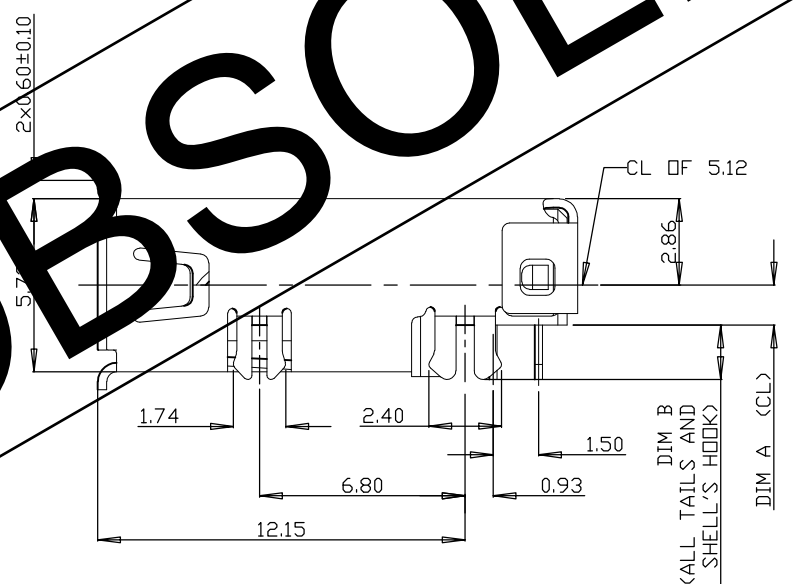
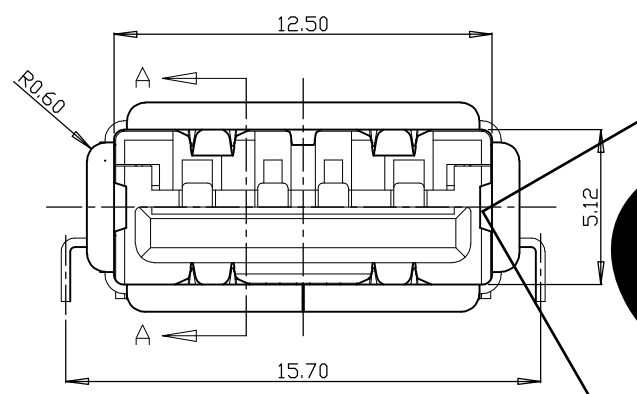
PIN ASSIGNMENT	1	2	3	4	5	6	7	8	9
SIGNAL NAME	VBUS	D-	D+	GND	STDA_SSRX-	STDA_SSRX+	GND_DRAIN	STDA_SSTX-	STDA_SSTX+
REMARK	USB 2.0 CONTACT PIN				USB 3.0 CONTACT PIN				

LOC	DIST	P	LTR	DESCRIPTION	DATE	DWN	APVD
ES	00		A	INITIAL RELEASE	25SEP2012	F.L	S.Y
			A3	RELEASED PER ECR-13-009213	05JUNE2013	F.L	S.Y
			A4	OBSOLETE PER ECR-18-017259	06NOV2018	T.Z	S.L
			-	-	-	-	-

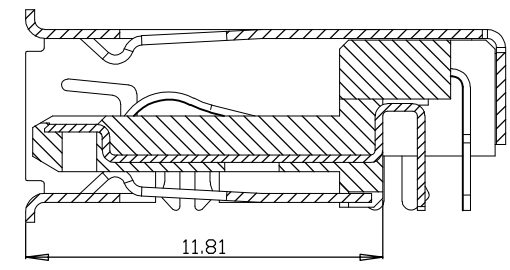
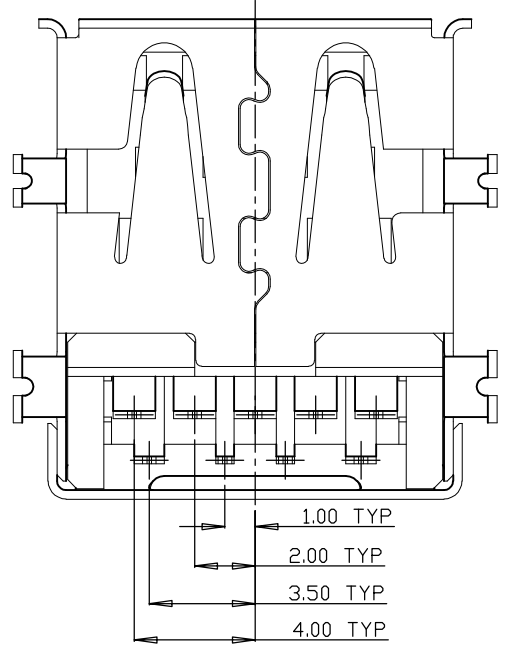


NOTE:
 1 MATERIAL: HOUSING: THERMOPLASTIC, BLACK; LOW HALOGEN SPECIFICATION: CHLORINE 900 PPM MAX. BROMINE 900 PPM MAX. CHLORINE AND BROMINE 1500 PPM MAX. CONTACT: COPPER ALLOY; SHELL: STEEL.
 2 FINISH: CONTACT: GOLD PLATING ON CONTACT AREA, SEE TABLE, 54um MIN. MATTE TIN PLATING ON SOLDER TAIL AREA, 7um NICKEL UNDER PLATING. SHELL: SEE TABLE.
 3 MATERIAL: HOUSING: THERMOPLASTIC, BLUE (PANTONE 300C). LOW HALOGEN SPECIFICATION: CHLORINE 900 PPM MAX. BROMINE 900 PPM MAX. CHLORINE AND BROMINE 1500 PPM MAX. CONTACT: COPPER ALLOY. SHELL: STEEL.
 4 PIN ASSIGNMENT: SEE TABLE 1.

OBSOLETE



RECOMMENDED PCB LAYOUT, CONNECTOR MOUNTING SIDE VIEW (THICKNESS=1.25 mm, TOLERANCE= ±0.03 mm)



SECTION A-A

NICKEL + MATTEE TIN	0.13um MIN.	1.50	0.14	⚠	1932847-3
NICKEL + MATTEE TIN	0.76um MIN.	1.80	1.32	⚠	1932847-2
NICKEL + MATTEE TIN	0.76um MIN.	1.80	1.32	⚠	1932847-1
SHELL PLATING	CONTACT GOLD PLATING	DIM B	DIM A	MATERIAL	P/N

THIS DRAWING IS A CONTROLLED DOCUMENT.

DWN	FRANCIS LEE	25SEP2012
CHK	MARTIN LI	25SEP2012
APVD	STEVEN YAO	25SEP2012
PRODUCT SPEC	NAME	
APPLICATION SPEC	NAME	
WEIGHT	-	

TE Connectivity

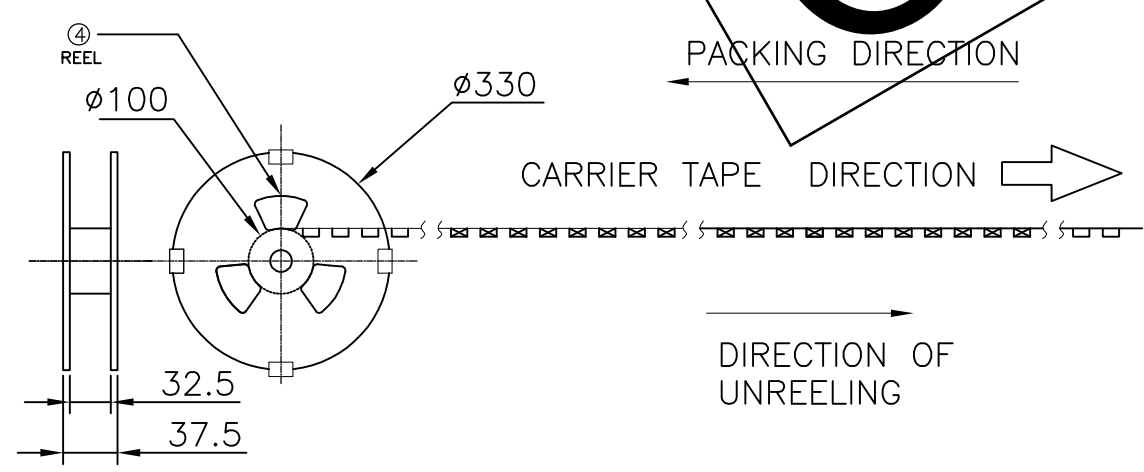
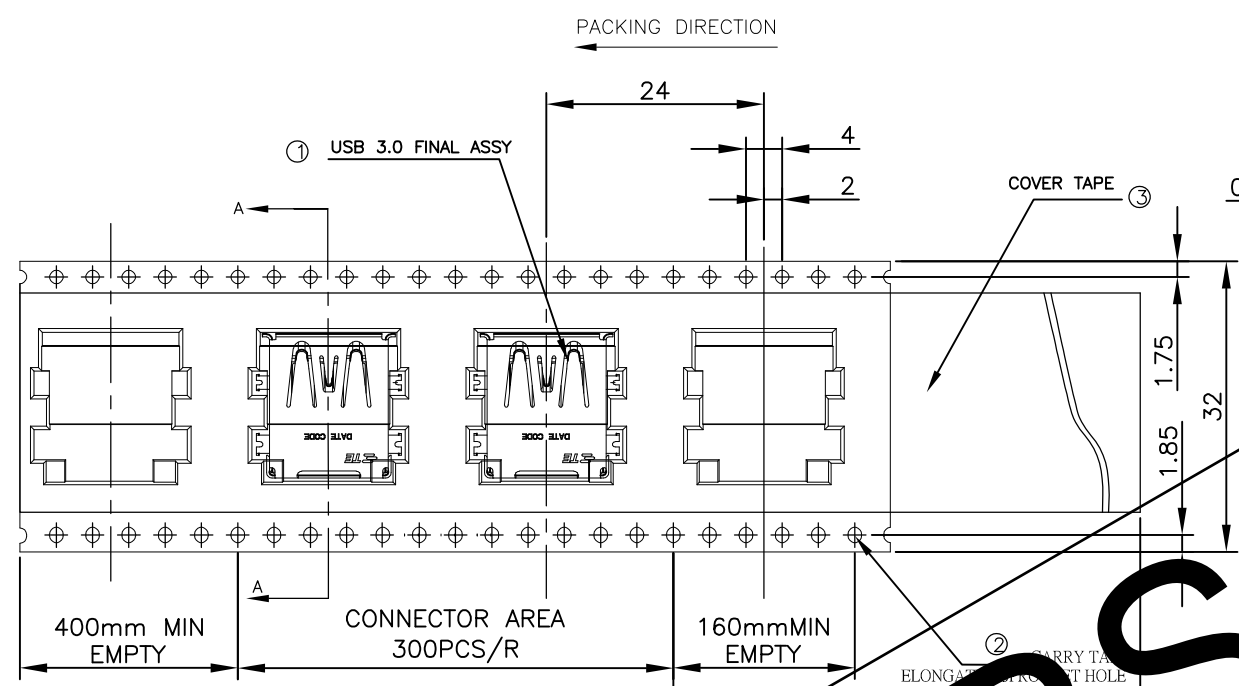
USB 3.0 TYPE A RECEPTACLE
REVERSE OFFSET TYPE

SIZE	CAGE CODE	DRAWING NO	RESTRICTED TO
A3	00779	C-1932847	-

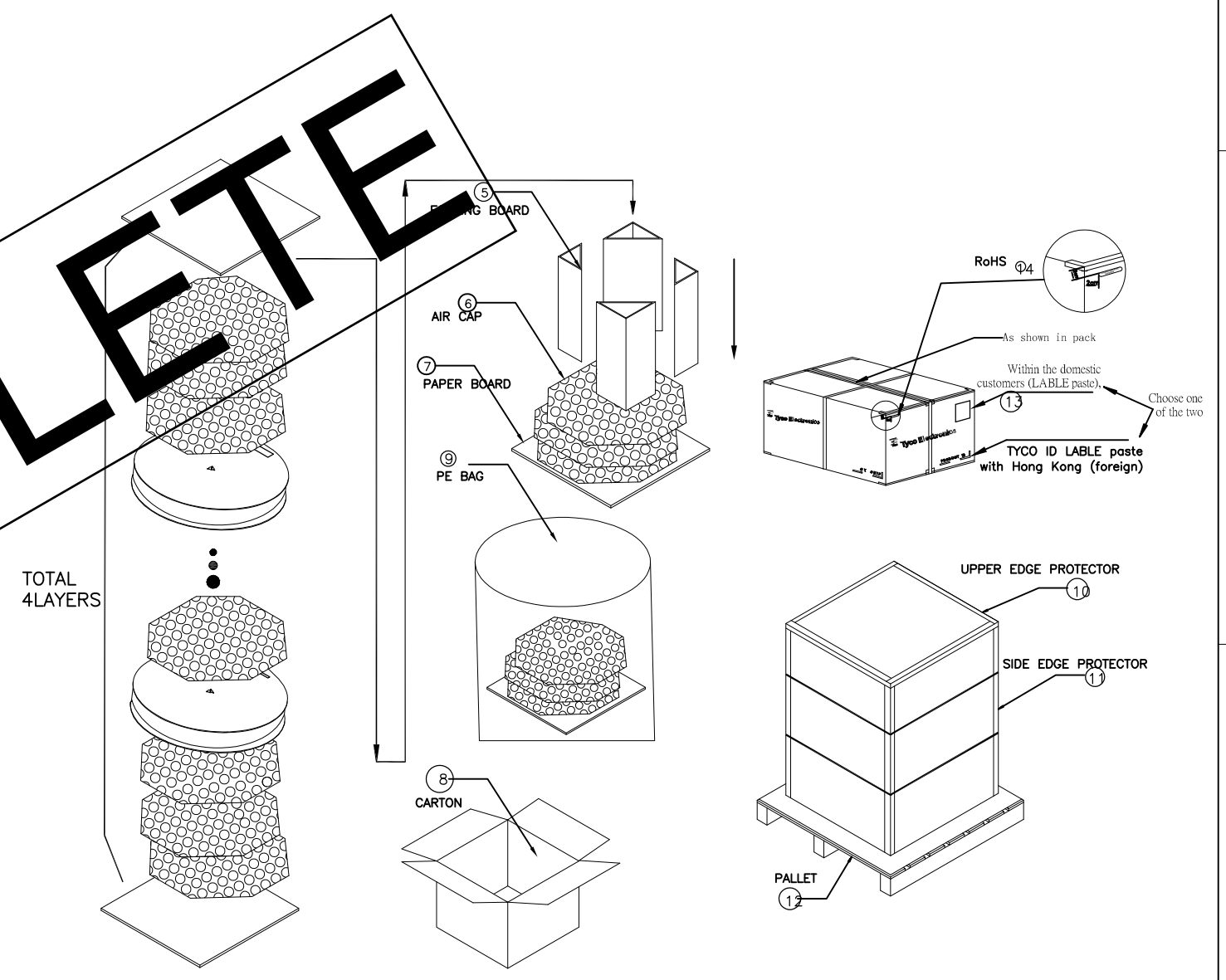
CUSTOMER DRAWING SCALE 4:1 SHEET 1 OF 2 REV A4

THIS DRAWING IS UNPUBLISHED. RELEASED FOR PUBLICATION
 © COPYRIGHT - By - ALL RIGHTS RESERVED.

LOC	DIST	REVISIONS					
ES	00	P	LTR	DESCRIPTION	DATE	DWN	APVD
		-		SEE SHEET 1	-	-	-



OBSCOLETE



TAPE REEL PACKAGE FOR 1932847-1,-2,-3

THIS DRAWING IS A CONTROLLED DOCUMENT.		DWN FRANCIS LEE 13MAY2011	TE Connectivity	
DIMENSIONS: mm		CHK MARTIN LI 13MAY2011		
TOLERANCES UNLESS OTHERWISE SPECIFIED:		APVD STEVEN YAO 13MAY2011	NAME	
0 PLC ± 0.35 1 PLC ± 0.35 2 PLC ± 0.35 3 PLC ± 0.35 4 PLC ± 0.1 ANGLES ± - MATERIAL - FINISH -		PRODUCT SPEC -	USB 3.0 TYPE A RECEPTACLE REVERSE OFFSET TYPE PACKING DRAWING	
		APPLICATION SPEC -	SIZE A3	CAGE CODE 00779
		WEIGHT -	DRAWING NO C-1932847	RESTRICTED TO -
CUSTOMER DRAWING			SCALE 4:1	SHEET 2 OF 2
			REV A4	