

RJ45 connector - CUC-IND-C1ZNI-S/R4QV6 - 1406335

Please be informed that the data shown in this PDF Document is generated from our Online Catalog. Please find the complete data in the user's documentation. Our General Terms of Use for Downloads are valid (<http://phoenixcontact.com/download>)




RJ45 connector, degree of protection: IP20, number of positions: 6, 100 Mbps, CAT5 (IEC 11801:2002), material: Zinc die-cast, connection method: IDC fast connection, connection cross section: AWG 26- 24, cable outlet: straight, High degree of resistance to vibration; 360° shielding; one-piece design; special tool-free assembly

Your advantages

- assembly without special tools
- One-Piece Design
- 360° shielding
- High shock and vibration resistance



Key Commercial Data

Packing unit	1 pc
GTIN	 4 046356 760713
GTIN	4046356760713

Technical data

Mechanical characteristics

Number of positions	6
Connection profile	RJ45
Insertion/withdrawal cycles	≥ 750
Connection method	IDC fast connection
Conductor cross section	4x 0.25 mm ² ... 0.34 mm ² (Data (solid and stranded))
	2x 0.32 mm ² (Power (solid and stranded))
Connection cross section AWG	4x 26 ... 24 (Data (solid and stranded))
	2x 23 ... 22 (Power (solid and stranded))
Max. cable diameter	5 mm ... 9 mm
External cable diameter	5 mm ... 9 mm
Cable outlet	straight

RJ45 connector - CUC-IND-C1ZNI-S/R4QV6 - 1406335

Technical data

Mechanical characteristics

Wire diameter including insulation	≤ 1.6 mm
Degree of protection	IP20
Type	RJ45, IP20
No. of cable outlets	1

Ambient conditions

Ambient temperature (operation)	-40 °C ... 70 °C
---------------------------------	------------------

Material data

Flammability rating according to UL 94	V0
Housing material	Zinc die-cast
Contact carrier material	PC
Contact material	Copper alloy
Contact surface material	Gold over nickel
Height	53 mm

Electrical characteristics

Number of positions	6
Nominal voltage U _N	48 V
Transmission speed	100 Mbps
Transmission characteristics (category)	CAT5 (IEC 11801:2002)
GRP transmission properties	CAT5 (IEC 11801:2002) CAT5 (IEC 11801:2002)
Transmission speed	100 Mbps
Frequency range	to 100 MHz
Rated current	1.75 A
Rated voltage (III/3)	72 V (DC)

Standards and Regulations

Flammability rating according to UL 94	V0
----------------------------------------	----

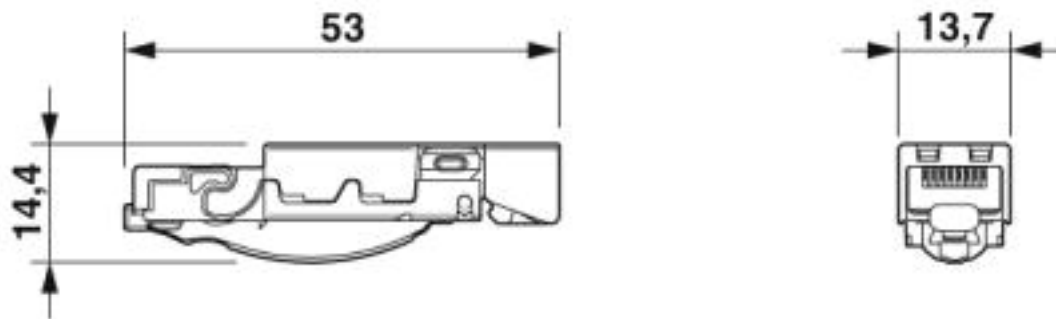
Environmental Product Compliance

China RoHS	Environmentally friendly use period: unlimited = EFUP-e
	No hazardous substances above threshold values

Drawings

RJ45 connector - CUC-IND-C1ZNI-S/R4QV6 - 1406335

Dimensional drawing



Approvals


Approvals


Approvals

cULus Recognized / EAC

Ex Approvals

Approval details

cULus Recognized  http://database.ul.com/cgi-bin/XYV/template/LISEXT/1FRAME/index.htm E335024-20170228	
Nominal voltage UN	56.5 V
Nominal current IN	0.175 A

EAC 	B.01742
-----------------------------------------------------------------------------------------	---------

Phoenix Contact 2019 © - all rights reserved
<http://www.phoenixcontact.com>

PHOENIX CONTACT GmbH & Co. KG
 Flachsmarktstr. 8
 32825 Blomberg
 Germany
 Tel. +49 5235 300
 Fax +49 5235 3 41200
<http://www.phoenixcontact.com>