

ESP-PROG

User Manual

Rev.1.0 May 2020

olimex.com

Table of Contents

What is ESP-PROG.....	3
ESP-PROG schematic.....	4
Revision History.....	5

What is ESP-PROG

ESP-PROG is USB to Serial converter which can be used as USB-UART bridge or programmer of ESP boards.

ESP-PROG has 0.1" header on top with these signals:

5V, EN, 3.3V, GND, TX, DCM, RX

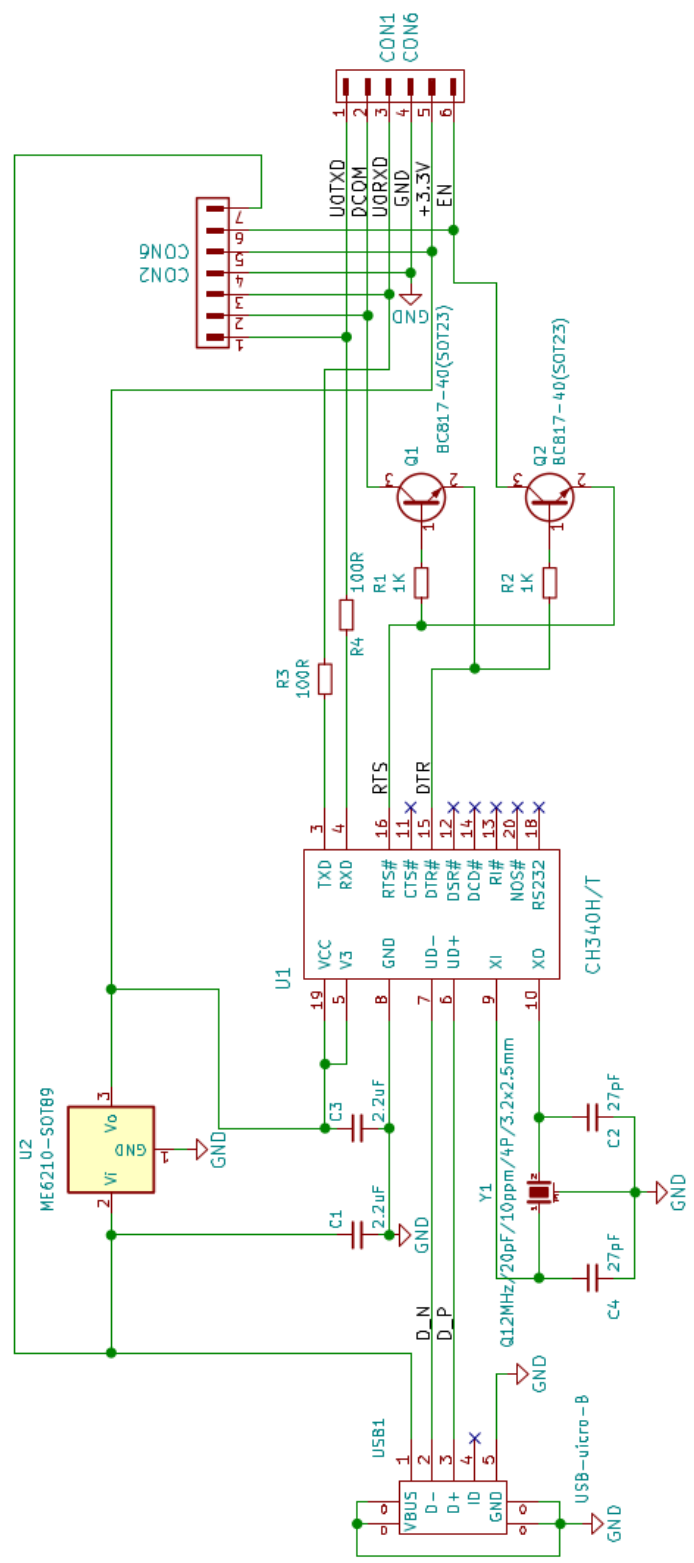
Same signals without 5V are available on 6 pin 0.05" step connector on the right side of the PCB (when look at top).



When you want to program ESP32 or ESP8266 board you have to connect:

- ESP-PROG.RXD to ESP32.U0TXD
- ESP-PROG.TXD to ESP32.U0RXD
- ESP-PROG.GND to ESP32.GND
- ESP-PROG.3.3V to ESP32.3.3V
- ESP-PROG.EN to ESP32.EN
- ESP-PROG.DCOM to ESP32.GPIO0 and ESP32.GPIO2

ESP-PROG schematic



Ordering options:

ESP-PROG - just the assembled and tested board

ESP-PROG-C – assembled and tested board with 7 Female-Female 200mm cables and ICSP 6 pin cable



Revision History

Revision 1.0 May 2020